



## SELF-SUSTAINING, BATTERY POWERED, SENSOR FAUCET

## Z6950-XL-S

TAG \_\_\_\_\_

## ARCHITECTURAL &amp; ENGINEERING SPECIFICATION

Zurn HYDRO-X Power sensor faucets are ideal for high-use applications where sustainable power, durability and hands-free operation are necessary. Self-sustaining hydropower with battery backup for ten years of trouble-free operation, ADA compliant, polished chrome-plated cast brass sensor faucet with infrared proximity sensor for retrofit and new construction.

Zurn Lead Free products (-XL) is the line of durable, high quality brass faucets and fixtures that are designed and manufactured to comply with Section 1417 of the Safe Drinking Water Act (SDWA) which mandates the weighted average lead content of no more than 0.25% of the wetted surface.

## PRODUCT FEATURES

- Self-Sustaining Hydropower for 10+ years operation
- Battery Backup
- Line Purge Mode (adjustable)
- Metering Mode (adjustable)
- 30 second Time Out Feature (adjustable)
- Infrared Convergence-Type Proximity Sensor
- Standard Chrome-plated Cast Brass Body
- In-line Filter
- Inlet for 1/2" Ball Riser

## COMPLIANCE AND CERTIFICATION

- Complies with ASME A112.18.1 / CSA B125.1
- ADA Compliant
- Lead Free Compliant



This device is WaterSense labeled when used with the appropriate flow rate and certified for residential and private restrooms.

## POWER SUPPLY CHOICES (SOLD SEPARATELY)

- ACA 6 VDC Plug-In Power Converter
- HW6 Hardwired Power Converter

## OPTIONAL POWER SUPPLY ACCESSORIES

- CWB Connector Wire for Hardwire Install (7 ft)
- MJ Mini Junction Box

NOTE: For Hardwire applications furnish P6000-HW6 power converter. Order P6000-HW6 power converter separately.

The P6000-HW6 and P6000-MJ will power up to 8 sensor faucets.

Hydropower assembly excluded on plug-in or hardwired faucet models.



## AERATOR OPTIONS

	FLOWRATE GPM [LPM]	VANDAL RESISTANT	WATERSENSE COMPLIANT	OUTLET TYPE
<b>-E</b>	1.5 [5.7]	☑	☑	Aerator
<b>-F</b>	0.5 [1.9]	☑		Spray
<b>-J</b>	1.5 [5.7]	☑	☑	Laminar
<b>-K</b>	1.0 [3.8]	☑	☑	Laminar
<b>-L</b>	1.0 [3.8]	☑	☑	Aerator
<b>-M</b>	0.35 [1.3]	☑		Spray
<b>-N</b>	0.5 [1.9]	☑		Laminar

## SUFFIX OPTIONS

- ADM Above Deck Mixer
- B Standard Battery Power Only
- CP4 Cover Plate 4"[102] Centers
- CP8 Cover Plate 8"[203] Centers
- H4 Wrist Blade handle for ADM
- MV Temperature Mixing Valve
- SH Supply Hoses for Mixing Valve
- TMV-1 Thermostatic Mixing Valve for Single Faucets

## ALTERNATE FINISHES

- BN Brushed Nickel

## ARCHITECTURAL &amp; ENGINEERING APPROVAL

The information contained in this document is subject to change without notice. Please contact Zurn for most up to date information.



HYDRO-X  
POWER

SELF-SUSTAINING, BATTERY POWERED, SENSOR FAUCET

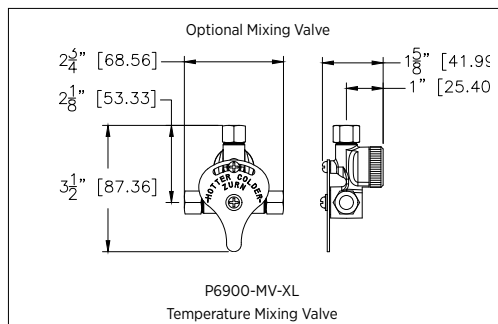
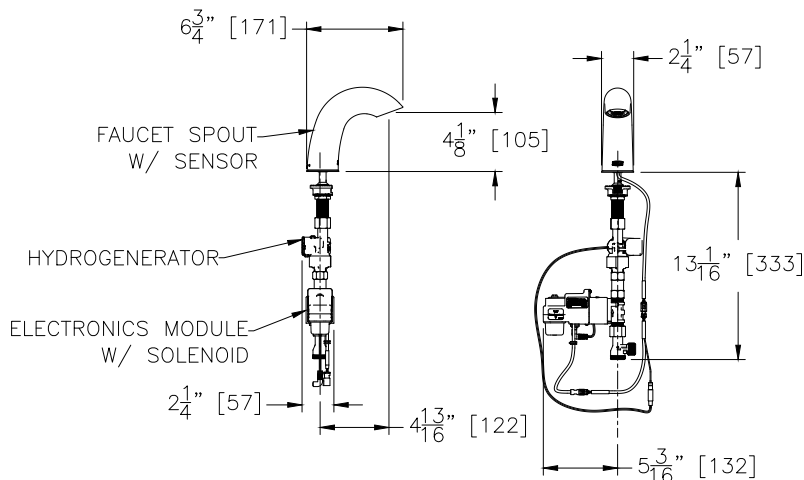
Z6950-XL-S

TAG

TYPICAL Z6950-XL-S

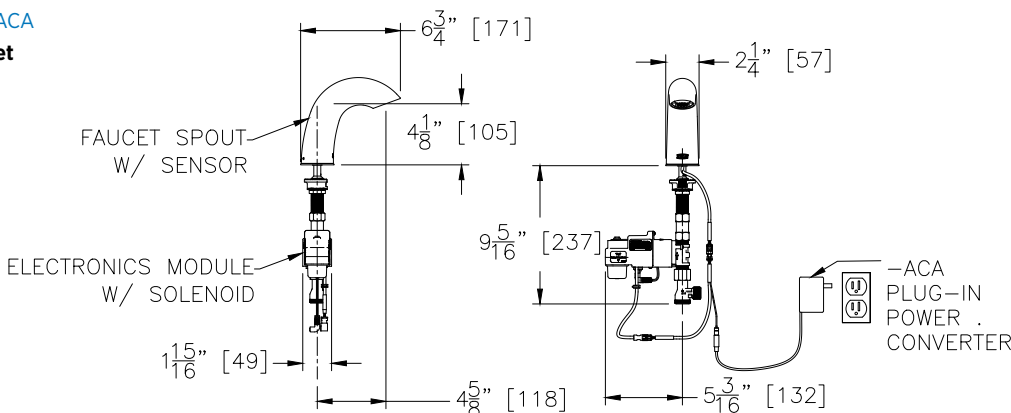
Self Sustaining Battery Powered Faucet

NOTE: Recommended through hole diameter to properly mount the spout/shank is 1-1/8" to 1-1/4".



TYPICAL Z6950-XL-S-ACA

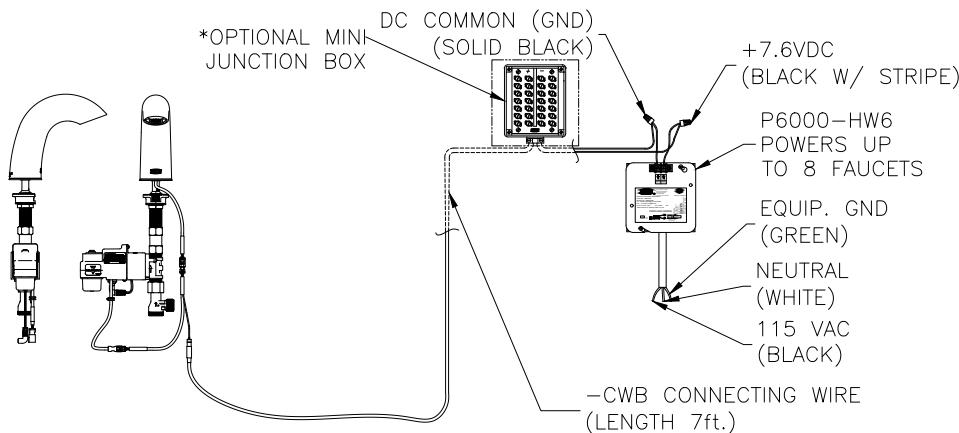
Plug-In Powered Faucet



TYPICAL Z6950-XL-S-CWB

Hardwire Powered Faucet

NOTE: Must use either ZURN P6000-HW6 hardwire power converter or ZURN P6000-ACA plug-in power converter to ensure proper operation. Using a power converter other than ZURN may result in operation malfunction or unit failure.



OPTIONAL: \* P6000-MJ mini junction box streamlines wiring for connecting up to 8 faucets to the P6000-HW6 power converter.