

**G02JAS11XX** Series Bariatric

Bariatric 12" antimicrobial vinyl coated grab bar. No maintenance 3mm thick antimicrobial vinyl coating. Concealed stainless steel 11-hole flange plate.

Mounting hardware supplied for wood stud installation.

**Product Data**

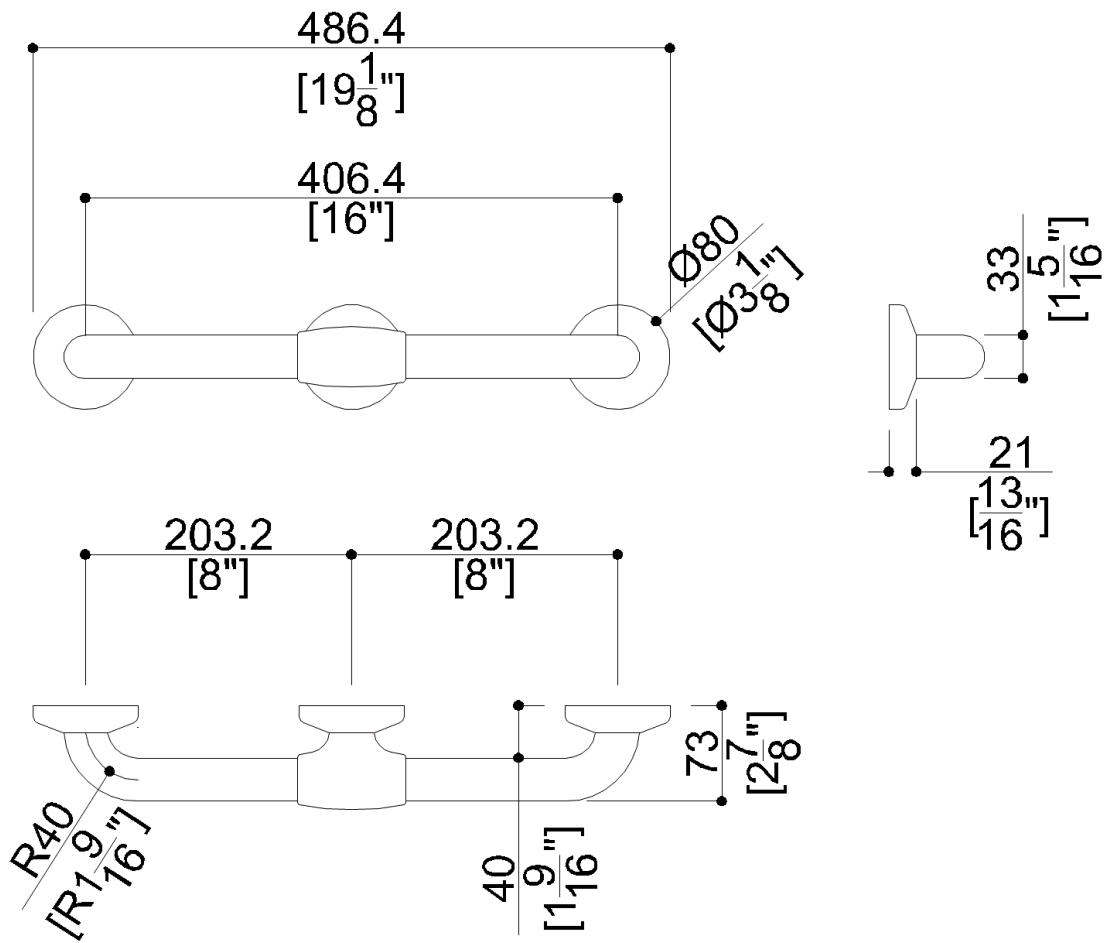
Overall Dimensions (Inch.)	19-1/8 x 2-7/8 x 3-1/8
Net Weight (lbs.)	2.87

**Installation Hardware Details**

Stainless steel screw	TSP 5x60 Inox
-----------------------	---------------

**Packaging Details**

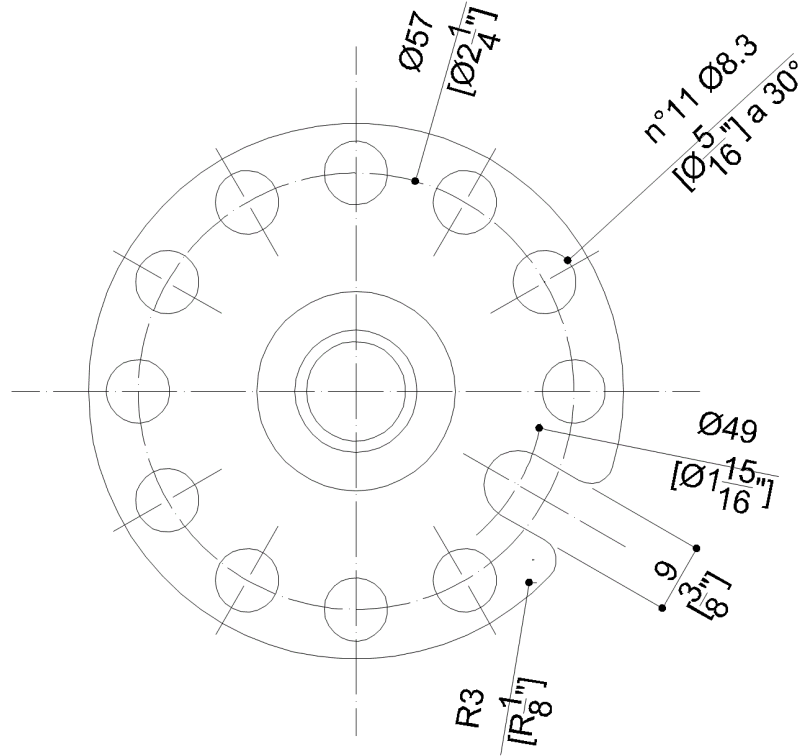
Package	LDPE bag in cardboard box
Package dimensions (Inch.)	19-11/16 x 3-1/2 x 3-11/16
Weight with Packaging (lbs.)	3.53



**G02JAS11XX** Series Bariatric

Y88JKS12

AISI 304 stainless steel fixing plate



**Available Finishes (xx)**

W1  
 White

**Load Capacity**

Vertical 1102 lbs.

**Warning**

Before installation and use, read the installation and use instructions in their entirety. If questions arise please contact Ponte Giulio company.

**Cleaning**

Product can be cleaned with a cloth and warm soapy water. Non abrasive, solvent free cleaners can also be used.

**Warranty**

Please visit [www.pontegiulio.com](http://www.pontegiulio.com) for complete warranty details.

**Materials and finishes**

Steel	Rough
Stainless Steel	Rough
Polyamide	Polished
Vinyl	Polished