

G02JAS01XX Series Maxima

12" straight grab bar, zinc-plated steel pipe, coated with 3mm anti-microbial vinyl, 11-hole concealed mounting flange.

Mounting hardware supplied for wood stud installation.

Product Data

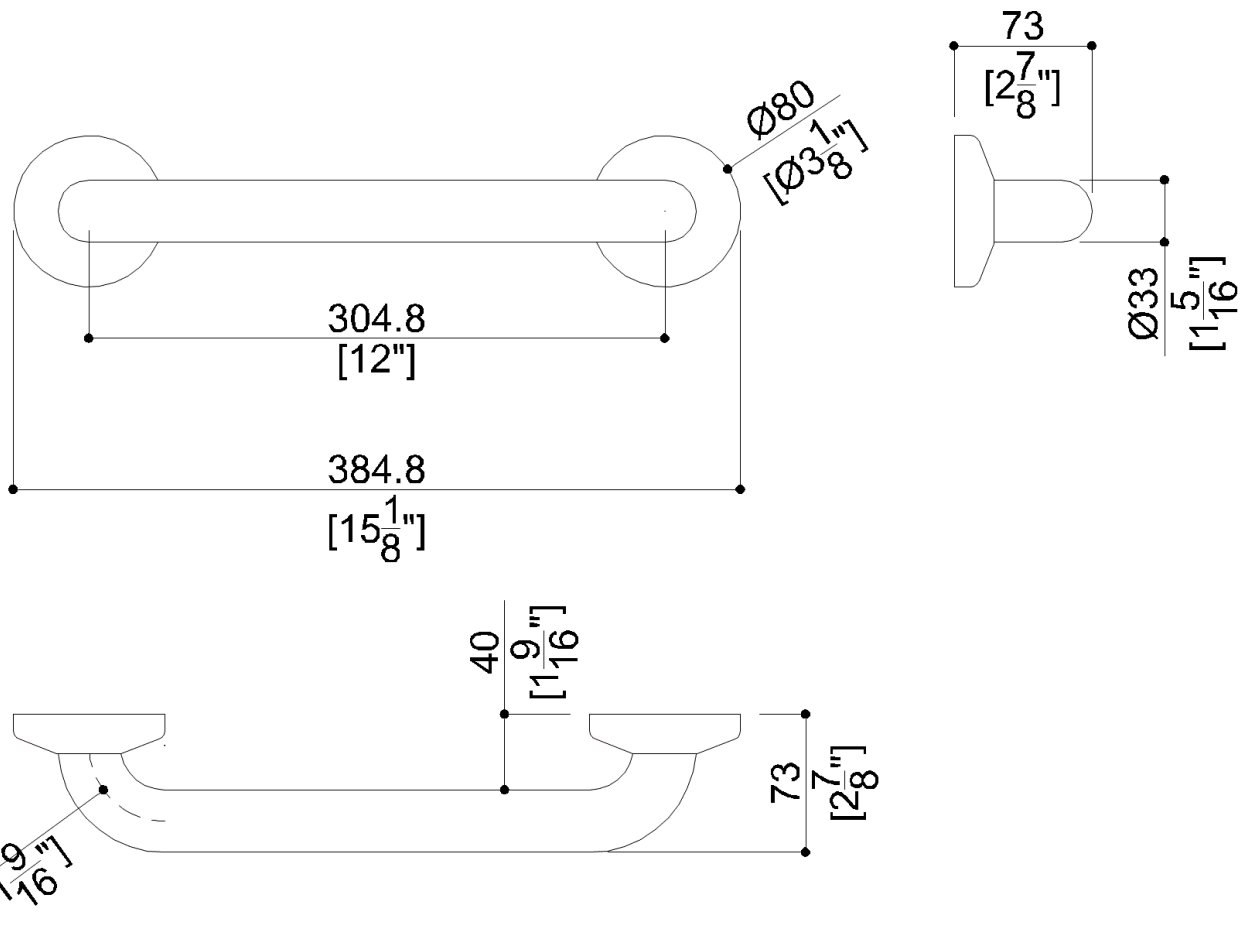
Overall Dimensions (Inch.)	15-3/16 x 2-7/8 x 3-1/8
Net Weight (lbs.)	2.2

Installation Hardware Details

Stainless steel screw	TSP 5x60 Inox
-----------------------	---------------

Packaging Details

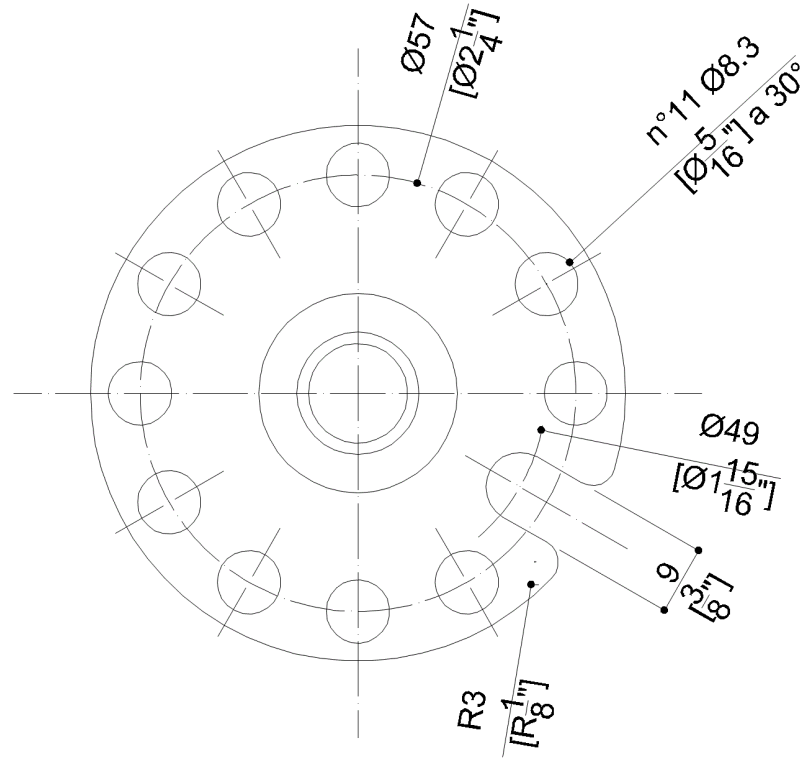
Package	LDPE bag in cardboard box
Package dimensions (Inch.)	15-3/8 x 3-1/2 x 3-11/16
Weight with Packaging (lbs.)	2.87



G02JAS01XX Series Maxima

Y88JKS12

AISI 304 stainless steel fixing plate



Available Finishes (xx)

B1 Blue	B2 Light blue	D1 Black
D2 Greystone	D4 Dark Gray	G1 Green
G2 Light Green	I1 Ivory	I2 Biscuit
P4 Prune	R1 Vivid Red	W1 White
Y1 Yellow Sun	Y3 Light Yellow	

Load Capacity

Vertical	1000 lbs.
----------	-----------

Warning

Before installation and use, read the installation and use instructions in their entirety. If questions arise please contact Ponte Giulio company.

Cleaning

Product can be cleaned with a cloth and warm soapy water. Non abrasive, solvent free cleaners can also be used.

Warranty

Please visit www.pontegiulio.com for complete warranty details.

Materials and finishes

Steel	Galvanised
Stainless Steel	Tumbled
Polyamide	Polished
Vinyl	Polished