

G02AOR02XX Series Maxima

Lifetime antimicrobial vinyl and stainless steel grab bar corner shelf. Grab bar rated load capacity. No maintenance
3mm thick antimicrobial vinyl coating.

Mounting hardware supplied for wood stud installation.

Product Data

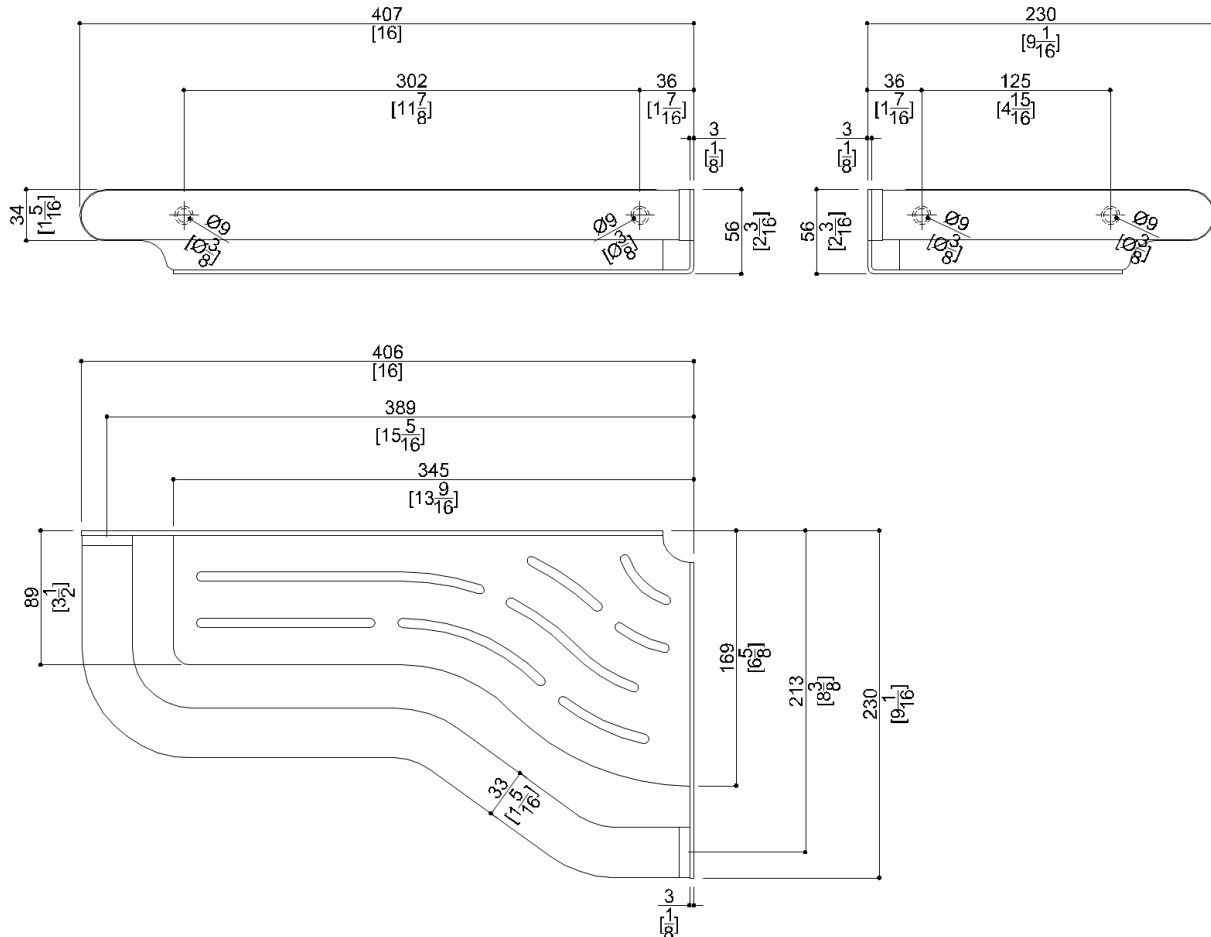
Overall Dimensions (Inch.)	16 x 9-1/16 x 2-3/16
Net Weight (lbs.)	5.95

Installation Hardware Details

Stainless steel screw and dowels	Fischer SX 8 6x70 Inox
----------------------------------	------------------------

Packaging Details

Package	LDPE bag in cardboard box
Package dimensions (Inch.)	16-7/8 x 4-5/16 x 17-1/8
Weight with Packaging (lbs.)	6.94





G02AOR02XX Series Maxima

Available Finishes (xx)

Shelf

N2
 Bright

Grab bar

D1  Black	D2  Greystone	I1  Ivory
I2  Biscuit	W1  White	

Materials and finishes

Stainless Steel	Polished
Steel	Galvanised
Vinyl	Polished

Load Capacity

Vertical 287 lbs.

Warning

Before installation and use, read the installation and use instructions in their entirety. If questions arise please contact Ponte Giulio company.

Cleaning

Product can be cleaned with a cloth and warm soapy water. Non abrasive, solvent free cleaners can also be used.

Warranty

Please visit www.pontegiulio.com for complete warranty details.