

C41FGM02XX Series Hotel

Curved stainless steel shower curtain rod, 72" long, round shape with rotating flange.

Mounting hardware supplied for wood stud installation. Optional accessories: Y87JSS03

Product Data

Overall Dimensions (Inch.) 72 x 9 x 3

Net Weight (lbs.)

Installation Hardware Details

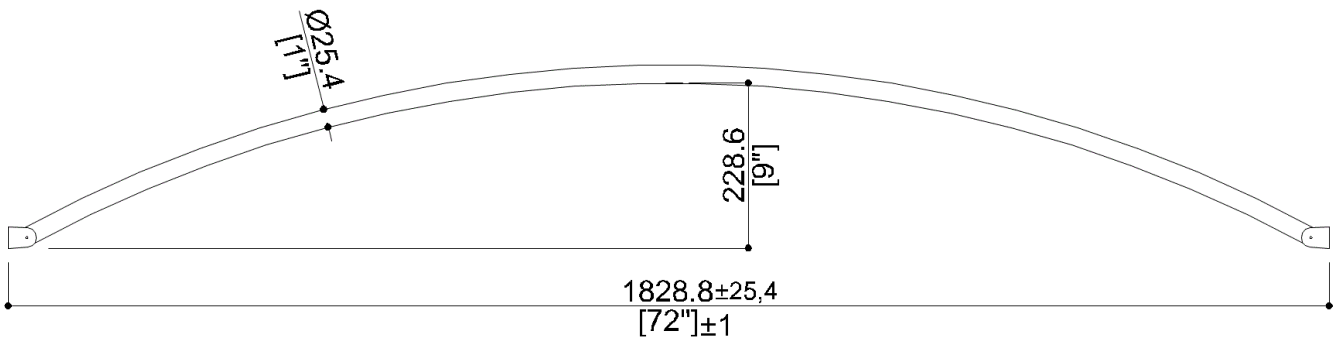
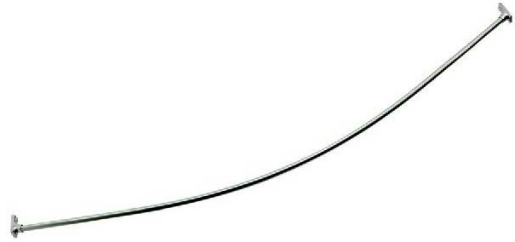
Stainless steel screw and dowels

Packaging Details

Package Cardboard package

Package dimensions (Inch.)

Weight with Packaging (lbs.)



C41FGM02XX Series Hotel

Available Finishes (xx)

- | | |
|--|---|
|  N1 Satin |  N2 Bright |
|--|---|

Materials and finishes

Zamak	Satin
Brass	Satin

Warning

Before installation and use, read the installation and use instructions in their entirety. If questions arise please contact Ponte Giulio company.

Cleaning

Product can be cleaned with a cloth and warm soapy water. Non abrasive, solvent free cleaners can also be used.

Warranty

Please visit www.pontegiulio.com for complete warranty details.