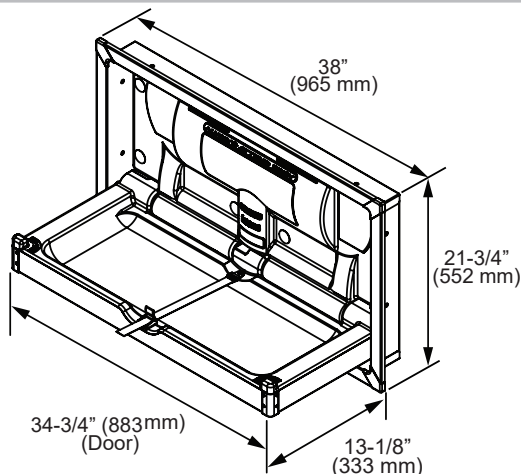
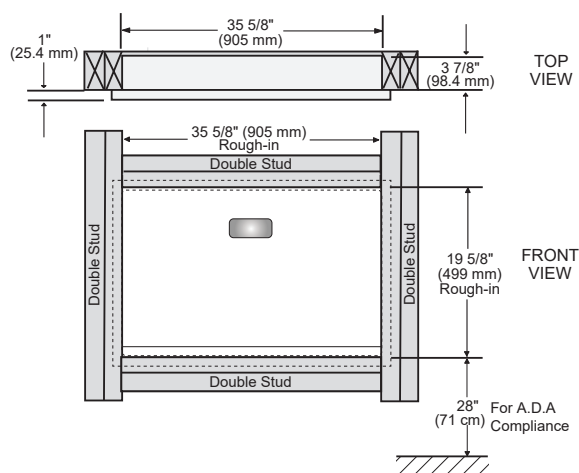




BABY CHANGERS MADE BY BABY EXPERTS.™



Recommended Blocking Recessed Mount



Installation Information

- 3.88" (98 mm) recessed into wall, 1" (25 mm) protrusion from wall.
- Rough-in opening 35.625" (905mm) wide x 19.625" (499 mm) high. Shim as required for tight fit on all 4 sides. Use side mounting holes.
- Open unit projects from wall 13-1/8" (333 mm).

Submittal Sheet

Model 100SSC-R Clad Stainless Steel Diaper Changing Station

- Polyethylene body with stainless steel exterior
- Easy to clean, high density polyethylene which is naturally bacteria resistant, beneath 304 brushed stainless steel encasement.
- Standard with molded-in dual liner dispensers.
- Each liner dispenser holds approximately 50 of the 036-LCR or 036-NWL liners.
- Smooth nylon belt with Thermoplastic Polyurethane coating. Easy to sanitize and adjustable with one hand.
- Convenient bag hooks clearly labeled on both sides
- Easy to read ANSI compliant labels (ANSI Z535.3 and ANSI Z535.4), utilizing universal safety symbols
- Compact, slim profile meets A.D.A. when properly installed. Only protrudes 4 inches or 102 mm from wall.
- Includes universal changing station door sign
- Pneumatic gas shock mechanism to ensure smooth, safe open and close motions.
- Includes easy to install, step-by-step instructions plus all mounting hardware
- ASTM G21 Anti-Fungal: No measurable fungal growth
- Meets or exceeds ASTM F2285 Safety Specifications for Commercial Changing Stations.
- Standard pack: 1 unit
- Limited Warranty: This product is warranted against manufacturing defects for a period of 5 years.

Short Specifications

Polyethylene Diaper Changing Stations with Stainless Steel Exterior:

1. Acceptable Products: Foundations Worldwide Inc. Model 100SSC-R (Clad Horizontal Recessed Mount).
2. Characteristics: Entire body 16 gauge, 304 brushed stainless steel, seamless welds.
3. Equipped with a pneumatic cylinder.
4. Smooth nylon belt with Thermoplastic Polyurethane coating. Easy to sanitize and adjustable with one hand.
5. Meets ASTM F2285 requirements for weight bearing changing stations.



| | |
|-------|----------------------------|
| 306.3 | Knee Clearance |
| 307.2 | Maximum Protruding Objects |
| 308.2 | Forward Reach |
| 308.3 | Side Reach |
| 309.4 | Operation |
| 902.3 | Work Surface |

Compliant when properly installed.

6. ANSI compliant safety labels
7. CPSIA compliant to applicable sections.