



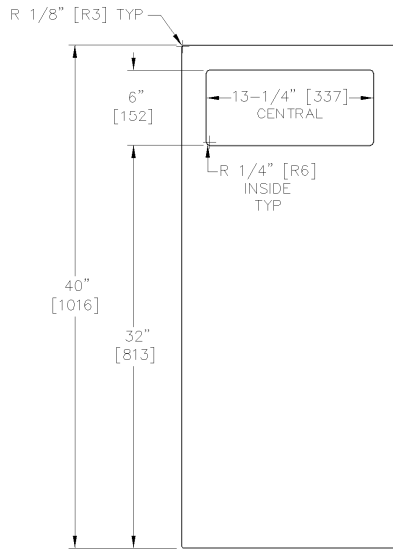
AMERICAN SPECIALTIES, INC.
 441 Saw Mill River Road, Yonkers, NY 10701
 (914) 476.9000 • (914) 476.0688
 www.americanspecialties.com

MODEL №: 6474-XX

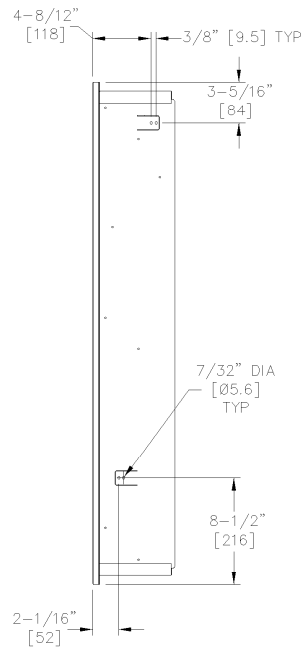
ISSUED: 20 DEC 2018

REVISED: 6 FEB 2019

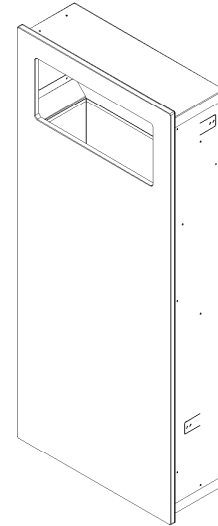
PIATTO™ COLLECTION WASTE RECEPTACLE



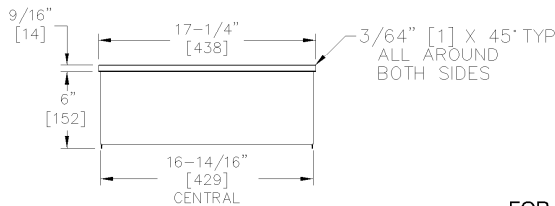
FRONT VIEW



SIDE VIEW



ISOMETRIC



BOTTOM VIEW

NOTE

ALL DIM'S INCH [MM]

ILLUSTRATION FOR REF ONLY AND NTS

FOR CLEANING INSTRUCTIONS SEE APPROPRIATE SECTIONS IN
 PRODUCT CARE & MAINTENANCE BULLETIN (PCM) ON ASI WEBSITE

SPECIFICATION

Piatto™ Collection Waste Receptacle shall have a waste capacity of 12 gallons (46 liters). Frame and cabinet shall be 20 gage type 304 alloy 18-8 stainless steel and shall have no exposed fastening devices. Flush face door shall be 1/2" [13] thick black edged Phenolic with matte black or white outer and inner surfaces as chosen by tail code on model number. Door shall be attached to the side of cabinet with three (3) zero-clearance concealed cabinet hinges and shall be held closed with a spring-pin L-latch. Structural assembly of all components shall be of welded construction. OM & IG shall be packed with unit. Installation set-back gage and depth stops shall be provided.

Piatto™ Collection Waste Receptacle shall be Model № 6474-XX (Replace -XX with -00 for White or -41 for Matte Black) of American Specialties, Inc., 441 Saw Mill River Road, Yonkers, New York 10701-4913

INSTALLATION

Mount unit in wall recess using four (4) № 10 x 1-1/2" [M5 x 38] self tapping Pan Head screws (by others) through concealed mounting holes provided. For compliance with 2010 ADA Accessibility Standards, install unit so that the center of the waste receptacle opening is 48" [1219] maximum above finished floor (AFF).

Finished Wall Opening (FWO) required is 17-5/16" [440] W x 40-1/16" [1018] H x 6-11/16" [170] D minimum

OPERATION

Waste is inserted through opening at upper section of unit. Waste container is emptied manually on cycle determined by maintenance needs.