



AMERICAN SPECIALTIES, INC.
 441 Saw Mill River Road, Yonkers, NY 10701
 (914) 476.9000 • (914) 476.0688
 www.americanspecialties.com

MODEL №: 64672-XX

ISSUED: 29 JAN 2019

REVISED: 11 FEB 2019

PIATTO™ COLLECTION THREE-IN-ONE PAPER TOWEL DISPENSER WITH WASTE RECEPTACLE AND AUTOMATIC ELECTRIC HAND DRYER INSTALLATION GUIDE (PG 1 of 5)

IMPORTANT: READ THESE INSTRUCTIONS COMPLETELY PRIOR TO BEGINNING INSTALLATION. SAVE FOR FUTURE REFERENCE.

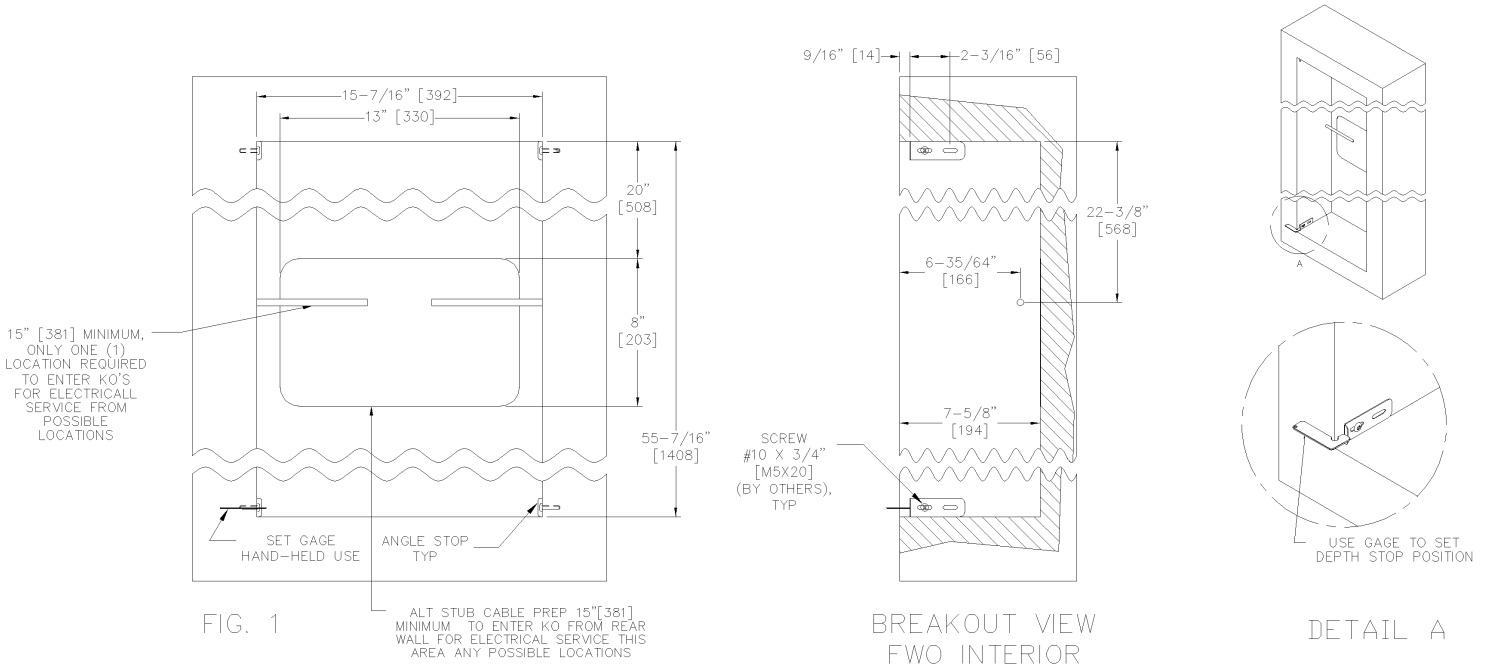
PREPARE FINISHED WALL OPENING (FWO)

Cabinet is designed to fit into FWO with 1/32" [0.8] operating clearance on all four (4) edges of door. Door is the same size as the frame flange. Cabinet is provided with two (2) electrical KO locations and one (1) large rear wall zone for AC power stub cable {15" [381] minimum} entry into FWO. One (1) port is provided behind dryer chassis KO for direct wiring (by others) for dryer unit. See TDS & OM for complete specifications and requirements. Any one (1) of the two (2) cabinet side KO locations and rear wall zone may be chosen to bring AC power into the cabinet when fitting cabinet to FWO. Minimum length stub cable will be just adequate to bring AC power through port in mounting plate and plastic bushing in matching KO in dryer chassis to terminal block inside dryer housing. There should be adequate in-wall blocking installed prior to FWO side walls completion to receive and hold cabinet mounting screws. Walls of the FWO must be flat, square, straight & plumb. The edges of the FWO at the finished wall are visible and constitute an appearance surface intersection.

Finished Wall Opening (FWO) required is 15-7/16" [392] W x 55-7/16" [1408] H x 7-5/8" [194] D minimum

INSTALLATION OF MOUNTING HARDWARE

Mount four (4) depth stops in FWO as per diagram on top and bottom of side walls at ceiling & floor lines using depth stop set gage p/n 1811051152. Depth stop set gage is designed to be held by hand while positioning each depth stop. Ensure front tab is set back from finished wall face by 9/16" [14] when securing screws. Secure depth stops with four (4) № 10 x 3/4" [M5 x 20] self-threading pan head screws (by others) through slots provided in depth stops. Retain depth stop set gage tool for future use with additional cabinets (Fig. 1).





AMERICAN SPECIALTIES, INC.
 441 Saw Mill River Road, Yonkers, NY 10701
 (914) 476.9000 • (914) 476.0688
 www.americanspecialties.com

MODEL №: 64672-XX

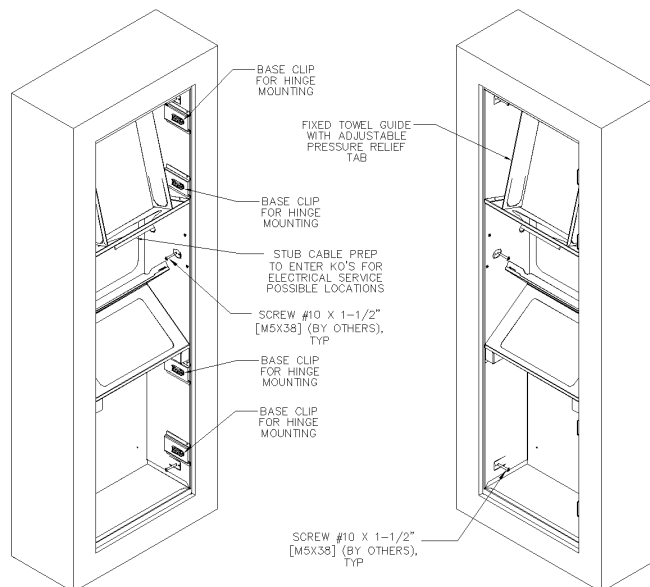
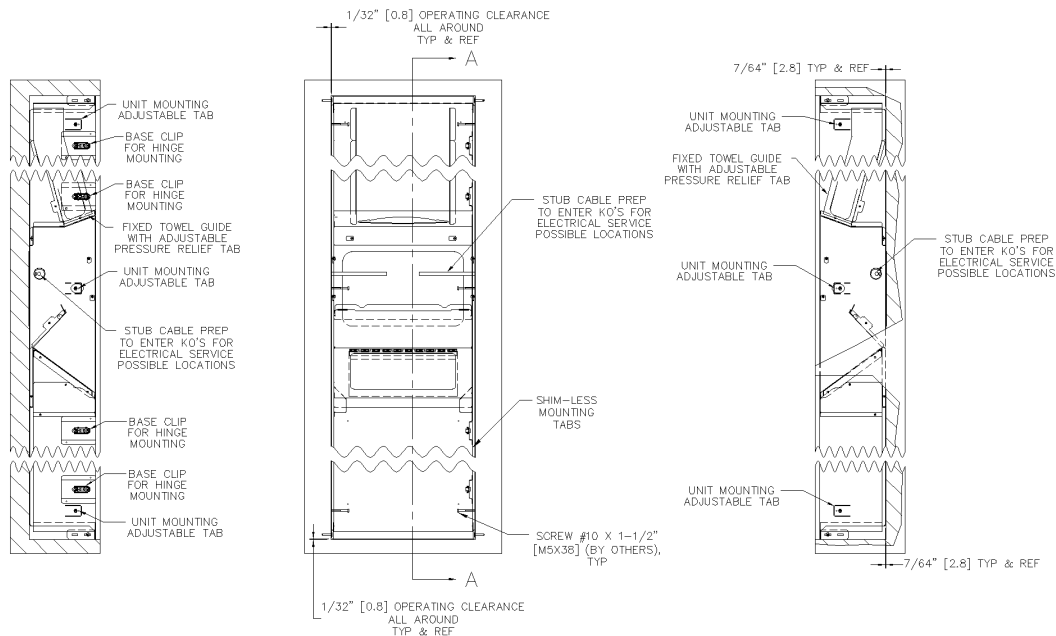
ISSUED: 29 JAN 2019

REVISED: 11 FEB 2019

PIATTO™ COLLECTION THREE-IN-ONE PAPER TOWEL DISPENSER WITH WASTE RECEPTACLE AND AUTOMATIC ELECTRIC HAND DRYER INSTALLATION GUIDE (PG 2 of 5)

INSTALLATION OF CABINET

Remove door from cabinet by lifting hinge clip release levers at back end of hinge arms. Remove WR from cabinet. Remove dryer cover housing panels for access to dryer. Remove dryer cover for access to chassis mounting screws. Remove dryer chassis and then remove dryer mounting plate for access to power wire entry points, KO's, rear wall and middle mounting tabs. Retain all screws and washers for reuse. Move door, WR, dryer housing panels, dryer unit cover, dryer chassis, mounting plate and hardware out of immediate work zone so they are protected from accidental damage. Dryer chassis should remain out of cabinet during installation until reinstalled onto reinstated mounting plate to bring power wire to terminal block. Position cabinet in FWO so flange is tight up against all four (4) depth stop tabs. Maintain 1/32" [0.8] operating clearance on all four (4) edges of door. Top and bottom spacing may be easily maintained by using 22 gage sheet metal (1/32" [0.8] thick) shims (by others) temporarily under frame edge at bottom. Side spacing will be self-adjusting and automatically self-centering as six (6) № 10 x 1-1/2" [M5 x 38] self-threading pan head screws (by others) are tightened into the pre-installed blocking through the holes provided in the adjustable shim-less mounting tabs as shown in the diagram (Fig. 2).





AMERICAN SPECIALTIES, INC.
 441 Saw Mill River Road, Yonkers, NY 10701
 (914) 476.9000 • (914) 476.0688
 www.americanspecialties.com

MODEL №: 64672-XX

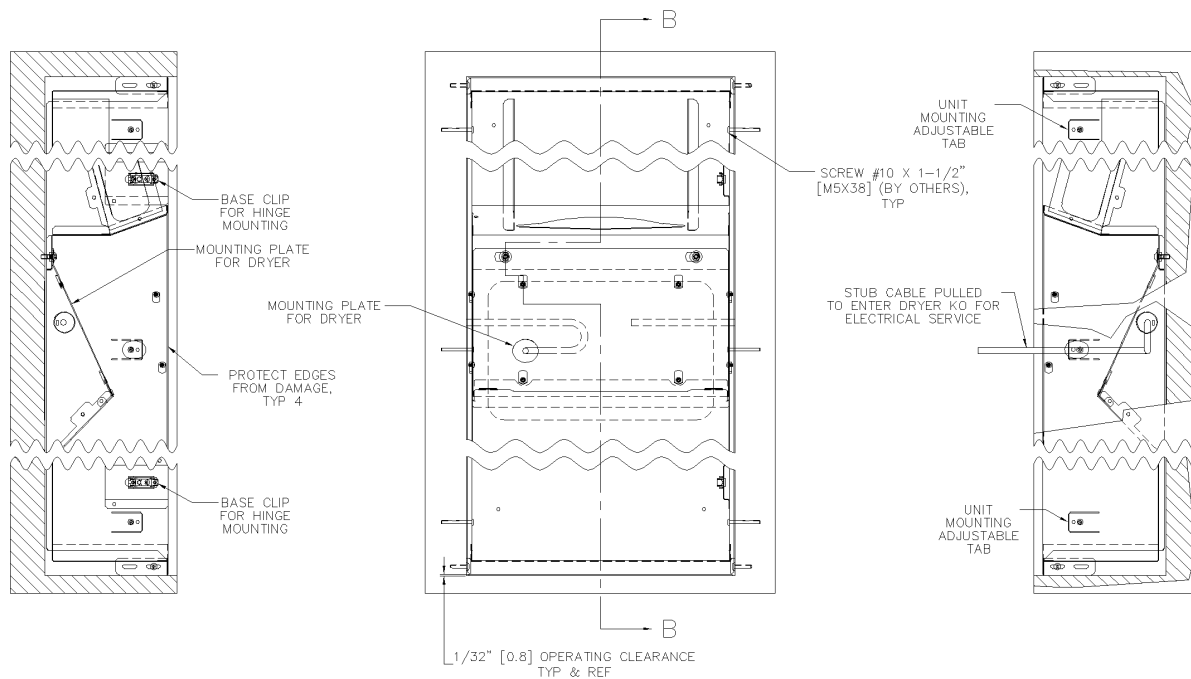
ISSUED: 29 JAN 2019

REVISED: 11 FEB 2019

PIATTO™ COLLECTION THREE-IN-ONE PAPER TOWEL DISPENSER WITH WASTE RECEPTACLE AND AUTOMATIC ELECTRIC HAND DRYER INSTALLATION GUIDE (PG 3 of 5)

COMPLETION OF INSTALLATION & CABINET REASSEMBLY

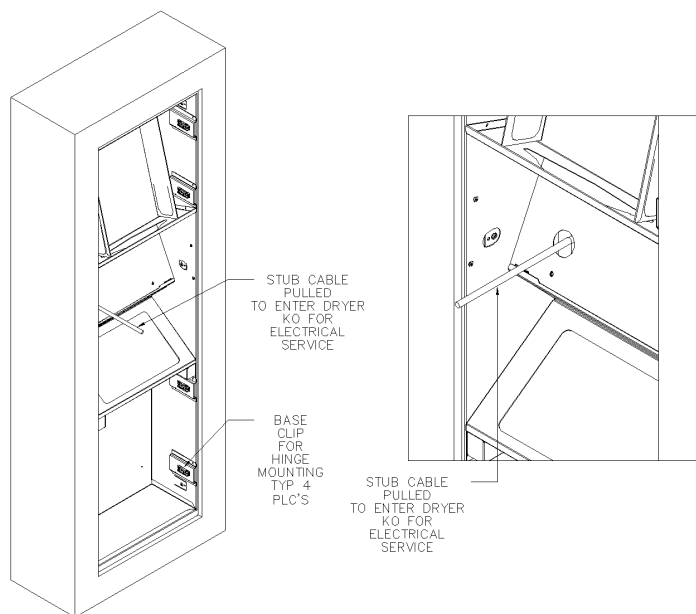
Reinstall dryer mounting plate with stub cable pulled to feed through plastic bushing in matching location KO in dryer chassis (Fig 3). Reinstall dryer chassis and pull power cable through plastic bushing to terminal block. Complete AC power wiring (by others) for dryer unit (Fig. 4). Reinstall dryer unit cover (Fig. 5) and dryer housing covers (Fig. 6). Reconnect door hinges to base clips by engaging retain-er bar under arm front with hooks on front of clip and then pressing arm against wall until snap-click is heard. Ensure that door operating clearance and alignment is still correct by adjusting cabinet hinges with adjustment screws provided on arm and base clip if necessary (Fig. 7). Ensure that latch engages with keeper when door is closed. Slight hinge readjustment may be required to achieve smooth release and latching operation. Position WR into cabinet. Load C-fold or Z-fold paper towels correctly as per diagram on unit label. Retain these instructions and Dryer OM for future reference. Clean packaging debris from area.



SECTION B-B

FIG. 3

BREAKOUT VIEW FWO/CABINET INTERIOR





AMERICAN SPECIALTIES, INC.
 441 Saw Mill River Road, Yonkers, NY 10701
 (914) 476.9000 • (914) 476.0688
 www.americanspecialties.com

MODEL №: 64672-XX

ISSUED: 29 JAN 2019

REVISED: 11 FEB 2019

PIATTO™ COLLECTION THREE-IN-ONE PAPER TOWEL DISPENSER WITH WASTE RECEPTACLE AND AUTOMATIC ELECTRIC HAND DRYER INSTALLATION GUIDE (PG 4 of 5)

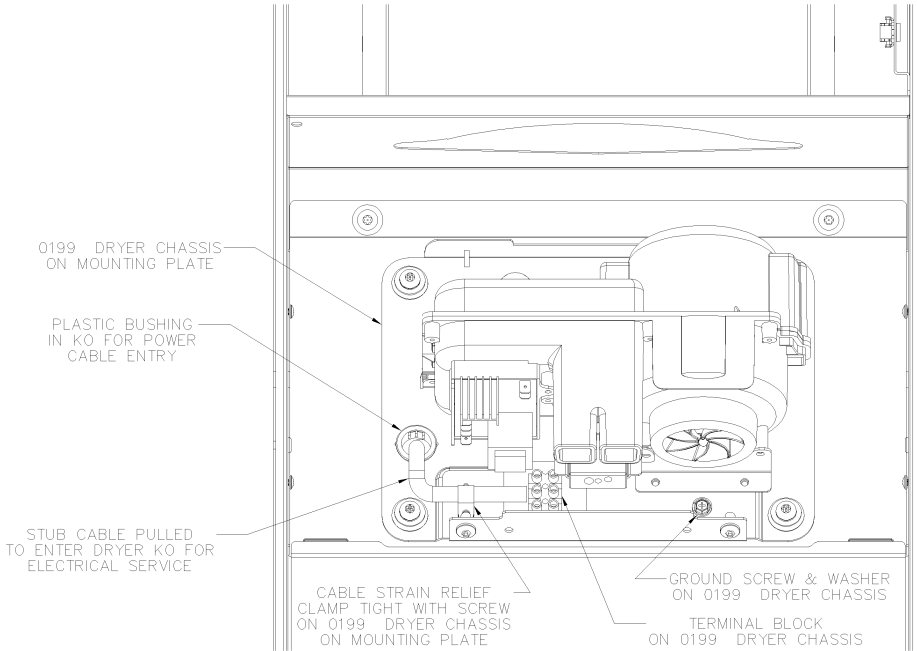


FIG. 4

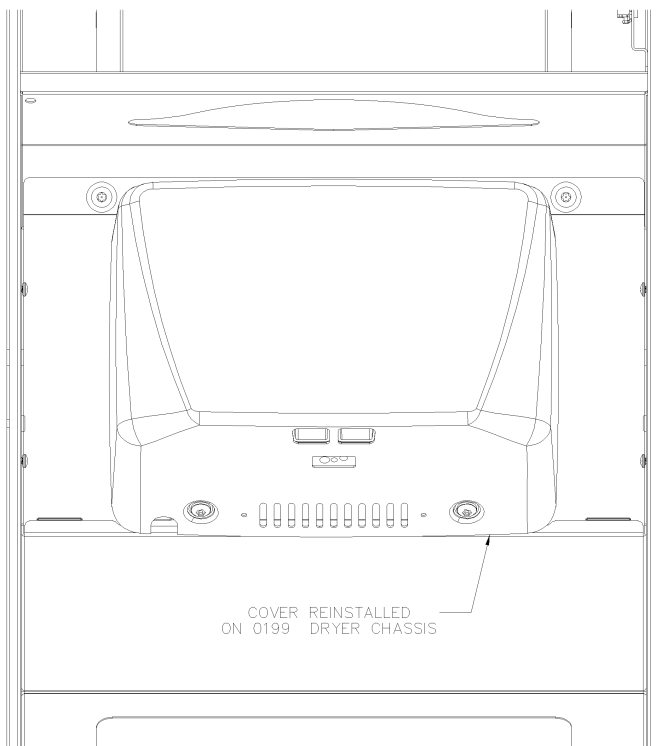


FIG. 5

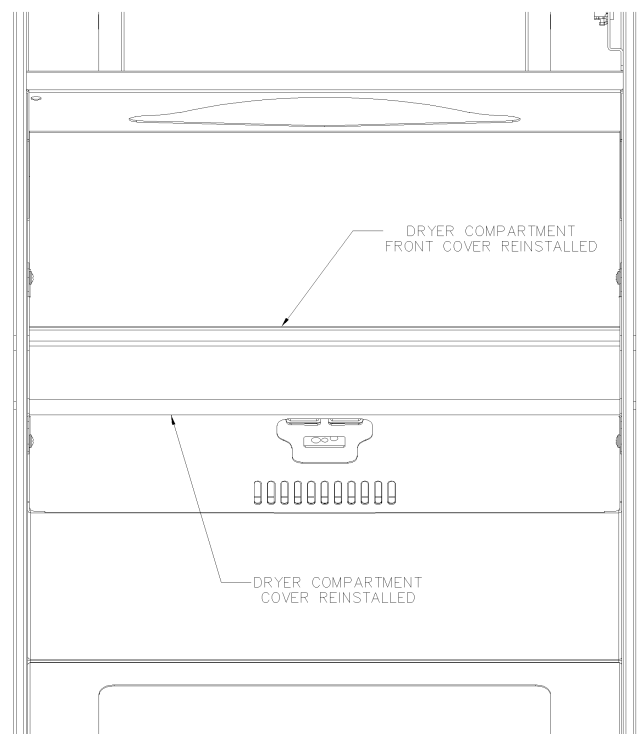


FIG. 6



AMERICAN SPECIALTIES, INC.
 441 Saw Mill River Road, Yonkers, NY 10701
 (914) 476.9000 • (914) 476.0688
 www.americanspecialties.com

MODEL №: 64672-XX

ISSUED: 29 JAN 2019

REVISED: 11 FEB 2019

PIATTO™ COLLECTION THREE-IN-ONE PAPER TOWEL DISPENSER WITH WASTE RECEPTACLE AND AUTOMATIC ELECTRIC HAND DRYER INSTALLATION GUIDE (PG 5 of 5)

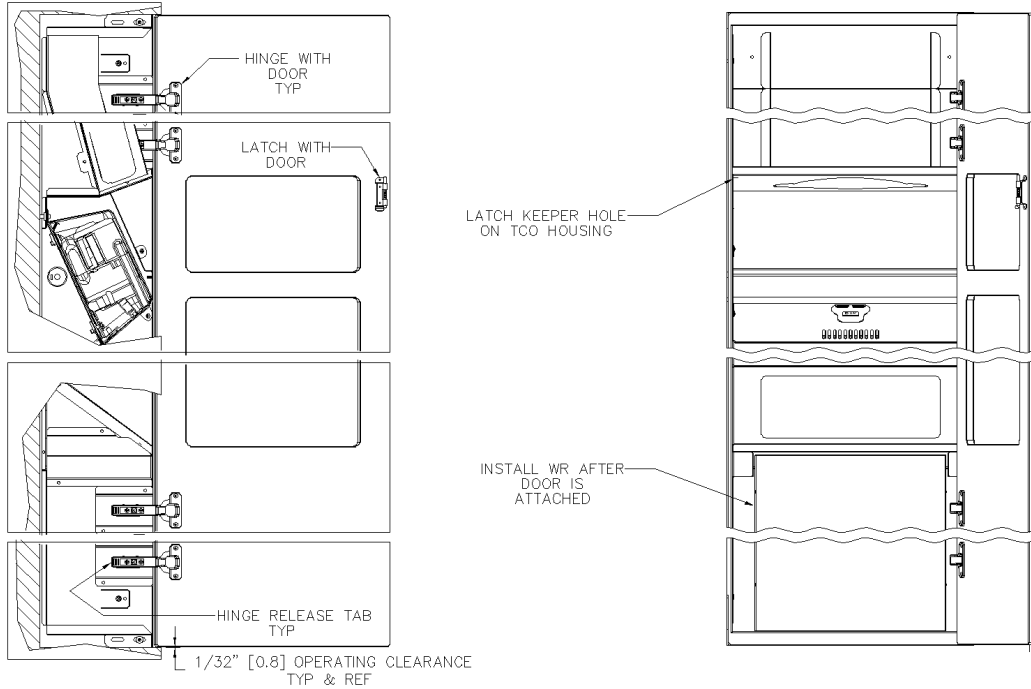


FIG. 7

BREAKOUT VIEW
 FWO INTERIOR

