

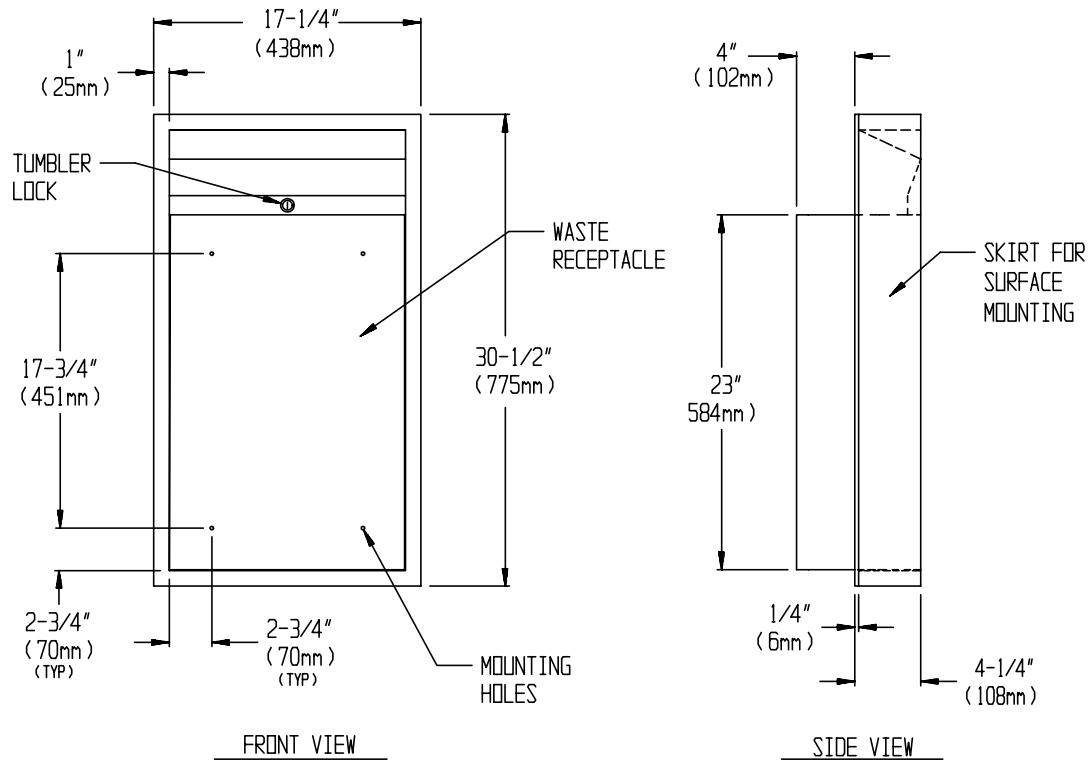

AMERICAN SPECIALTIES, INC.

441 Saw Mill River Road, Yonkers, NY 10701 (914) 476-9000

 MODEL No: **0458-9**

ISSUED: 1-87

REVISED: 9-04

SURFACE MOUNTED PAPER TOWEL DISPOSAL

SPECIFICATION

Surface Mounted Paper Towel Disposal Unit shall have a waste capacity of 12 gal (46 litres). Frame, waste container and cabinet shall be fabricated of alloy 18-8 stainless steel, type 304, 22 gauge. Waste container shall have hemmed edges for safety and shall be retained by a tumbler lock keyed alike to other ASI washroom equipment. Face trim shall be 1" (25.4mm) wide formed from one piece with no mitres, welding or open seams and have 1/4" (6.35mm) square return to wall. Structural assembly of all components shall be of welded construction. All exposed surfaces shall be N° 4 satin finish and be protected during shipment with a PVC film easily removable after installation. Unit shall be supplied with SM collar to convert to surface mounting.

Surface Mounted Paper Towel Disposal shall be Model N° 0458-9 as manufactured by American Specialties, Inc., 441 Saw Mill River Road, Yonkers, New York 10701-4913

INSTALLATION

Unit is surface mounted to wall using N° 10 self tapping screws (by others) through concealed mounting holes provided. For compliance with ADA Accessibility Guidelines, unit should be installed so that waste receptacle rim is 54" (1372mm) maximum above finished floor (AFF) if clear floor side reach access is provided or 48" (1219mm) maximum AFF if clear floor forward reach access only is provided. SM collar is installed on cabinet prior to mounting on wall following procedure described on SM Collar Data Sheet.

OPERATION

Waste container is emptied manually on cycle determined by maintenance requirements. Keyed tumbler lock prevents unauthorized removal.

Accessory Specialties

AMERICAN DISPENSER

Desert Ray Products

WATROUS INC.