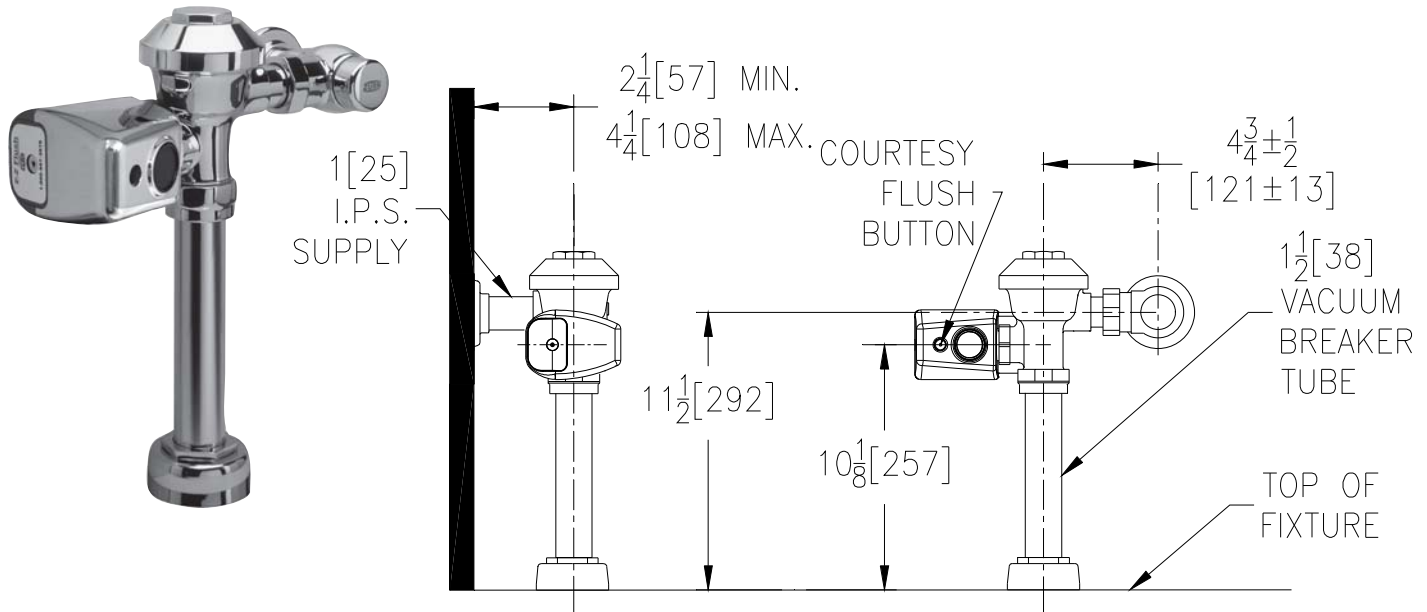




# Exposed ZER6000AV-HET-CPM Model Sensor Operated Battery Powerd Flush Valve For Water Closets



### Suffix Options (Check/Specify Appropriate Options)

- LOB Less Over-ride Button
- YJ Split Ring Pipe Support
- YK Solid Ring Pipe Support
- YO Bumper On Angle Stop
- Other

**ENGINEERING SPECIFICATION: ZURN ZER6000AV-HET-CPM AquaVantage 'AV' Exposed Closet Flush Valve -** Exposed, quiet diaphragm-type, chrome plated flushometer valve with a polished exterior. Complete with Zurn's 1.28 gpf AquaVantage® TPE, chloramine resistant, dual seal diaphragm with a clog resistant, filtered by-pass. The valve incorporates a 6VDC motor actuator, a battery powered automatic sensor, high impact resistant polycarbonate housing and chrome plated metal cover with vandal resistant ABS manual override push button and 10 degree angled sensor, high back pressure vacuum breaker, one piece hex coupling nut, adjustable tailpiece, spud coupling and flange for top spud connection. Control stop has internal siphon-guard protection, vandal resistant stop cap, sweat solder kit, and a cast wall flange with set screw. Internal seals are made of chloramine resistant materials.

This space is for Architectural/Engineering Approval

The information contained in this document is subject to change without notice.  
Please contact Zurn for most up to date information.

ZURN INDUSTRIES, LLC. ♦ COMMERCIAL BRASS OPERATION ♦ 5900 ELWIN BUCHANAN DRIVE ♦ SANFORD NC 27330

Phone: 1-800-997-3876 ♦ Fax: 919-775-3541 ♦ World Wide Web: www.zurn.com

In Canada: ZURN INDUSTRIES LIMITED ♦ 3544 Nashua Drive ♦ Mississauga, Ontario L4V1L2 ♦ Phone: 905-405-8272 Fax: 905-405-1292