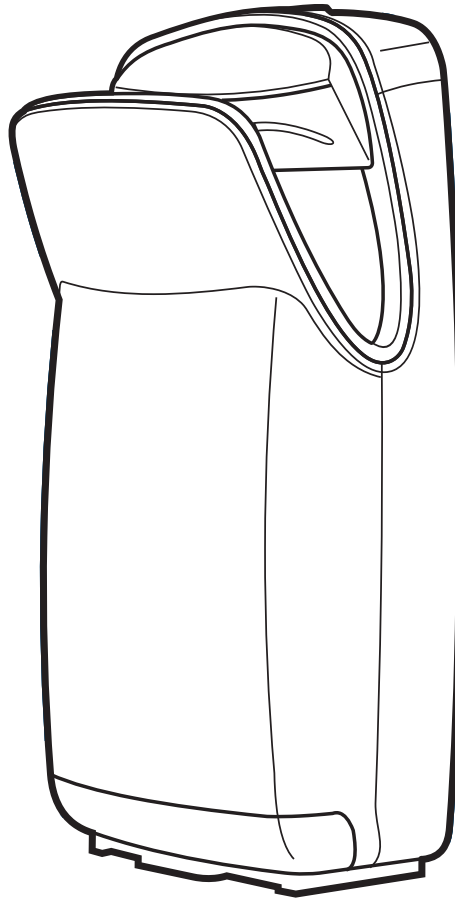


VMax® V2

High-Speed Vertical Hand Dryer

Secamanos vertical de alta velocidad • Sèche-mains vertical haute vitesse

 V-649A



Please read and save these instructions. Read carefully before attempting to assemble, install, operate or service the product described. Protect yourself and others by observing all safety information. Failure to comply with instructions could result in personal injury and/or property damage. Retain instructions for future reference.

Por favor lea y guarde estas instrucciones. Léelas cuidadosamente antes de tratar de montar, instalar, operar o dar mantenimiento al producto aquí descrito. Protéjase usted mismo y a los demás observando toda la información de seguridad. No seguir las instrucciones puede ocasionar daños, tanto corporales como materiales. Guarde estas instrucciones para referencia en el futuro.

Lire et conserver ces instructions. Les lire attentivement avant de commencer à assembler, à installer, à faire fonctionner ou à entretenir l'appareil décrit. Pour se protéger et protéger autrui, observer toutes les consignes de sécurité. Négliger de se conformer à ces instructions peut causer des blessures personnelles et/ou des dommages matériels. Conserver ces instructions pour références ultérieures.



World Dryer Corporation

340 County Line Road
Bensenville, IL 60106 U.S.A.

800-323-0701


www.worlddryer.com

Description

World air hand dryer is a surface-mounted dryer powered by a brushless DC motor, and delivers 1000 watts of drying power. The dryer incorporates a replaceable HEPA filter and replaceable odor neutralizing tablet. An infrared sensor is used to automatically activate the dryer. These models are intended for use in commercial, industrial, office and public facility environments.

Electrical Specifications

Table 1

Models	Type	Electrical Input	Rated Amperage	Watts	Certifications
V-649A	Automatic	120V, 60 Hz	10 A	1000	

General Safety Information

⚠ DANGER Failure to disconnect the power source before installation or servicing can result in serious injury or death from electric shock.

- Always disconnect the power source before servicing or installing the hand dryer.

⚠ WARNING Risk of fire, electric shock, personal injury or property damage are possible if local codes, or safety recommendations are not followed.

- Use only for drying hands as intended by the manufacturer. Do not use hand dryer for any purpose other than drying hands.
- Carefully follow all instructions for installation on the enclosed mounting template / instructions.
- Installation should only be performed by qualified persons in compliance with all applicable national and local codes and standards.
- When cutting or drilling into wall or ceiling, do not damage electrical wiring and other hidden utilities.
- Always connect to a branch circuit with circuit breaker or fuse protection with an electrical rating greater than the model hand dryer's rated amperage shown in Table 1 - Electrical Specifications in accordance with national and local electrical codes.
- Use only the electrical power (voltage and frequency) specified for the model hand dryer being installed. See Table 1 - Electrical Specifications
- To limit a voltage drop, and insure efficient operation, use 14 AWG wire or larger as required by local electrical codes.
- Each hand dryer must have a dedicated circuit.
- For indoor use only. Do not use outdoors. Do not expose to rain, sun or extreme temperatures. Do not use near sources of water or extreme heat.
- Repair work should only be performed by an authorized service representatives.
- This appliance is not intended for use by persons (including children) with reduced physical, sensory or mental capabilities, or lack of experience and knowledge, unless they have been given supervision or instruction concerning use of the appliance by a person responsible for their safety.

⚠ WARNING Risk of fire, electric shock, personal injury or property damage are possible if the following safety precautions are not followed.

- Do not use hand dryer for any purpose other than drying hands.
- Repair work should only be performed by an authorized service representatives. Only use genuine replacement parts.
- Do not insert foreign objects in or on the unit.
- Do not place heavy objects on the unit.
- Do not use in corrosive environments.
- Do not use in explosive atmospheres.
- Do not use in extremely humid locations or near sources of water.
- Do not immerse appliance in water or other liquid.
- Children should be supervised not to play with the appliance.
- Disconnect from the power supply before servicing.

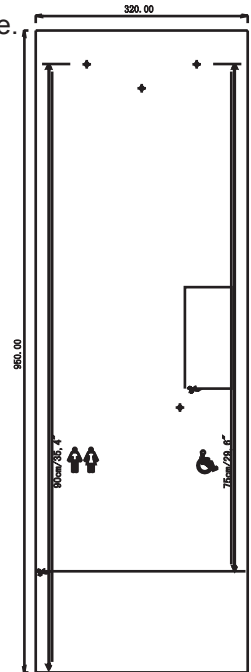
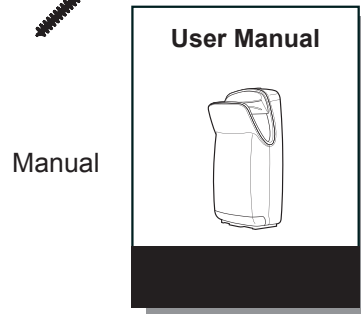
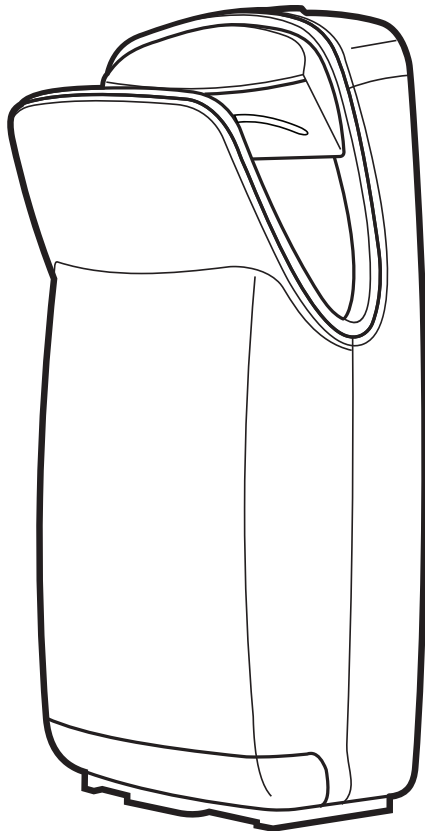
⚠ WARNING When you dispose of an old appliance or any components, follow any local and national laws on disposal of electronic waste. This appliance must not be disposed together with the domestic waste. This appliance has to be disposed at an authorized place for recycling of electrical and electronic appliances. By collecting and recycling waste, you help save natural resources, and make sure the product is disposed in an environmental friendly and healthy way.

⚠ WARNING Cancer and Reproductive Harm - www.p65warnings.ca.gov

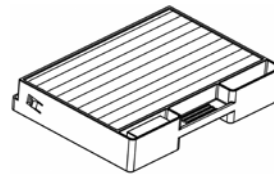
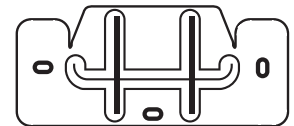
Unpacking / Standard Accessories

1. Remove all packing material. Recycling is recommended.
2. Carefully remove the hand dryer from the shipping carton, using care not to drop the appliance.
3. Inspect carefully for any damage that may have occurred during transit. Check for any loose, missing or damaged parts. If the hand dryer is damaged or missing parts, promptly inform the dealer where you purchased it.

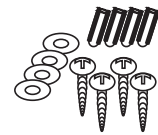
Standard items included with the hand dryer are:



Installation Template



HEPA Filter Cartridge with Odor Neutralizing Tablet

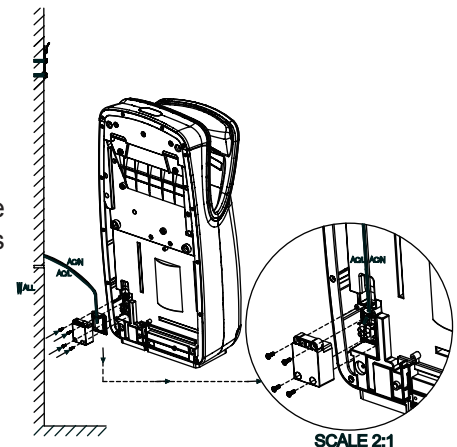


Wall Mounting Bracket with mounting anchors

Installation

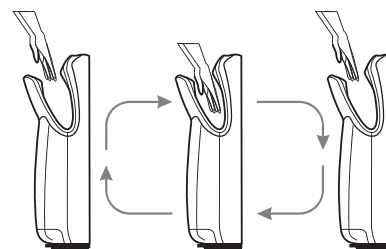
CAUTION Improper mounting could result in personal injury or property damage.

1. Use the mounting template provided to mark the locations for the (4) wall mounting anchors to attach the wall mounting bracket to the wall.
2. It is recommended that at least 1 of the 4 mounting anchors for the unit be fastened into a wall stud or support.
3. To use the hollow wall anchors included with the wall mounting kit, pre-drill the wall in the marked locations using a 5/16" (8mm) drill, insert the plastic anchors and tap flush to the wall.
4. Complete the attachment of the wall mounting bracket to the wall with the (4) mounting anchors using a No. 25 torx screwdriver.
5. Hang the hand dryer on the bracket. Remove water collection tray from bottom of dryer, and complete the attachment of the dryer with the 4th anchor.
6. Connect power supply wiring to terminal block and secure Power Supply Cover
7. Replace the water collection tray.



How to Use

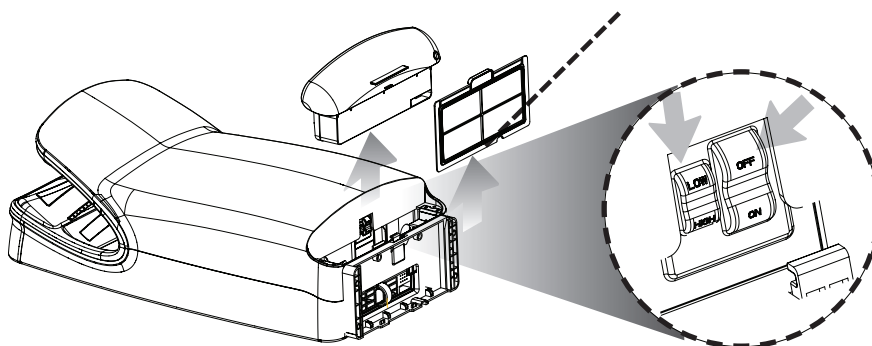
1. The hand dryer will start automatically when hands are inserted.
2. Slowly move your hands up and down through the air stream for 10 – 12 seconds.
3. The hand dryer will stop automatically after hands are removed.



Dryer Controls

The hand dryer is equipped with an ON/OFF Power Switch and Speed Control Switch for quieter operation if desired. The factory setting for the Speed Control Switch is “HIGH”. Both the ON / OFF Power Switch and Speed Control Switch are located inside the dryer - above the water collection tray. To access, remove the water collection tray and intake air pre-filter and locate the ON / OFF Power Switch and Speed Control Switch as shown in the figure below.

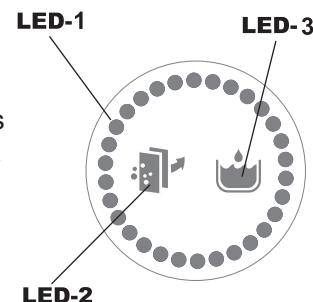
Note: The hand dryer includes an anti-vandal lock for securing the water collection tray and HEPA filter. The lock is located immediately below the water collection tray. To remove the water collection tray or HEPA filter, slide the lock to the right to the “unlocked” position. After servicing, slide the lock to the left to the “locked” position.



LED Display

The LED display provides information about the operation and servicing needs of the hand dryer.

- LED-1: Starting operation: (Mode 1) LED-1 a blue “smiley” icon appears 3 times. Afterwards the LED lights rotate clockwise for 9 seconds (one drying cycle), thereafter all 30 LEDs blink 3 times. The LEDs rotate again and flash after 9 seconds. Afterwards the machine shuts off automatically. (Mode 2) Same as above, but the LEDs rotate clockwise for 10 seconds. In case of an electrical or motor problem all 30 LEDs will blink for 30 seconds.
- LED-2: Filter change sign. The filter sign will turn on after 25,000 uses. After replacing the filter the filter sign will stay for 5 seconds, and then blink 3 times (the filter usage is reset).
- LED-3: Shows that the water tank is full. When full the water tank will blink red until the water is emptied and the tray is put back into the unit.



Maintenance and Cleaning Instructions

Cleaning

- All surfaces of the hand dryer can be cleaned with a soft cloth and non-abrasive, non-caustic cleaning solution.
- Provided cleaning brush should be used for cleaning the drain hole in the bottom of the drying cavity.

Maintenance

Emptying the Water Collection Tray

1. The water collection tray will fill with water with hand dryer use.
2. Regularly check the water tank status on the LED display panel. The LED Display will indicate when the water collection tray is full and needs emptying.
3. If water collection tray is not emptied when full, the collection tray will overflow onto the floor. High washroom traffic may require more frequent emptying of the water collection tray.
4. For optimum hygiene, routinely clean the water collection tray with a non-abrasive, non-caustic cleaning solution.

HEPA Filter with Odor Neutralizing Tablet

1. This hand dryer is equipped with removable intake air pre-filter and a replaceable cartridge containing a HEPA filter and an odor neutralizing tablet.
2. Regularly check the filter status on the LED display panel. The LED display panel will indicate when the HEPA filter requires replacement. High washroom traffic may require more frequent replacement of the HEPA filter.
3. The removable intake air pre-filter can be cleaned and re-used.

Caution: Failure to replace a used / dirty HEPA filter can cause overheating of the hand dryer's motor and may invalidate your warranty rights.

Replacement filters can be purchased through your dealer where you purchased the hand dryer.

Troubleshooting Chart

Problem	Action
The hand dryer fails to start.	Check the power supply is turned on.
	Check for foreign objects in the drying cavity that may be blocking the sensors.
The hand dryer turns on and off erratically.	Clean sensor area inside drying cavity.

Limited Warranty

World LIMITED FIVE – YEAR WARRANTY. World Air Hand Dryer, Model covered in this manual, is warranted by World Dryer Corporation to the original user against defects in workmanship or materials under normal use for 5 years after date of purchase excluding normal wear and tear, or expendable parts such as HEPA filters, motor brushes, etc. Any part which is determined to be defective in material or workmanship and returned to an authorized service location, as World designates, shipping costs prepaid, will be, as the exclusive remedy, repaired or replaced at World's option. For limited warranty claim procedures, see PROMPT DISPOSITION below. This limited warranty gives purchasers specific rights from jurisdiction to jurisdiction.

LIMITATION OF LIABILITY. To the extent allowable under applicable law, World's liability for consequential and incidental damages is expressly disclaimed. World's liability in all events is limited to and shall not exceed the purchase price paid.

WARRANTY DISCLAIMER. World has made a diligent effort to provide product information and illustrate the products in this literature accurately; however, such information and illustrations are for the sole purpose of identification, and do not express or imply a warranty that the products are MERCHANTABLE, or FIT FOR A PARTICULAR PURPOSE, or that the products will necessarily conform to the illustrations or descriptions. Except as provided below, no warranty or affirmation on fact, expressed or implied, other than as stated in the "LIMITED WARRANTY" above is made or authorized by World.

PRODUCT SUITABILITY. Many jurisdictions have codes and regulations governing sales, construction, installation, and/or use of products for certain purposes, which may vary from those in neighboring areas. While World attempts to assure that the products comply with such codes, it cannot guarantee compliance, and can not be responsible for how the product is installed or used. Before purchase and use of a product, review the product application, and all applicable national and local codes and regulations, and be sure that the product, installation, and use will comply with them.

Certain aspects of disclaimers are not applicable to consumer products; e.g., (a) some jurisdictions do not allow the exclusion or limitation of incidental or consequential damages, so the above limitation or exclusion may not apply to you; (b) also, some jurisdictions do not allow a limitation on how long an implied warranty lasts, consequentially the above limitation may not apply to you; and (c) by law, during the period of this Limited Warranty, and implied warranties of implied merchantability or fitness for particular purpose applicable to consumer products purchased by consumers, may not be excluded or otherwise disclaimed. Distributed by World Dryer Corporation, Bensenville, Illinois 60106 U.S.A.

PROMPT DISPOSITION. World will make a good faith effort for prompt correction or other adjustment with respect to any product which proves to be defective within limited warranty. For any product believed to be defective within limited warranty, first write or call dealer from whom the product was purchased. Dealer will give additional directions. If unable to resolve satisfactorily, write to World at address below, giving dealer's name, address, date, and number of dealer's invoice, and describing the nature of defect. Title and risk of loss pass to buyer on delivery to common carrier. If product was damaged in transit to you, file claim with carrier.




340 County Line Road
Bensenville, IL 60106 U.S.A.
800-323-0701
www.worlddryer.com

Descripción

El secamanos World Air es un aparato que se monta en superficie, funciona con un motor DC sin escobillas y genera 1000 vatios de potencia de secado. El secador incorpora un filtro HEPA y una tableta que neutraliza los olores, ambos reemplazables. El secamanos se activa automáticamente mediante un sensor de infrarrojos. Estos modelos están diseñados para entornos comerciales, industriales, de oficinas e instalaciones públicas.

Especificaciones del sistema eléctrico

Tabla 1

Modelos	Tipo	Entrada Eléctrica	Amperaje Nominal	Vatios	Certifications
V-649A	Automático	120V, 60 Hz	10 A	1000	

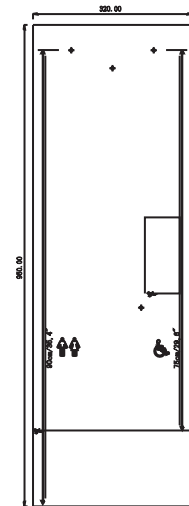
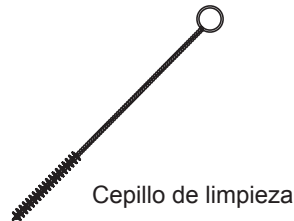
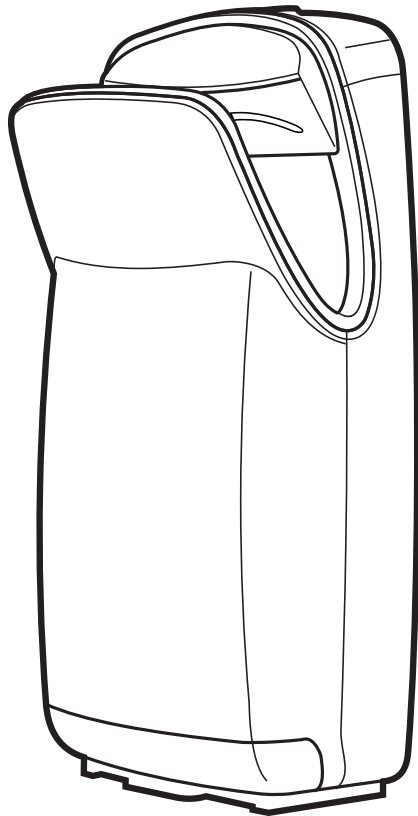
Información de seguridad general

- ⚠ PELIGRO** No desconectar la fuente de alimentación eléctrica antes de realizar la instalación o el mantenimiento puede resultar en lesiones graves o la muerte debido a un choque eléctrico.
- Siempre desconecte la fuente de alimentación antes de instalar el secamanos o darle mantenimiento.
- ⚠ ADVERTENCIA** Hay posibles riesgos de incendio, lesiones corporales o daño a la propiedad si no se cumple con los códigos locales o las recomendaciones de seguridad.
- Úselo sólo para secarse las manos, tal como lo indica el fabricante. No use el secamanos para ningún otro fin que no sea precisamente secarse las manos.
 - Siga cuidadosamente todas las indicaciones para la instalación en las instrucciones y en la plantilla de montaje adjuntas.
 - La instalación sólo la pueden realizar personas calificadas, en cumplimiento con todas las leyes, códigos y pautas nacional y locales vigentes.
 - Al cortar o perforar en una pared o cielo raso, no dañe los cables eléctricos ni otras instalaciones ocultas de los servicios públicos. • Siempre conecte a un ramal que tenga instalado un cortacircuito o un fusible protector cuya capacidad eléctrica supere la intensidad nominal del modelo del secamanos, como se indica en la Tabla 1: Especificaciones del sistema eléctrico de acuerdo los códigos eléctricos nacionales y locales.
 - Utilice únicamente la energía eléctrica (voltaje y frecuencia) especificada para el modelo de secamanos que se esté instalando. Consulte la Tabla 1: Especificaciones del sistema eléctrico
 - Para limitar la caída de tensión, y asegurar una operación eficiente, el uso 14 AWG alambre o más grande como es requerido por los códigos eléctricos locales.
 - Todo secamanos debe tener un circuito dedicado.
 - Sólo para uso bajo techo. No lo use al aire libre. No lo exponga a la lluvia, sol ni temperaturas extremas. No lo use cerca de fuentes de agua o de extremo calor.
 - Las labores de reparación sólo las deben efectuar o sus representantes de un servicio autorizados.
 - Este artefacto no está hecho para que lo usen personas (incluyendo niños) con capacidades físicas, sensoriales o mentales disminuidas, o que carezcan de la experiencia y conocimientos para ello, a menos que estén bajo la supervisión o instrucción respecto del uso del artefacto por parte de una persona responsable de su seguridad.
- ⚠ ADVERTENCIA** Hay posibles riesgos de incendio, lesiones corporales o daño a la propiedad si no se cumple con las siguientes precauciones de seguridad.
- No use el secamanos para ningún otro fin que no sea precisamente secarse las manos.
 - Las labores de reparación sólo las deben efectuar o sus representantes de servicio autorizados. Use sólo repuestos originales.
 - No inserte objetos foráneos en la unidad.
 - No coloque objetos pesados en la unidad.
 - No lo use en ambientes corrosivos.
 - No lo use en ambientes explosivos.
 - No lo use en localidades extremadamente húmedas ni cerca de fuentes de agua.
 - No sumerja el artefacto en agua ni otros líquidos.
 - Es preciso supervisar a los niños para que no jueguen con el artefacto.
 - Desconecte el aparato de la alimentación eléctrica antes de darle servicio.
- ⚠ ADVERTENCIA** Cuando elimine un artefacto antiguo o cualquiera de sus componentes, acate las leyes locales y nacionales sobre la eliminación de desechos electrónicos. Este artefacto no se puede eliminar junto con basura doméstica. Se debe desechar en un lugar autorizado para reciclar aparatos eléctricos y electrónicos. Al recolectar y reciclar basura, usted ayuda a preservar los recursos naturales, y se asegura de que el producto se elimine en forma ecológica y saludable.
- ⚠ ADVERTENCIA** Cáncer y daño reproductivo - www.p65warnings.ca.gov

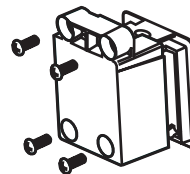
Desembalaje / Accesorios estándar

1. Retire todos los materiales de embalaje. Se recomienda reciclar los materiales.
2. Extraiga cuidadosamente el secamanos de la caja de envío, sin dejar caer el aparato.
3. Inspeccione el producto cuidadosamente para verificar si se han producido daños durante el transporte. Revise para verificar si hay partes sueltas, que faltan o que están dañadas. Si el secamanos está dañado o le faltan piezas, notifique a la brevedad al distribuidor donde lo adquirió, o bien comuníquese.

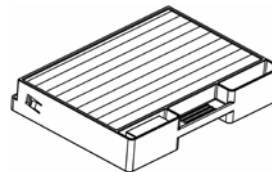
Los artículos estándar incluidos con el secamanos son:



Equipo de fundas para la fuente de alimentación



Cartucho del filtro HEPA con tableta que neutraliza olores

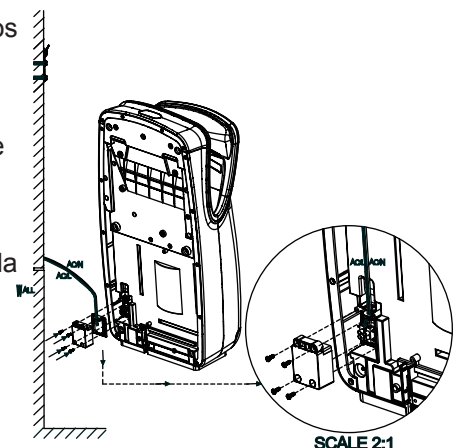


Escuadra de montaje mural con anclas de montaje

Instalación

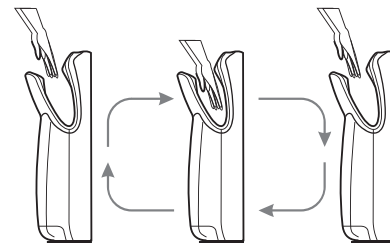
ATENCIÓN El montaje incorrecto puede ocasionar lesiones corporales o daños materiales.

1. Utilice la plantilla de montaje suministrada para marcar la ubicación de las (4) anclas de montaje con las cuales se sujetará la escuadra de montaje mural.
2. Se recomienda que por lo menos 1 de las 4 anclas de montaje para la unidad se sujete a una viga o soporte mural.
3. Para usar las anclas huecas incluidas en el juego de montaje mural, perforo la pared en las ubicaciones marcadas usando un taladro de 5/16 pulg. (8 mm), inserte los tarugos plásticos y martille suavemente hasta dejarlos embutidos en la pared.
4. Complete la instalación de la escuadra de montaje mural a la pared con las (4) anclas de montaje, usando un destornillador Torx No. 25.
5. Coloque el secamanos en la escuadra. Quite la bandeja de recolección de agua de la parte inferior del secador y complete la fijación del aparato con la cuarta ancla.
6. Conecte el cableado de alimentación al bloque de terminales y fije la cubierta de la fuente de alimentación
7. Vuelva a colocar la bandeja de recolección de agua.



Modo de uso

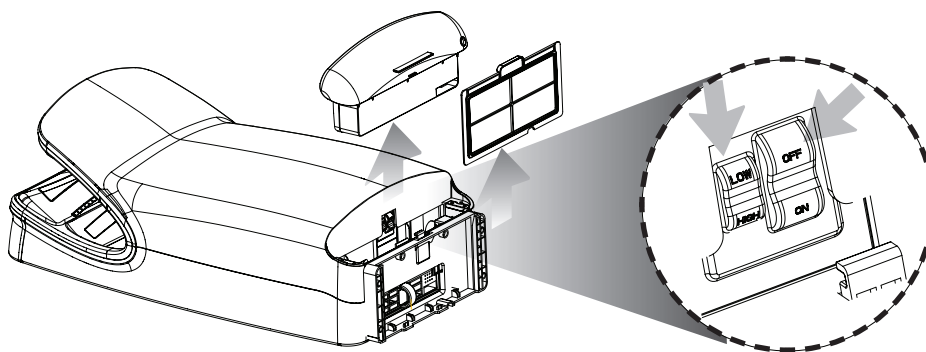
1. El secamanos comenzará a funcionar automáticamente al insertar las manos.
2. Mueva lentamente las manos hacia arriba y hacia abajo por la corriente de aire, durante unos 10 a 12 segundos.
3. El secamanos se detendrá automáticamente cuando saque las manos.



Controles del secador

El secamanos está equipado con un interruptor de ENCENDIDO/APAGADO y un interruptor de control de velocidad para que la operación sea menos ruidosa si así se desea. El ajuste de fábrica para el interruptor de control de velocidad es "ALTO". Tanto el interruptor de ENCENDIDO/APAGADO como el interruptor de control de velocidad están ubicados dentro del secamanos, arriba de la bandeja de recolección de agua. Para tener acceso, quite la bandeja de recolección de agua y el antifiltro de aire de entrada y ubique el interruptor de ENCENDIDO/APAGADO y el interruptor de control de velocidad según se muestra en la figura siguiente.

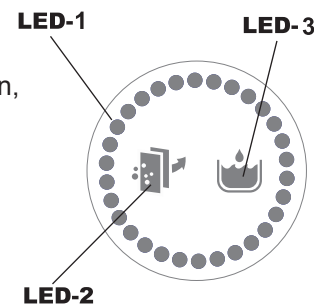
Aviso: El secamanos incluye una traba antivandalismo para fijar la bandeja de recolección de agua y el filtro HEPA. La traba está ubicada directamente debajo de la bandeja de recolección de agua. Para quitar la bandeja de recolección de agua o el filtro HEPA, deslice la traba a la derecha a la posición "destrabada". Después de efectuar el servicio, deslice la traba a la izquierda a la posición "trabada".



Pantalla LED

La pantalla LED proporciona información acerca de la operación y necesidades de servicio del secamanos.

- LED 1: Operación de accionamiento: (Modo 1) aparece el icono azul 3 veces. A continuación, las luces LED giran hacia la derecha durante 9 segundos (un ciclo de secado), y después las 30 luces LED parpadean 3 veces. Las luces LED giran de nuevo y parpadean tras 9 segundos. A partir de entonces, la máquina se apaga automáticamente. (Modo 2) Igual que el anterior pero la luz LED comienza a girar hacia la derecha durante 10 segundos de inmediato. Si hay un problema eléctrico o relacionado con el motor, las 30 luces LED parpadearán durante 30 segundos. A continuación, la unidad se apagará. Si esto sucede, llame a su proveedor local para el mantenimiento o reparación del aparato.
- LED 2: Señal de cambio de filtro. La señal del filtro se encenderá después de 25.000 usos. Una vez se sustituya el filtro, la señal de filtro permanecerá encendida durante 5 segundos y luego parpadeará 3 veces (el uso del filtro se restablece).
- LED 3: Muestra que el depósito de agua está lleno. Cuando el depósito de agua esté LLeno, este parpadeará en rojo hasta que se vacíe el agua y la bandeja se vuelve colocar en la unidad.



Instrucciones de mantenimiento y limpieza

Limpieza

- Todas las superficies del secamanos se pueden limpiar utilizando un paño suave con una solución de limpieza no abrasiva ni cáustica.
- El cepillo de limpieza suministrado se puede usar para limpiar el orificio de drenaje en la parte inferior de la cavidad de secado.

Mantenimiento

Cómo vaciar la bandeja de recolección de agua

1. La bandeja de recolección de agua se llena de agua con el uso del secamanos.
2. Revise regularmente el estado del tanque de agua en el panel de pantallas LED. La pantalla LED indicará cuando la bandeja de recolección de agua esté llena y se deba vaciar.
3. Si la bandeja de recolección de agua no se vacía cuando está llena, se rebasará sobre el piso. Puede que el uso intenso del cuarto de aseo requiera vaciar con mayor frecuencia la bandeja de recolección de agua.

4. Para una óptima higiene, limpie regularmente la bandeja de recolección de agua con una solución de limpieza no abrasiva ni cáustica.

Filtro HEPA con tableta que neutraliza olores

1. Este secamanos está equipado con un antefiltro de entrada de aire desmontable y un cartucho reemplazable que contiene un filtro HEPA y una tableta de neutralización de olores.
2. Revise regularmente el estado del filtro en el panel de pantallas LED. Dicho panel LED le indicará cuándo se debe reemplazar el filtro HEPA. Puede que el uso intenso del cuarto de aseo requiera reemplazar con más frecuencia dicho filtro.
3. El antefiltro de aire de entrada desmontable puede limpiarse y volver a usarse.

Atención: Si no se reemplaza un filtro HEPA usado / sucio se puede recalentar el motor del secamanos e invalidar los derechos de la garantía.

Los filtros de repuesto se pueden adquirir al distribuidor a quien le compró el secamanos.

Tabla de identificación de problemas

Problema	Medida
El secamanos no arranca.	Revise que esté encendida la alimentación eléctrica.
	Revise si hay objetos foráneos en la cavidad de secado que pudieran estar bloqueando los sensores.
El secamanos se enciende y apaga erráticamente.	Limpie la zona del sensor dentro de la cavidad de secado.

Garantía limitada

GARANTÍA LIMITADA DE CINCO AÑOS DE World Dryer. El secamanos World Air, modelo descrito en este manual, está garantizado por World Dryer Corporation para el usuario original contra defectos de mano de obra o materiales en condiciones de uso normal durante 5 años a partir de la fecha de compra, excluyendo el desgaste normal y los artículos fungibles tales como los filtros HEPA, cepillos del motor, etc. Cualquier pieza que se halle defectuosa, ya sea por materiales o mano de obra, y se devuelva a un centro de reparación autorizado, según lo indique World Dryer, con los costos de envío pagados por adelantado, se reparará o reemplazará, como recurso exclusivo, a la discreción de World Dryer. Para obtener información relacionada con los procedimientos de reclamación provistos por la garantía limitada, consulte más adelante la sección ATENCIÓN OPORTUNA. Esta garantía limitada confiere al comprador derechos específicos que varían de una jurisdicción a otra.

LÍMITES DE RESPONSABILIDAD. En la medida en que las leyes aplicables lo permitan, se excluye expresamente la responsabilidad de World Dryer por daños indirectos o menores. La responsabilidad de World Dryer se limita al precio de compra pagado, al cual no sobrepasará.

EXCLUSIÓN DE RESPONSABILIDAD DE LA GARANTÍA. World Dryer se ha esforzado diligentemente en proporcionar a través de este manual información e ilustraciones concernientes al producto; sin embargo, esta información y estas ilustraciones tienen como único fin la identificación del producto, y no expresan ni implican garantía de que los productos sean VENDIBLES o ADECUADOS A UN PROPÓSITO EN PARTICULAR, ni que se ajusten necesariamente a las ilustraciones o descripciones. Con excepción de lo que se establece a continuación, World Dryer no hace ni autoriza ninguna garantía o afirmación de hecho, expresa o implícita, que no se estipule en la "GARANTÍA LIMITADA" anterior.

ADECUACIÓN DEL PRODUCTO. Muchas jurisdicciones tienen códigos o reglamentos sobre la venta, el diseño, la instalación y/o el uso de productos para ciertas aplicaciones; dichas leyes pueden variar de un área a otra. Si bien World trata que los productos cumplan con estos códigos, no puede garantizar su cumplimiento ni puede hacerse responsable de la forma en que se instale o utilice el producto. Antes de comprar y utilizar el producto, revise su aplicación y todos los códigos y reglamentos nacionales y locales aplicables, y asegúrese de que el producto, la instalación y el uso los cumplan.

Ciertos aspectos de las limitaciones de responsabilidad no se aplican a los productos de consumo; es decir (a) algunas jurisdicciones no permiten la exclusión o limitación de daños menores o indirectos, por lo cual la limitación o exclusión anterior quizás no se aplique en su caso; (b) asimismo, algunas jurisdicciones no permiten limitar el plazo de las garantías implícitas, por lo cual la limitación anterior quizás no se aplique en su caso; y (c) por ley, mientras estén vigentes, no pueden excluirse ni de ninguna otra manera denegarse la Garantía Limitada ni las garantías implícitas de comerciabilidad o idoneidad para un propósito en particular implícitas que corresponden a los productos de consumo adquiridos por los consumidores. Distribuido por World Dryer Corporation, Bensenville, IL 60106 EE. UU.

ATENCIÓN OPORTUNA. World Dryer hará un esfuerzo de buena fe para corregir oportunamente o hacer otros ajustes relacionados con cualquier producto que resulte defectuoso dentro de los términos de esta garantía limitada. En el caso de que encuentre un producto defectuoso y que esté cubierto dentro de los límites de esta garantía haga el favor de escribir primero, o llame, al distribuidor a quien le compró el producto. El distribuidor le dará las instrucciones adicionales. Si no logra resolver el problema de forma satisfactoria, escriba a World a la siguiente dirección, y proporcione el nombre y la dirección del distribuidor así como la fecha y el número de su factura, y describa la naturaleza del defecto. La propiedad del artículo y el riesgo de pérdida pasan al comprador en el momento de la entrega del artículo a la compañía de transporte. Si el producto se daña durante el transporte, debe presentar su reclamo a la compañía transportista.




340 County Line Road
Bensenville, IL 60106 U.S.A.
800-323-0701
www.worlddryer.com

Description

Le sèche-mains à air chaud World Dryer à montage en surface est conforme aux normes de l'ADA (American Disabilities Act) et est alimenté par un moteur cc sans balai offrant une puissance de séchage de 1000 watts. Ce sèche-mains comporte un filtre HEPA remplaçable et une tablette également remplaçable qui neutralise les odeurs. Un capteur infrarouge met en marche automatiquement le sèche-mains. Ce sèche-mains est conçu pour être utilisé dans les établissements commerciaux, industriels, publics et dans les bureaux.

Caractéristiques électriques

Tableau 1

Modèles	Type	Alimentation électrique	Intensité nominale	Puissance	Homologations
V-649A	Automatique	120V, 60 Hz	10 A	1000	

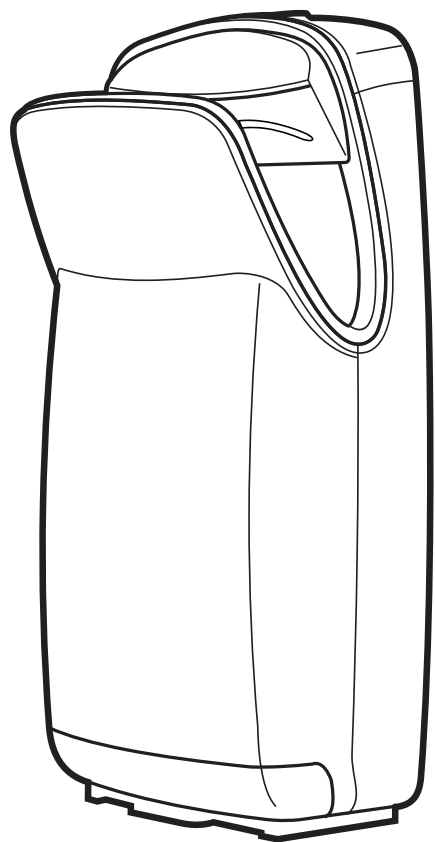
Consignes générales de sécurité

- ⚠ DANGER** Négliger de débrancher la source d'alimentation avant de procéder à l'installation ou à l'entretien peut entraîner des blessures graves ou mortelles provoquées par un choc électrique.
- Toujours débrancher la source d'alimentation avant de réparer ou d'installer le sèche-mains.
- ⚠ AVERTISSEMENT** Un risque d'incendie, de blessures ou de dommages matériels est possible en cas de non-respect des codes locaux en vigueur ou des recommandations de sécurité.
- Utiliser l'appareil uniquement pour se sécher les mains, tel que prévu par le fabricant. Ne pas utiliser l'appareil autrement que pour se sécher les mains.
 - Suivre soigneusement toutes les directives d'installation figurant sur le gabarit de montage et dans les instructions.
 - L'installation ne doit être effectuée que par un personnel qualifié conformément aux codes et aux normes municipaux, national.
 - Lors de la coupe ou du perçage de mur ou de plafond, ne pas endommager le câblage électrique et autres services cachés à l'intérieur.
 - Toujours raccorder l'appareil à un circuit de dérivation protégé par un disjoncteur ou un fusible aux caractéristiques nominales supérieures à l'intensité nominale du modèle de sèche-mains indiquée au Tableau 1 – Caractéristiques électriques, conformément aux codes électriques nationaux et locaux.
 - N'utiliser que le type d'alimentation électrique (tension et fréquence) spécifié pour le modèle de sèche-mains en cours d'installation. Consulter le tableau 1 – Caractéristiques électriques.
 - Pour limiter les chutes de tension, et d'assurer un fonctionnement efficace, l'utilisation 14 AWG fil ou plus tel que requis par les codes électriques locaux.
 - Chaque modèle de sèche-mains doit avoir son propre circuit réservé.
 - Pour utilisation à l'intérieur seulement.
 - Ne pas utiliser à l'extérieur. Ne pas exposer à la pluie, au soleil ni à des températures excessives. Ne pas utiliser à proximité de sources d'eau ou de chaleur intense. Toute réparation doit être confiée uniquement à ou à ses représentants autorisés.
 - Cet appareil n'est pas conçu pour être utilisé par des personnes (y compris des enfants) aux capacités physiques, sensorielles ou mentales réduites, ou dépourvues de l'expérience et des connaissances requises, sans la surveillance et les directives d'une personne responsable de leur sécurité.
- ⚠ AVERTISSEMENT** Un risque d'incendie, de choc électrique, de blessures ou de dommages matériels est possible si les consignes de sécurité suivantes ne sont pas respectées.
- Ne pas utiliser l'appareil autrement que pour se sécher les mains.
 - Toute réparation doit être confiée uniquement à ou à ses représentants autorisés. N'utiliser que des pièces de remplacement d'origine.
 - N'insérer aucun corps étranger dans l'appareil.
 - Ne pas placer d'objets lourds sur l'appareil.
 - Ne pas utiliser dans un environnement corrosif.
 - Ne pas utiliser dans une atmosphère explosive.
 - Ne pas utiliser dans un endroit très humide ou à proximité de sources d'eau.
 - Ne pas plonger l'appareil dans l'eau ni dans tout autre liquide.
 - Les jeunes enfants doivent être surveillés afin de ne pas les laisser jouer avec l'appareil.
 - Déconnexion la source d'alimentation avant d'effectuer des travaux sur l'appareil.
- ⚠ AVERTISSEMENT** Au moment de jeter un vieil appareil ou l'une de ses composantes, respecter les lois locales ou nationales relatives à la mise au rebut des appareils électroniques. Cet appareil ne doit pas être jeté avec les ordures ménagères. Cet appareil doit être jeté à un endroit autorisé pour le recyclage des appareils électriques et électroniques. En récupérant et en recyclant ces déchets, vous contribuez à économiser les ressources naturelles et à faire en sorte que ce produit soit éliminé d'une façon écologique et saine.
- ⚠ AVERTISSEMENT** Cancer et effets néfastes sur la reproduction - www.p65warnings.ca.gov

Déballage/accessoires standards

1. Enlever tous les produits d'emballage. Il est recommandé de les recycler.
2. Sortir le sèche-mains de la boîte avec précaution, en veillant à ne pas le faire tomber.
3. Vérifier soigneusement qu'aucun dommage n'est survenu durant le transport. Examiner les pièces pour vérifier si certaines sont desserrées, manquantes ou endommagées. Si le sèche-mains est endommagé ou des pièces sont manquantes, aviser aussitôt le détaillant.

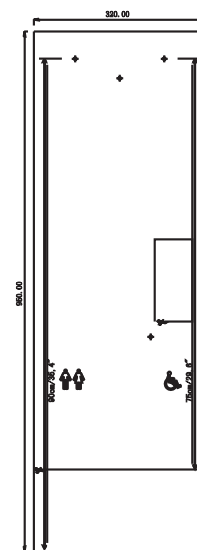
Les accessoires standards qui accompagnent le sèche-mains sont :



Manuel

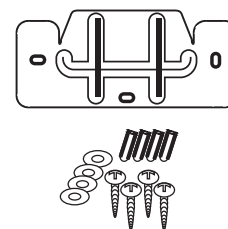
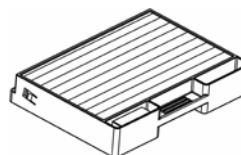


Brosse de nettoyage



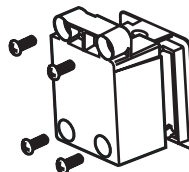
Gabarit d'installation

Cartouche de filtre
HEPA avec tablette
anti-odeurs.



Support de montage
mural avec chevilles
d'ancrage

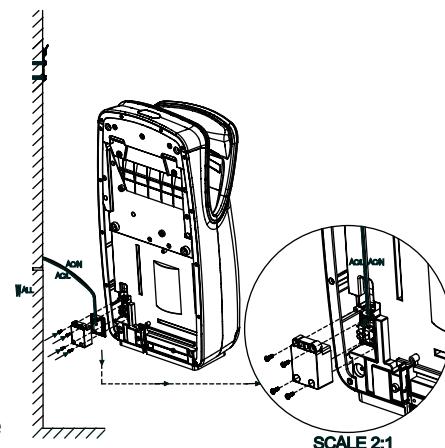
Power Kit couverture
d'alimentation



Installation

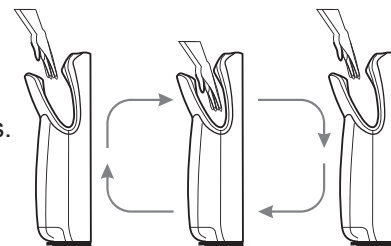
ATTENTION Un montage incorrect peut provoquer des blessures personnelles ou des dommages matériels.

1. Utiliser le gabarit de montage fourni pour marquer la position des quatre (4) chevilles d'ancrage permettant de fixer le support de montage au mur.
2. Il est conseillé qu'au moins l'une des quatre (4) chevilles d'ancrage soit fixée dans un montant ou support mural.
3. Pour utiliser les chevilles d'ancrage incluses dans l'ensemble de fixation, percer des avant-trous aux endroits marqués avec une mèche de 8 mm (5/16 po), insérer les chevilles et les taper au ras de la surface du mur.
4. Terminer la pose du support mural sur les quatre (4) chevilles d'ancrage à l'aide d'un tournevis torx N° 25.
5. Suspendre le sèche-mains au support. Enlever le plateau de récupération d'eau au bas du sèche-mains et terminer la pose de l'appareil sur la quatrième cheville d'ancrage.
6. Connecter le câblage d'alimentation au bornier d'alimentation et sécuriser l'alimentation couverture.
7. Replacer le plateau de récupération d'eau.



Mode d'emploi

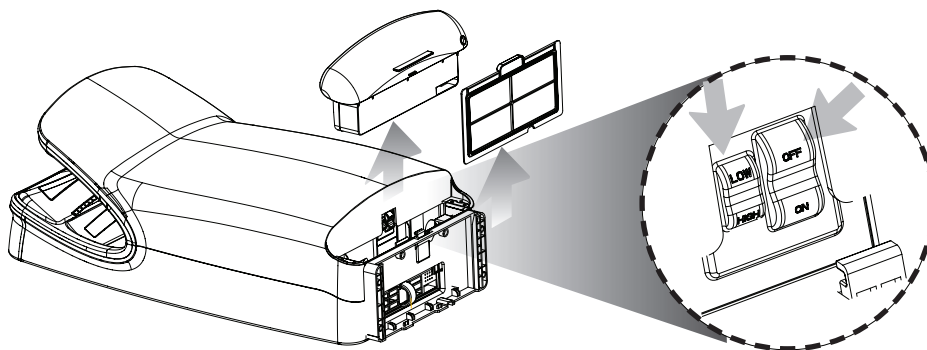
1. Le sèche-mains démarre automatiquement dès que l'on insère les mains.
2. Bouger lentement les mains de haut en bas dans le jet d'air pendant 10 à 12 secondes.
3. Le sèche-mains s'arrête automatiquement dès que l'on retire les mains.



Commandes du sèche-mains

Le sèche-mains comporte un interrupteur Marche/Arrêt et un bouton de Réglage du régime pour un fonctionnement plus silencieux, s'il y a lieu. Le bouton de Réglage du régime est réglé à l'usine sur régime « ÉLEVÉ ». L'interrupteur Marche/Arrêt et le bouton de Réglage du régime sont situés à l'intérieur du sèche-mains – au-dessus du plateau de récupération d'eau. Pour y accéder, enlever le plateau de récupération d'eau et le pré-filtre d'admission d'air et repérer l'interrupteur Marche/Arrêt et le bouton de Réglage du régime, tel qu'illustré dans la figure ci-dessous.

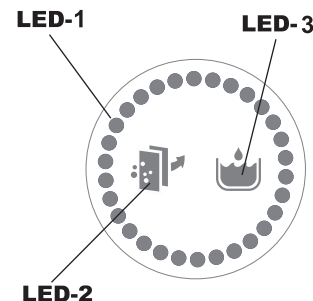
Remarque : Le sèche-mains comporte un loquet antivandalisme pour protéger le plateau de récupération d'eau et le filtre HEPA. Ce loquet est situé juste en dessous du plateau de récupération d'eau. Pour enlever le plateau de récupération d'eau ou le filtre HEPA, glisser le loquet vers la droite à la position « Ouvert ». Une fois l'entretien terminé, glisser le loquet vers la gauche à la position « Fermé ».



Affichage DEL

L'affichage DEL offre des informations sur le fonctionnement et les besoins d'entretien du sèche-mains.

- LED 1: Mise en marche: (Mode 1) LED 1 une icône bleue apparaît 3 fois. Puis, les lumières LED tournent dans le sens des aiguilles d'une montre pendant 9 secondes (un cycle de séchage), puis les 30 lumières LED clignotent 3 fois. Les LED tournent encore et clignotent après 9 secondes. Puis, la machine s'éteint automatiquement. En cas de problème électrique ou au moteur, toutes les 30 LED clignotent pendant 30 secondes. Puis, l'appareil s'éteint. Dans ce cas, veuillez contacter votre fournisseur local pour un entretien ou une réparation.
- LED 2: Indicateur du changement de filtre. L'indicateur du filtre s'allume après 25000 utilisations. Après avoir remplacé le filtre, l'indicateur reste encore allumé 5 secondes, puis il clignote 3 fois (l'usage du filtre est remis à zéro)
- LED 3: Le réservoir d'eau est plein. Lorsqu'il est plein le réservoir d'eau clignote en rouge jusqu'à ce que le réservoir soit vidé et que le plateau soit replacé dans l'appareil.



Instructions d'entretien et de nettoyage

Nettoyage

- Nettoyer toutes les surfaces du sèche-mains avec un chiffon doux et une solution nettoyante non abrasive et non caustique.
- Une brosse est fournie pour le nettoyage de l'orifice du drain au bas de la cavité du séchoir.

Entretien

Vider le plateau de récupération d'eau

1. Au fur et à mesure de l'utilisation du sèche-mains, le plateau de récupération d'eau se remplit.
2. Vérifier régulièrement l'état du plateau d'eau sur l'affichage DEL. L'affichage DEL indiquera si le plateau de récupération d'eau est plein et doit être vidé.
3. Si le plateau de récupération d'eau n'est pas vidé lorsqu'il est plein, il risque de déborder sur le plancher. Les salles de bain à haute circulation peuvent exiger de vider le plateau de récupération d'eau plus souvent.

4. Pour maintenir des conditions d'hygiène optimales, nettoyer régulièrement le plateau de récupération d'eau avec une solution nettoiyante non abrasive et non caustique.

Filter HEPA avec tablette anti-odeurs

1. Ce sèche-mains comporte un pré-filtre d'air d'admission amovible et une cartouche remplaçable contenant un filtre HEPA et une tablette anti-odeurs.
2. Vérifier régulièrement l'état du filtre sur l'affichage DEL. L'affichage DEL indiquera quand le filtre HEPA doit être remplacé. Les salles de bain à haute circulation peuvent exiger de remplacer le filtre HEPA plus souvent.
3. Le pré-filtre d'air d'admission amovible peut être nettoyé et réutilisé.

Mise en garde: Négliger de remplacer un filtre HEPA usé ou sale peut entraîner la surchauffe du moteur du sèche-mains et annuler vos droits de garantie.

Vous pouvez vous procurer des filtres de remplacement chez le détaillant où vous avez acheté votre sèche-mains.

Tableau de dépannage

Problème	Solution
Le sèche-mains ne démarre pas.	S'assurer que l'alimentation électrique est activée.
	Vérifier qu'aucun objet étranger se trouve dans la cavité du séchoir et obstrue ses capteurs.
Le sèche-mains démarre et s'arrête par intermittence.	Nettoyer le capteur à l'intérieur de la cavité du séchoir.

Garantie limitée

GARANTIE LIMITÉE DE CINQ ANS de World Dryer. Le modèle de sèche-mains World Dryer couvert dans ce manuel est garanti par World Dryer Corporation à l'acheteur d'origine contre tout défaut de fabrication ou de matériau dans des conditions d'utilisation normales pendant 5 ans à compter de la date d'achat, excluant l'usure normale et les articles consommables tels que les filtres HEPA, balais de moteur, etc. Toute pièce présentant un défaut de fabrication ou de matériau et retournée à un centre de service agréé, tel que désigné par World, port payé, sera réparée ou remplacée, au choix de World, à titre de recours exclusif. Voir les procédures de réclamations sous garantie à la section « RÉGLEMENT RAPIDE », ci-dessous. Cette garantie limitée accorde aux acheteurs des droits particuliers qui varient selon les juridictions.

LIMITES DE RESPONSABILITÉ. Dans la mesure permise par la loi en vigueur, World Dryer décline expressément toute responsabilité pour dommage consécutif ou accessoire. La responsabilité de World est dans tous les cas limitée et ne saurait dépasser le prix d'achat.

EXONÉRATION DE GARANTIE. World s'est efforcée d'illustrer et de décrire avec exactitude les produits de cette brochure. Toutefois, ces illustrations et ces descriptions ne sont données qu'aux fins d'identification et ne constituent pas une garantie expresse ou implicite que les produits sont de QUALITÉ MARCHANDE ou ADAPTÉS À UN USAGE PARTICULIER, ou qu'ils seront nécessairement conformes aux illustrations ou aux descriptions fournies. Sauf ce qui est stipulé ci-dessous, aucune garantie ou affirmation de fait, expresse ou implicite, autre que celle énoncée à la section « GARANTIE LIMITÉE » ci-dessus, n'est fournie ou autorisée par World Dryer.

ADÉQUATION DU PRODUIT. Dans de nombreuses juridictions, les normes et règles qui régissent les ventes, la construction, l'installation et/ou l'utilisation de produits à certaines fins peuvent être différentes de celles des régions avoisinantes. Bien que World Dryer se soit efforcée de rendre ses produits conformes à ces codes, la société ne peut en garantir la conformité et ne saurait être responsable de la manière dont les produits sont installés ou utilisés. Avant d'acheter et d'utiliser un produit, il est conseillé d'étudier son application ainsi que les normes et règlements nationaux et locaux, et de s'assurer que le produit, son installation et son utilisation y sont conformes.

Certains aspects des exonérations de garantie ne sont pas applicables aux produits de consommation. Par exemple, (a) certaines juridictions n'autorisent pas l'exclusion ou la limitation des dommages accessoires ou consécutifs, de sorte que ladite limitation ou exclusion peut ne pas s'appliquer à votre situation; (b) de plus, certaines juridictions n'autorisant pas de limiter la durée d'une garantie implicite, il se peut que la limite mentionnée ci-dessus ne s'applique pas à votre situation; et (c) en vertu de la loi, au cours de la période de garantie limitée, toute garantie implicite de valeur marchande ou d'adéquation à un usage particulier applicable aux produits de consommation achetés par des consommateurs, est susceptible de ne pas pouvoir être exclue ou autrement exonérée.

Distribué par World Dryer Corporation, Bensenville, Illinois 60106 États-Unis.

RÉGLEMENT RAPIDE. World s'efforcera en toute bonne foi d'apporter rapidement les corrections ou ajustements prévus à tout produit qui s'avère défectueux au cours de la période de garantie limitée. Pour tout produit jugé défectueux au cours de la période de garantie limitée, contacter tout d'abord le marchand chez qui l'appareil a été acheté. Le marchand fournira des instructions supplémentaires. S'il est impossible de résoudre le problème de façon satisfaisante, écrire à World à l'adresse ci-dessous, en indiquant le nom et l'adresse du marchand, la date et le numéro de la facture du marchand, ainsi que la nature de la défectuosité. Le titre et le risque de perte passent à l'acheteur au moment de la livraison par le transporteur. Si le produit a été endommagé pendant le transport, une réclamation doit être adressée auprès du transporteur.



340 County Line Road
Bensenville, IL 60106 U.S.A.
800-323-0701
www.worlddryer.com