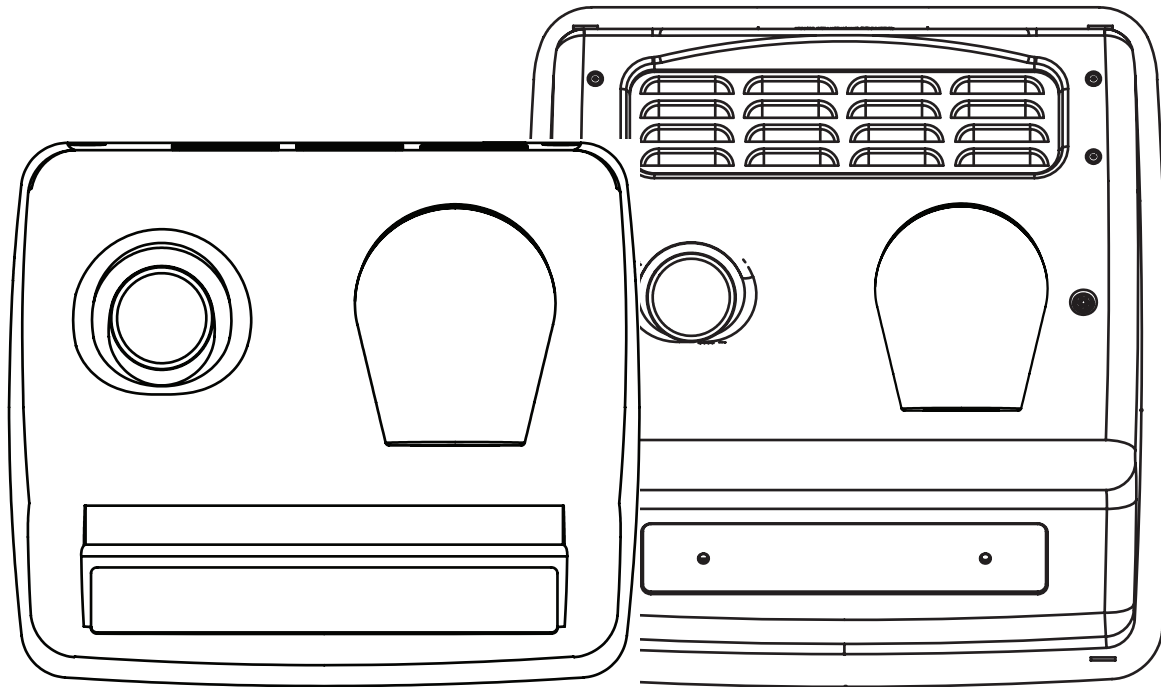


AirStyle Model B Hair Dryer

Surface and Recess Mounted Heavy Duty Hair Dryers



Please read and save these instructions. Read carefully before attempting to assemble, install, operate or service the product described. Protect yourself and others by observing all safety information. Failure to comply with instructions could result in personal injury and/or property damage. Retain instructions for future reference.



WORLD DRYER

World Dryer Corporation

5700 McDermott Drive
Berkeley, IL 60163 U.S.A.
800-323-0701
www.worlddryer.com

Description

World Dryer AirStyle surface mounted and recessed mounted warm air hair dryer, powered by a high speed universal motor, delivering 2300 Watts of drying power. This hair dryer runs on 115 Volts AC, 208/220-240 Volts AC, or 277 volts AC electrical supply, depending on model. Push-button models are represented in this product group. This appliance is intended for hair drying. This hair dryer may be used in schools, clubs and public facility environments.

General Specifications

Basic Models	Nozzle	Drying Cycle	Dimensions (WxDxH)	Weight	Cover Material
RB	Rotating Nozzle	80 Seconds	13.1" x 13.8" x 4" 333 mm x 351 mm x 102 mm	28.6 lbs / 12.9 kgs	Cast Iron
B	Rotating Nozzle	80 Seconds	11.3" x 9.6" x 8.1" 287 mm x 244 mm x 206 mm	27.3 lbs / 12.4 kgs	Cast Iron
DB	Rotating Nozzle	80 Seconds	11.3" x 9.6" x 8.1" 287 mm x 244 mm x 206 mm	15.6 lbs / 7.1 kgs	Steel

Electrical Specifications

Models	Type	Electrical Input	Amperage	Watts
B, RB, DB	Push-button	110-120 V, 60 Hz	20	2300
B1, RB1, DB1	Push-button	110-120 V, 60 Hz	15	1725
B3, RB3, DB3	Push-button	208-240 V, 60 Hz	10	2300
B7, RB7, DB7	Push-button	277 V, 60 Hz	8.5	2300
B38, RB38, DB38	Push-button	220-240 V, 50 Hz	10	2300

(cULus Listed, E19860, CE TUV-GS)

General Safety Information



DANGER

Failure to disconnect the power source before installation or servicing can result in serious injury or death from electric shock.

- Always disconnect the power source before servicing or installing the hair dryer.



DANGER

Failure to properly ground this unit could result in severe electrical shock and/or death.

- This hair dryer must be properly grounded (Earthed) for safe operation. An identified ground connection point is supplied on the hair dryer's wall base.
- We recommend GFCI protection in wet or damp locations or as required by local code.



WARNING

Risk of fire, personal injury or property damage are possible if local codes, NEC codes or safety recommendations are not followed.

- Use only the electrical power (voltage and frequency) specified for the model hair dryer being installed.
- Connect the hand dryer to the nearest suitable distribution panel.
- To limit a voltage drop, and insure efficient operation, use wire gauge as required by local or National Electrical Code.
- Do not connect to a branch circuit with CB or fuse protection over 20 Amps. This is in compliance with The National Electrical Code.
- Route all field wiring away from any moving parts within the hand dryer.



CAUTION

Improper mounting could result in personal injury or property damage.

Unpacking

1. Remove all packing material. Recycling is recommended.
2. Carefully remove the hair dryer from the shipping carton, using care not to drop the appliance.
3. Inspect carefully for any damage that may have occurred during transit. Check for any loose, missing or damaged parts. If the hair dryer is damaged, promptly inform the shipper or dealer where you purchased it.

Installation

IMPORTANT: Consult local and general regulations before performing dryer installation. Make certain that the electrical network is not overloaded. Do not connect to a branch circuit with a circuit breaker or fuse rated over 20 Amps. This is a UL recommendation and complies with NEC.

A) DISCONNECT THE POWER SOURCE.

B) Surface Mounted Models

- 1) Use the security Allen wrench supplied to remove the (2) cover mounting screws. Remove the cover from the dryer.
- 2) Place the hand dryer base on the wall at the desired location using Table 1 to determine the recommended mounting height. With the base so located, use it as a template to mark locations of the 4 mounting bolt holes on the wall. When two or more dryers are installed, they should be spaced 24" (61 cm) minimum from center to center.
- 3) Fasten the base to the wall, using the type of bolts suggested in Table 2.
- 4) Connect the dryer to the nearest suitable distribution panel.
- 5) Replace cover, making certain not to over-tighten cover bolts.

Table 1

Recommended Mounting Heights from Floor to Dryer Bottom Edge	in. (cm.)
Men's washrooms	68 (173)
Women's washrooms	59 (150)
Children's washrooms, ages 4-7	41 (104)
Children's washrooms, ages 7-10	48 (122)
Children's washrooms, ages 10-13	54 (137)
Children's washrooms, ages 13-17	59 (150)
Handicap Mounting Height	55 (140)

Table 2

Type of Wall	Type of Bolt	Minimum Bolt Length
Hollow Tile, Lath, Wall Board or Metal	1/4" (M6) Screw Type or Wing Type Toggle Bolts	Dependent on wall thickness
Cement, Brick, or Tile Covered Cement or Brick	1/4" (M6) Stud Type Expansion Bolts	3" (76 mm)
Stud Wall with Wood Backing	No.16 (M8) Wood Screws	23/4" (70 mm)

C) Recessed Mounted Models

- 1) Mount the hand dryer wall box at the recommended height per Table #1.
- 2) Mount the wall box flush - to a maximum of 1/8" (3.2mm) below the finished wall surface for a proper recessed fit.
- 3) Caulking is recommended AFTER installation of the aluminum base assembly for a finished look and to help keep water out of the appliance. (Caulking before installation may create a fit problem.)

D) Mounting the Steel Wall Box;

CAUTION: Proper installation requires that the base be installed into the steel wall box supplied.

- 1) Locate the steel wall box in the wall at the desired position, having the lower edge of the box at the selected height specified in Table #1.
- 2) When two or more dryers are installed, they should be spaced 24" (61cm) minimum from center to center.
- 3) To mount the wall box, frame the opening in the wall per Figure #1.
- 4) Allow an opening in the framing to correspond with the preferred wall box knock-out for easy access of electrical conduit.
- 5) Mount the wall box in the opening. Fasten with No.10 (M5) wood screws or appropriate fasteners as required.
- 6) Using the nearest suitable distribution panel, run conduit.
- 7) To limit voltage drop for efficient operation, use No. 12 wire or larger as required by local electrical code or NEC.
- 8) Provide a minimum length of 24" (61cm) of wire in the wall box to allow easy connection to the dryer terminals.

E) Mounting the Dryer in the Wall Box;

- 1) Remove all shipping / packing material including the protective rubber corner squares if present on the dryer cover.
- 2) Use the security allen wrench supplied, to remove the (2) cover mounting screws. Remove the cover from the dryer base assembly.

CAUTION: should be exercised when handling porcelain enameled cast iron covers. Do not drop or hit against hard surfaces to avoid damaging the porcelain enamel.

- 3) Insert the base assembly in the pre-mounted wall box.
- 4) Facing the dryer, the blower housing will be on the left side as installed.
- 5) Fasten the base to the wall box with (4) 1/4-20 screws supplied.
- 6) Route the wires through the openings in the base assembly.
- 7) Connect field wires to the terminal block identified as (L / N, L1 / L2).
- 8) Securely connect a confirmed ground wire to the ground screw point.

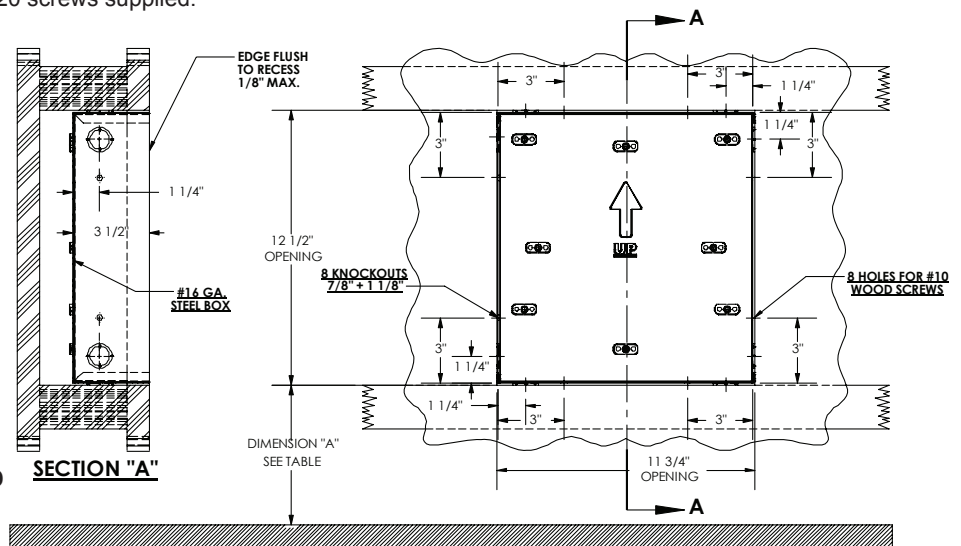
⚠ DANGER: This hand dryer must be properly earth connected (grounded).

⚠ CAUTION: Route field wires away from any moving parts or sharp edges.

- 9) Install the Hand Dryer Cover with the (2) mounting screws. To avoid chipping the porcelain enamel, do not over-tighten.

INSTALLATION MUST BE PERFORMED BY QUALIFIED ELECTRICIAN.

Figure 1

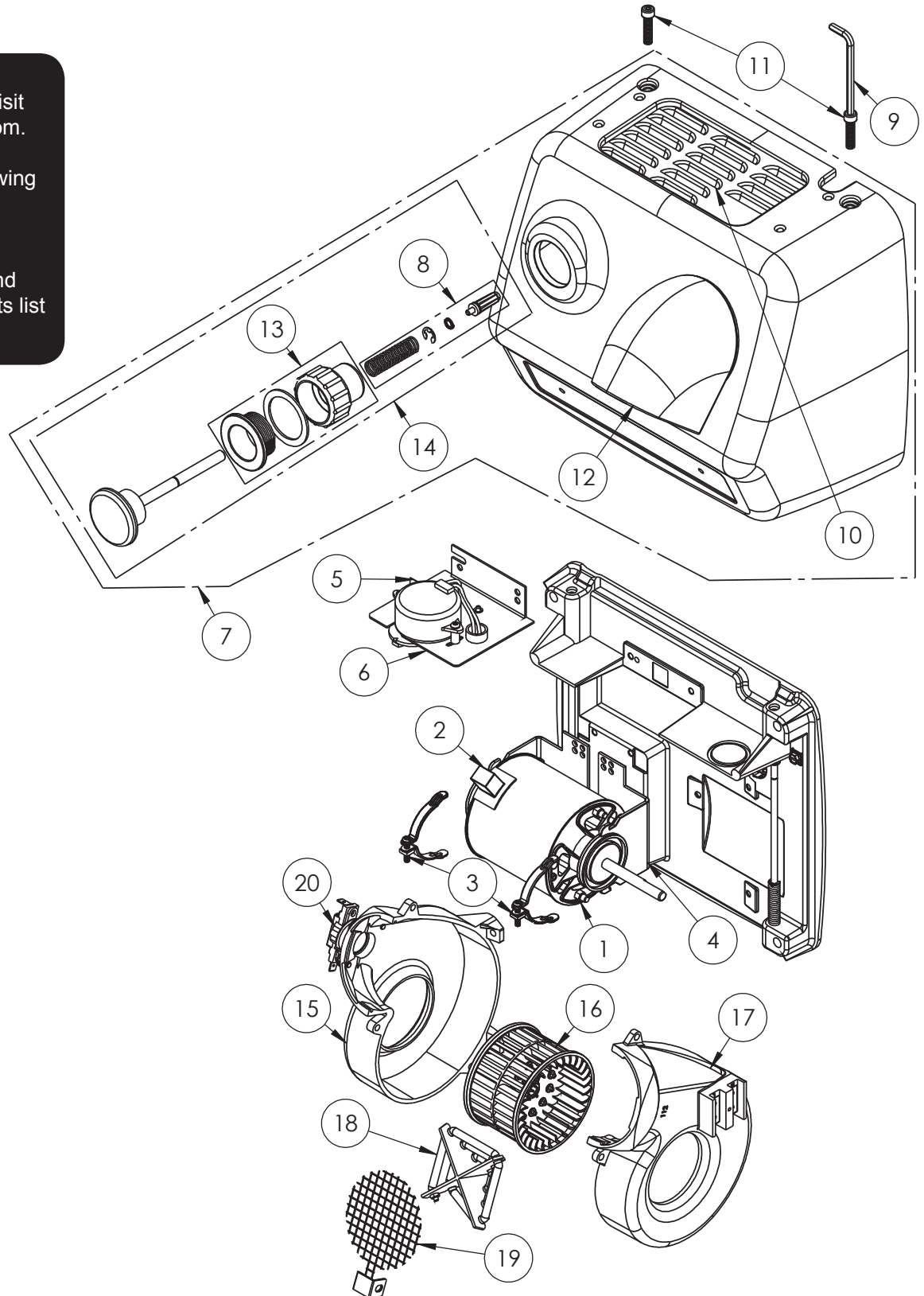


Parts List

Figure 2.1 - Repair Parts List For (D)B, B1, B3, B38, B7

For Repair Parts, visit
www.WorldDryer.com.

Please provide following
information:
Model number
Serial number
Part description and
number shown in parts list



#	Description	Part Number	Qty.
1	Motor - 115 V (D)B, (D)B1	210K	1
	Motor - 208/220-240 V (D)B3, (D)B38, (D)B7†	210ACEK	1
2	Motor Brush	206NL	2 Req'd
3	Motor Mounting Strap	110-4A	2 sets
4	Motor Mounting Brackets	110-4	2
5	Micro Switch Only (All)	143F	1
6	Switch Timer Unit - 115 V, 80 seconds (D)B, (D)B1	125H-K	1
	Switch Timer Unit - 208-230 V, 80 Seconds (D)B3	125K-K	1
	Switch Timer Unit - 220-240 V, 50 Hz, 80 Seconds (D)B38	125P-K	1
	Switch Timer Unit - 277 V, 80 Seconds (D)B7	225K7	1
7	Cover Complete, Cast Iron, Pushbutton, White (All)*	70B5-974CUK	1
	Cover Complete, Steel, Pushbutton, White (All)*	72DB5-974CUK	1
8	Pushbutton Retaining Ring, Insulated Push Rod Tip, and Spring Kit (All)	193K	1
9	Security Allen Wrench	204TP	1
10	Inlet Grill, Cast Iron, Pushbutton, with Mtg. Hardware (All)	194-1K	1
11	Tamper Proof Cover Screw, Cast Iron Covers	100B2	2
	Tamper Proof Cover Screw, Steel Covers	46-330	2
	Lock Washer, Steel Covers	59-005028	2
12	Nozzle Assembly Kit	34-172K	1
13	Pushbutton Adapter, Gasket and Bushing Unit (All)	190K	1
14	Pushbutton Assembly Kit (Knob, Rod, Ring, Spring and Tip) (All)	185K	1
15	Blower Scroll Half with Base Mount and Thermostat	211PK	1
16	Blower Plastic	101P	1
17	Blower Scroll Half with Terminal Block - Left Side	112P	1
18	Heating Element - 115 V, 20 AMP (D)B	213	1
	Heating Element - 115 V, 15 AMP (D)B1	213B	1
	Heating Element - 230 V (D)B3 (D)B38	213A4	1
	Heating Element - 277 V, 8.5 AMP (D)B7	213A7-2	1
19	Grid, Ground Assy (All)	12-001	1
20	Thermostat Only 3/4"	1111-03	1
△	Resistor, 277V, 50Ω, 90W, (D)B7	43-10152	1

* Specify model when ordering.

(†) 277 Volt Models Use 210ACEK Motor (230 V Power Tap).

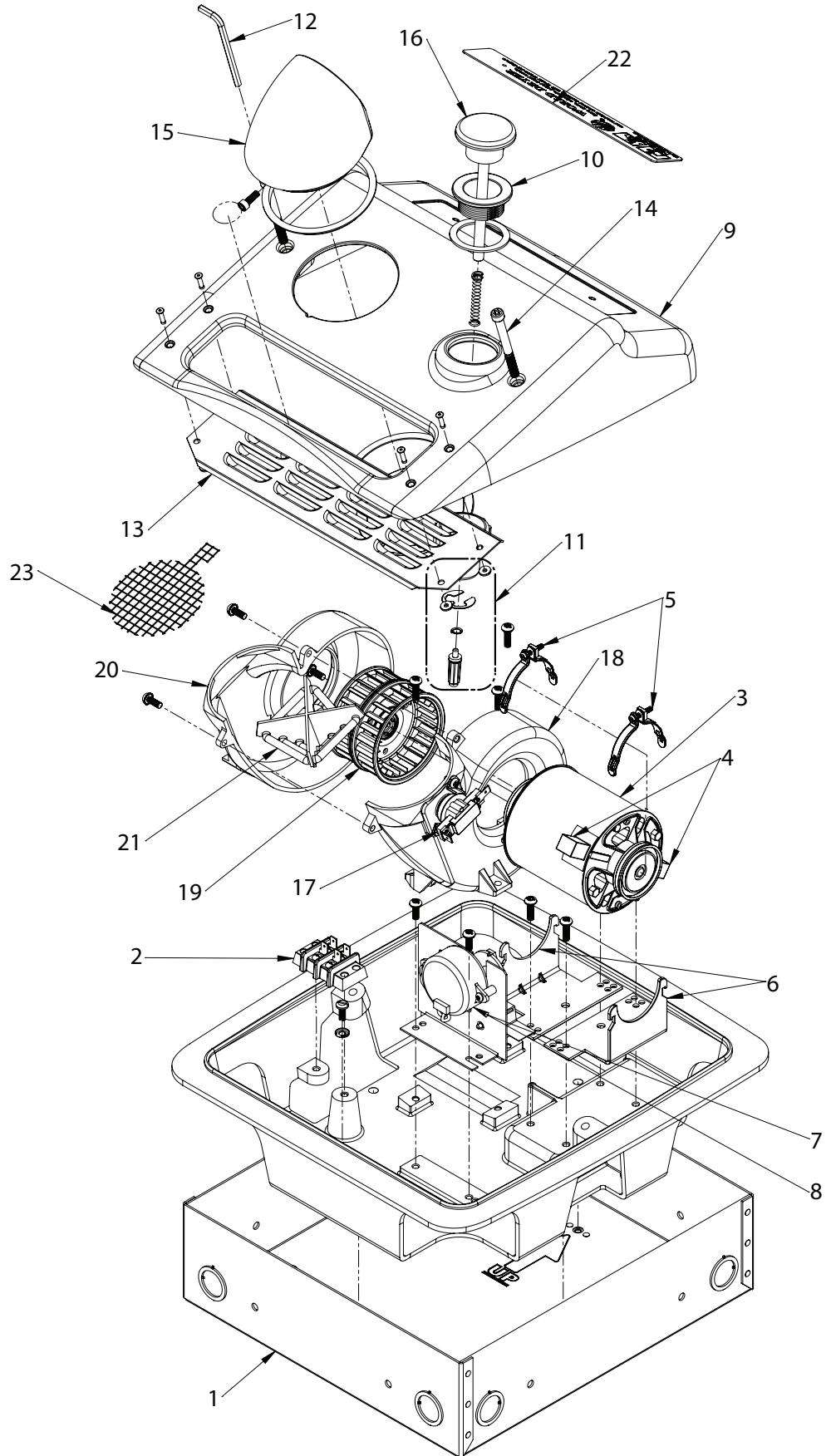
△ Not shown.

Parts List

Figure 2.2 - Repair Parts List For RB, RB1, RB3, RB38, RB7

For Repair Parts, visit
www.WorldDryer.com.

Please provide following
information:
Model number
Serial number
Part description and
number shown in parts list



#	Description	Part Number	Qty.
1	Wall Box (All)	17-034	1
2	Terminal Block (All)	156-3	1
3	Motor 115V, RB, RB1	210K	1
3	Motor 208/220-240V, RB3, RB38, RB7†	210ACEK	1
4	Motor Brush	206NL	2
5	Motor Mounting Strap	110-4A	2 sets
6	Motor Mounting Brackets	110-4	2
7	Micro Switch (All)	143F	1
8	Switch Timer Unit -115V, 80SEC RB, RB1	125H-K	1
8	Switch Timer Unit - 208-230V, 80Sec, RB8	125K-K	1
8	Switch Timer Unit - 220-240V, 50Hz, RB38	125P-K	1
8	Switch Timer Unit - 277V, 80Sec, RB7	225K7	1
9	Cover Complete, Cast Iron, Push-button, White (All)*	703B-974CK	1
10	Push-button Adapter, Gasket and Bushing Unit (All)	190K	1
11	Push-button Retaining Ring, Insulated Push Rod Tip, and Spring Kit (All)	193K	1
12	Security Allen Wrench, Cast Iron Cover	204TP	1
13	Inlet Grill, Cast Iron, Push-button, with Mtg. Hardware (All)	194-3K	1
14	Tamper Proof Cover Screw, Cast Iron Covers (All)	100B3	1
15	Nozzle Assembly Kit	34-172K	1
16	Push-button Assembly Kit (Knob, Rod, Ring, Spring and Tip) RA (All)	185K	1
17	Thermostat Only 3/4"	1111-03	1
18	Blower Scroll Half with Base Mount and Thermostat	211PA	1
19	Fan Metal	101i	1
20	Blower Scroll Half - Left Side	112P	1
21	Heating Element 115V, 20A, RB	213	1
21	Heating Element 115V, 15A, RB1	213B	1
21	Heating Element 230V, RB3, RB38	213A4	1
21	Heating Element 277V, 8.5A, RB7	213A7-2	1
22	Nameplate, Push-button RA (All) *	38-223	1
23	Grid, Ground Assy (All)	12-001	1
△	Resistor, 277V, 50Ω, 90W, RB7	43-10152	1

* Specify model when ordering.

(†) 277 Volt Models Use 210ACEK Motor (230 V Power Tap).

△ Not shown.

Maintenance

NOTE: Disconnect The Power Before Performing Any Of The Following

CLEANING INSTRUCTIONS:

Read complete Instructions before proceeding. Under normal use, cleaning the Dryer once a year will keep it in good operating condition. If the bath house traffic is heavier than normal, the cleaning should be done every 6 months. Lint and dust build up inside the dryer can result in damage to motor and heating element as well as hot emissions that could injure the user.

1. Remove two cover mounting screws from dryer cover using security Allen wrench provided. Support cover while removing screws.
2. Remove three (3) side screws holding blower housing together. Note position of heating element and protective screen. The lead wires are directed through the clearance hole in the blower housing halves. Carefully remove the heating element however, do not disconnect the wires.
3. Clean blower wheel halves using a 1/2" diameter radial bristle brush. Insert brush through space between individual blades and dislodge dirt. Do not bend or damage blades.
4. Vacuum out dirt from blower and housing, reposition heating element, protective screen and housing half and replace three (3) side screws. Tighten gently making sure that mica heating element pieces are positioned in housing slots with connecting wires passing through blower housing hole.
5. Use soft-medium bristle 1/2" paint brush to clean dust and dirt from motor and switch timer. Do not bend switch blade when cleaning.
6. Use a stiff brush to clean dirt from inside of nozzle grill and inlet grill. Water may be necessary to flush dirt from inlet grill. Dry inside of cover before replacing if water is used.
7. Inspect motor brushes. To inspect brushes insert tooth pick in hole in end of brush assembly. If tooth pick is inserted more than one inch, replace brushes. (See replacement instructions.)
8. Replace cover. Place cover squarely over base and push flush to wall. Insert 2 cover mounting screws and tighten until snug. Do not over-tighten.

REPLACEMENT OF MOTOR BRUSHES

1. Remove locking spring clip securing brush holder.
2. Draw brush cap out of motor slowly until wire connector appears.
3. Detach wire connector and remove brush and holder assembly.

NOTE: When unpacking brush assembly from carton it is important to hold carbon brush in brush holder securely. P/N 206NL

4. Insert new assembly to point where wire quick connect connection can be made.
5. Push brush quick-connects on motor and brush sleeve together.
6. Push brush assembly back in place and insert locking spring clip.

REPLACEMENT OF HEATING ELEMENT

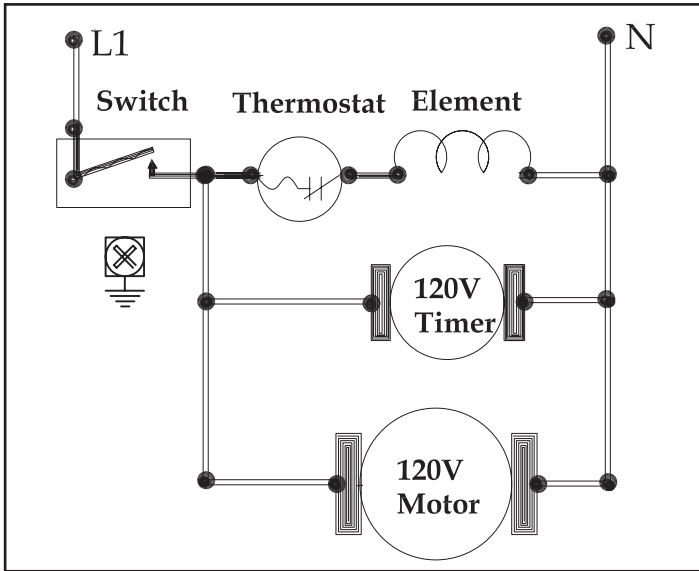
1. Remove three screws holding blower housing (#211P and #112P) together, and remove #112P side of housing.
2. Disconnect the white wires of the heating element at the terminal block and switch terminal. Replace with the new heating element of proper voltage and wattage, being careful to connect it identically to the old one.
3. Hold element in position on stationary side of blower housing and slip removable side in place, making sure element frames fit into grooves in blower housing and both wires run through notch at top of air outlet. Reinstall the protective screen and replace three screws fastening blower housing together.
4. Reconnect wires to terminal block and switch. Make certain all wires are properly reconnected and match the wiring diagram.

REPLACEMENT OF SWITCH TIMER MODELS AII

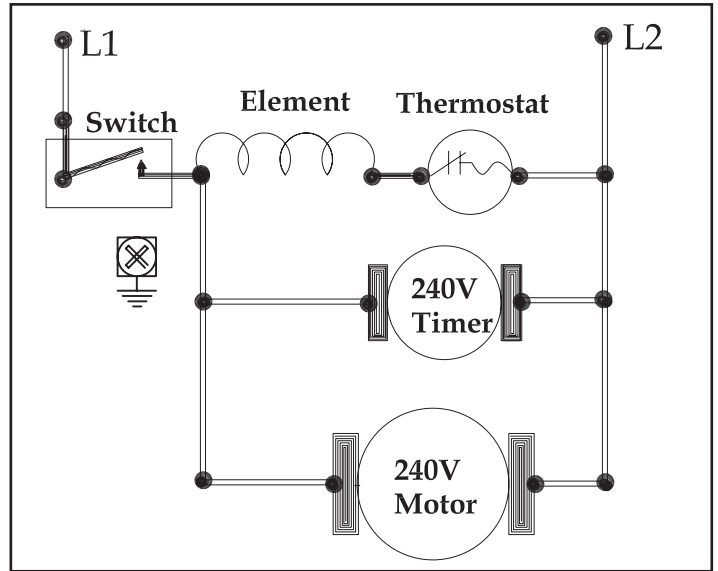
1. Remove screws from each of the two terminals on switch timer, marking wires for correct reconnection to switch terminals.
2. Replace defective timer with new one. (Specify Dryer Model when ordering Timer.)
3. Reconnect wires to terminals.
4. Replace cover (be sure cover fits squarely over base unit) and push in until cover is flush with wall and insert two cover mounting screws. Do not over-tighten the mounting screws.
5. Turn on power to dryer.

Wiring Diagram

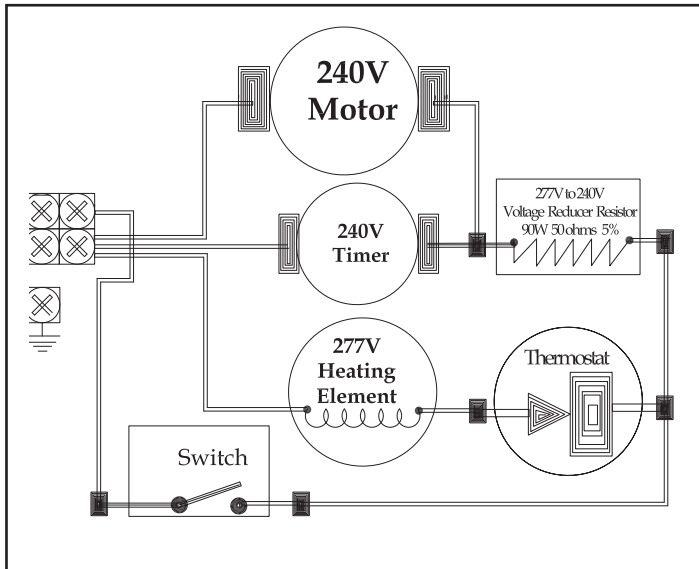
Wiring Diagram - Model B, B1, RB, RB1



Wiring Diagram - Model B3, RB3, B38, RB38



Wiring Diagram - Model B7, RB7



Troubleshooting Chart

Trouble shooting should only be conducted by a qualified electrician.

Symptom	Model	Possible Cause(s)	Corrective Action
Dryer fails to start	All	No power to the unit	Check if power is "ON" Check electrical connections.
	All	Faulty Timer / Switch Faulty Motor	With Dryer Cover Removed, depress the Timer Switch Blade; a. Timer Motor should turn. b. With an Ohm Meter, check for continuity across the Switch Terminals. "No" in either test, replace Timer Assembly; "Yes" in both tests, replace Motor.
Dryer runs continuous and will not shut-off.	All	Faulty Timer	With Dryer Cover Removed, depress the Timer Switch Blade; Timer Motor should turn. "No" replace Timer Assembly.
Dryer blows cold air.	All	Defective Heating Element Or Defective Thermostat	1. Check for break in Element Wire. 2. Check Heating Element and Thermostat for continuity. If open, replace as necessary.
Dryer air too hot.	All	Machine is dirty	1. Inspect for foreign material. Using a soft brush and vacuum, clean fan and motor. 2. Replace motor if running slow or erratic.
Dryer noisy or vibrates.	All	Fan not centered in housing	1. Fan may be rubbing against edge of Fan Housing. To center Fan; a. On plastic fan unit, carefully "tap" the Fan Hub with a screw driver & small hammer to center it until the Fan turns freely. b. On metal fans, loosen the set screw and adjust the fan until it turns freely.
		<ul style="list-style-type: none"> ■ Foreign object in Fan. ■ Broken or bent Fan. ■ Bent Motor shaft. 	1. Inspect for foreign material. Using a soft brush and vacuum, clean fan and motor. 1. Replace Fan. 1. Replace Motor.

Limited Warranty

WORLD DRYER LIMITED TEN – YEAR WARRANTY. World Warm Air Hair Dryer, Model covered in this manual, is warranted by World Dryer Corporation to the original user against defects in workmanship or materials under normal use for 10 years after date of purchase. Any part which is determined to be defective in material or workmanship and returned to an authorized service location, as World designates, shipping costs prepaid, will be, as the exclusive remedy, repaired or replaced at World's option. For limited warranty claim procedures, see PROMPT DISPOSITION below. This limited warranty gives purchasers specific rights from jurisdiction to jurisdiction.

LIMITATION OF LIABILITY. To the extent allowable under applicable law, World's liability for consequential and incidental damages is expressly disclaimed. World's liability in all events is limited to and shall not exceed the purchase price paid.

WARRANTY DISCLAIMER. World has made a diligent effort to provide product information and illustrate the products in this literature accurately; however, such information and illustrations are for the sole purpose of identification, and do not express or imply a warranty that the products are MERCHANTABLE, or FIT FOR A PARTICULAR PURPOSE, or that the products will necessarily conform to the illustrations or descriptions. Except as provided below, no warranty or affirmation on fact, expressed or implied, other than as stated in the "LIMITED WARRANTY" above is made or authorized by World.

PRODUCT SUITABILITY. Many jurisdictions have codes and regulations governing sales, construction, installation, and/or use of products for certain purposes, which may vary from those in neighboring areas. While World attempts to assure that the products comply with such codes, it cannot guarantee compliance, and cannot be responsible for how the product is installed or used. Before purchase and use of a product, review the product application, and all applicable national and local codes and regulations, and be sure that the product, installation, and use will comply with them.

Certain aspects of disclaimers are not applicable to consumer products; e.g., (a) some jurisdictions do not allow the exclusion or limitation of incidental or consequential damages, so the above limitation or exclusion may not apply to you; (b) also, some jurisdictions do not allow a limitation on how long an implied warranty lasts, consequentially the above limitation may not apply to you; and (c) by law, during the period of this Limited Warranty, and implied warranties of implied merchantability or fitness for particular purpose applicable to consumer products purchased by consumers, may not be excluded or otherwise disclaimed.

Manufactured by World Dryer Corporation, Berkeley, Illinois 60163 U.S.A.

PROMPT DISPOSITION. World will make a good faith effort for prompt correction or other adjustment with respect to any product which proves to be defective within limited warranty. For any product believed to be defective within limited warranty, first write or call dealer from whom the product was purchased. Dealer will give additional directions. If unable to resolve satisfactorily, write to World, giving dealer's name, address, date, and number of dealer's invoice, and describing the nature of defect. Title and risk of loss pass to buyer on delivery to common carrier. If product was damaged in transit to you, file claim with carrier.