

Please read and save these instructions. Read carefully before attempting to assemble, install, operate or maintain the product described. Protect yourself and others by observing all safety information. Failure to comply with instructions could result in personal injury and/or property damage! Retain instructions for future reference.

World Dryer Airmax™ Hand Dryers

Description

World Dryer high performance warm air hand dryer, powered by a high speed universal motor, delivering 2300 Watts of drying power. This hand dryer runs on 115 Volts AC or 208/220-240 Volts AC electrical supply, depending on model. Automatic and push-button models are represented in this product group. This appliance is intended for use in hand drying, contributing to fast, hygienic and cost effective hand sanitation. This hand dryer may be used in commercial, industrial, office and public facility environments.

General Specifications

Model	Nozzle	Drying Cycle	Dimensions (W x H x D)	Weight (Lbs.)	Cover Material
(D)XM	Fixed	Automatic	11 ³ / ₈ " x 9 ⁵ / ₈ " x 8 ¹ / ₈ "	18/29	Steel/Iron
(D)M	Fixed	20 Seconds	11 ³ / ₈ " x 9 ⁵ / ₈ " x 8 ¹ / ₈ "	18/29	Steel/Iron

Electrical Specifications (cULus Listed, E19860, CE TUV-GS)

Model	Type	Electrical Input	Amperage	Watts
(D)XM5	Automatic	115 VAC / 60 Hz	20	2300
(D)M5	Pushbutton	115 VAC / 60 Hz	20	2300
(D)XM54	Automatic	208-230 VAC / 60 Hz	10	2300
(D)M54	Pushbutton	208-230 VAC / 60 Hz	10	2300
(D)XM548	Automatic	220-240 VAC / 50 Hz	10	2300
(D)M548	Pushbutton	220-240 VAC / 50 Hz	10	2300

Unpacking

1. Remove all packing material. Recycling is recommended.
2. Carefully remove the hand dryer from the shipping carton, using care not to drop the appliance.
3. Inspect carefully for any damage that may have occurred during transit. Check for any loose, missing or damaged parts. If the hand dryer is damaged, promptly inform the shipper or dealer where you purchased it.

General Safety Information

⚠ DANGER Failure to disconnect the power source before installation can result in serious injury or death from electric shock.

- Always disconnect the power source before servicing or installing the hand dryer.

⚠ DANGER Failure to properly ground this unit could result in severe electrical shock and / or death.

- The dryer must be properly grounded (Earthed) for safe operation. An identified ground connection point is supplied on the chassis of the dryer.
- Although not required by the U.S. National Electrical Code, we recommend GFCI protection in wet or damp locations or as required by local code.

Recommended Mounting Heights from Floor to Bottom of Dryer

Hand Dryer	in. (cm)
Men's washrooms	46 (117)
Women's washrooms	44 (112)
Children's washrooms, ages 4-7	32 (81)
Children's washrooms, ages 7-10	36 (91)
Children's washrooms, ages 10-13	40 (102)
Children's washrooms, ages 13-17	44 (112)
Handicap Mounting Height	37 (94)

Table 1

⚠ WARNING Risk of fire, personal injury or property damage are possible if local codes, U.S. NEC codes or safety recommendations are not followed.

- Use only the electrical power (voltage and frequency) specified for the model hand dryer being installed.
- Connect the hand dryer to the nearest suitable distribution panel.
- To limit a voltage drop, and insure efficient operation, use No. 12 wire or larger as required by local or U.S. National Electrical Code.
- Do not connect to a branch circuit with CB or fuse protection over 20 Amps. This is in compliance with the U.S. National Electrical Code #210-20.
- All automatic model hand dryers must have a dedicated 20 Amp circuit as required by Underwriters Laboratories, Inc. (UL).
- Route all field wiring away from any moving parts within the hand dryer.

⚠ CAUTION Improper mounting of this hand dryer could result in personal injury or property damage.

- Follow the mounting recommendations in Table 1.
- On a stud wall, one side of the hand dryer should be mounted to an existing stud.

World Dryer Airmax™ Hand Dryers

Installation

FOR MODELS (D)M5, 54, 548

1. Disconnect the power source.
2. Use the security Allen wrench supplied to remove the (2) cover mounting screws. Remove the cover from the dryer.
3. Place the hand dryer base on the wall at the desired location using Table 1 to determine the recommended mounting height. With the base so located, use it as a template to mark locations of the 4 mounting bolt holes on the wall. When two or more dryers are installed, they should be spaced 24" (61 cm) minimum from center to center.
4. Fasten the base to the wall, using the type of bolts suggested in Table 2.
5. Connect the dryer to the nearest suitable distribution panel.
6. Replace cover, making certain not to over-tighten cover bolts.

FOR AUTOMATIC DRYER MODELS (D)XM5, 54, 548

1. Disconnect the power source.
2. Use the security Allen wrench supplied to remove the (2) cover mounting screws. Remove the cover from the dryer.

3. Place the hand dryer base on the wall at the desired location using Table 1 to determine the recommended mounting height. With the base so located, use it as a template to mark locations of the 4 mounting bolt holes on the wall. When two or more dryers are installed, they should be spaced 24" (61 cm) minimum from center to center. Applies only to the Automatic models: ensure that no reflective object (such as a hand basin) is located directly under the infra-red sensor eye; the minimum distance is 18 inches.
4. All automatic dryers must have their own dedicated 20 amp circuit. This is a UL-suggested requirement.

IMPORTANT: Consult local and general regulations before performing dryer installation. Ensure that the electrical network is not overloaded. Do not connect to a branch circuit over 20 amps.

Maintenance

1. Remove fuse or shut off power to the dryer at fuse box.
2. With security Allen wrench supplied with dryer, remove two Allen screws from bottom side of dryer case.
3. Remove dryer cover.

CLEANING INSTRUCTIONS

Read complete Instructions before proceeding. Under normal use, cleaning the Dryer once a year will keep it in good operating condition. If the wash-room traffic is heavier than normal, the cleaning should be done every 6 months. Lint and dust build up inside the dryer can result in damage to motor and heating element as well as hot emissions that could injure the user.

1. Turn off dryer at circuit breaker or fuse panel.
2. Remove two cover mounting screws from dryer cover using security Allen wrench provided. Support cover while removing screws.
3. Remove three (3) side screws holding blower housing together. Note position of heating element. The lead wires are directed through the clearance hole in the blower housing halves. Carefully remove the heating element however, do not disconnect the wires.
4. Clean blower wheel halves using a 1/2" diameter radial bristle brush. Insert brush through space between individual blades and dislodge dirt. Do not bend blades.

NOTE: When using surface mount wiring, an optional, available offset fitting #100BR must be ordered to adapt the wiring to 1/2" EMT.

Type of Wall	Type of Bolt	Minimum Bolt Length
Hollow Tile, Lath, Wall Board or Metal	1/4" (M6) Screw Type or Wing Type Toggle Bolts	Dependent on wall thickness
Cement, Brick, or Tile Covered Cement or Brick	1/4" (M6) Stud Type Expansion Bolts	3" (76 mm)
Stud Wall with Wood Backing	No.16 (M8) Wood Screws	2 3/4" (70 mm)

Table 2

Models (D)XM and (D)M

Maintenance (Continued)

5. Vacuum out dirt from blower and housing, reposition heating element and housing half and replace three (3) side screws. Tighten gently making sure that mica heating element pieces are positioned in housing slots with connecting wires passing through blower housing hole.
6. Use soft-medium bristle 1/2" paint brush to clean dust and dirt from motor and switch timer. Do not bend switch blade when cleaning.
7. Use a stiff brush to clean dirt from inside of nozzle grill and inlet grill. Water may be necessary to flush dirt from inlet grill. Dry inside of cover before replacing if water is used.
8. Inspect motor brushes. To inspect brushes insert tooth pick in hole in end of brush assembly. If tooth pick is inserted more than one inch, replace brushes. (See replacement instructions.)
9. Replace cover. Place cover squarely over base and push flush to wall. Insert 2 cover mounting screws and tighten until snug. Do not over-tighten.

REPLACEMENT OF MOTOR BRUSHES

1. Remove locking spring clip securing brush holder.
2. Draw brush cap out of motor slowly until wire connector appears.
3. Detach wire connector and remove brush and holder assembly.

NOTE: When unpacking brush assembly from carton it is important to hold carbon brush in brush holder securely. P/N 206NL

4. Insert new assembly to point where wire quick connect connection can be made.
5. Push brush quick-connects on motor and brush sleeve together.
6. Push brush assembly back in place and insert locking spring clip.

REPLACEMENT OF HEATING ELEMENT

1. Remove three screws holding blower housing (#211PA and #112P) together, and remove #112P side of housing.
2. Disconnect the white wires of the heating element at the terminal block and switch terminal. Replace with the new heating element of proper voltage and wattage, being careful to connect it identically to the old one.

3. Hold element in position on stationary side of blower housing and slip removable side in place, making sure element frames fit into grooves in blower housing and both wires run through notch at top of air outlet, and replace three screws fastening blower housing together.
4. Reconnect wires to terminal block and switch. Make certain all wires are properly reconnected and match the wiring diagram located on the inside of the Dryer Cover.

REPLACEMENT OF SWITCH TIMER MODELS (D)M5, 54, 548

1. Remove screws from each of the two terminals on switch timer, marking wires for correct reconnection to switch terminals.
2. Replace defective timer with new one. (Specify Dryer Model when ordering Timer.)
3. Reconnect wires to terminals.
4. Replace cover (be sure cover fits squarely over base unit) and push in until cover is flush with wall and insert two cover mounting screws. Do not over-tighten the mounting screws.
5. Turn on power to dryer.

For Repair Parts, call 1 (708) 449-0701

Please provide following information:

- Model number
- Serial number
- Part description and number as shown in parts list

E
N
G
L
I
S
H

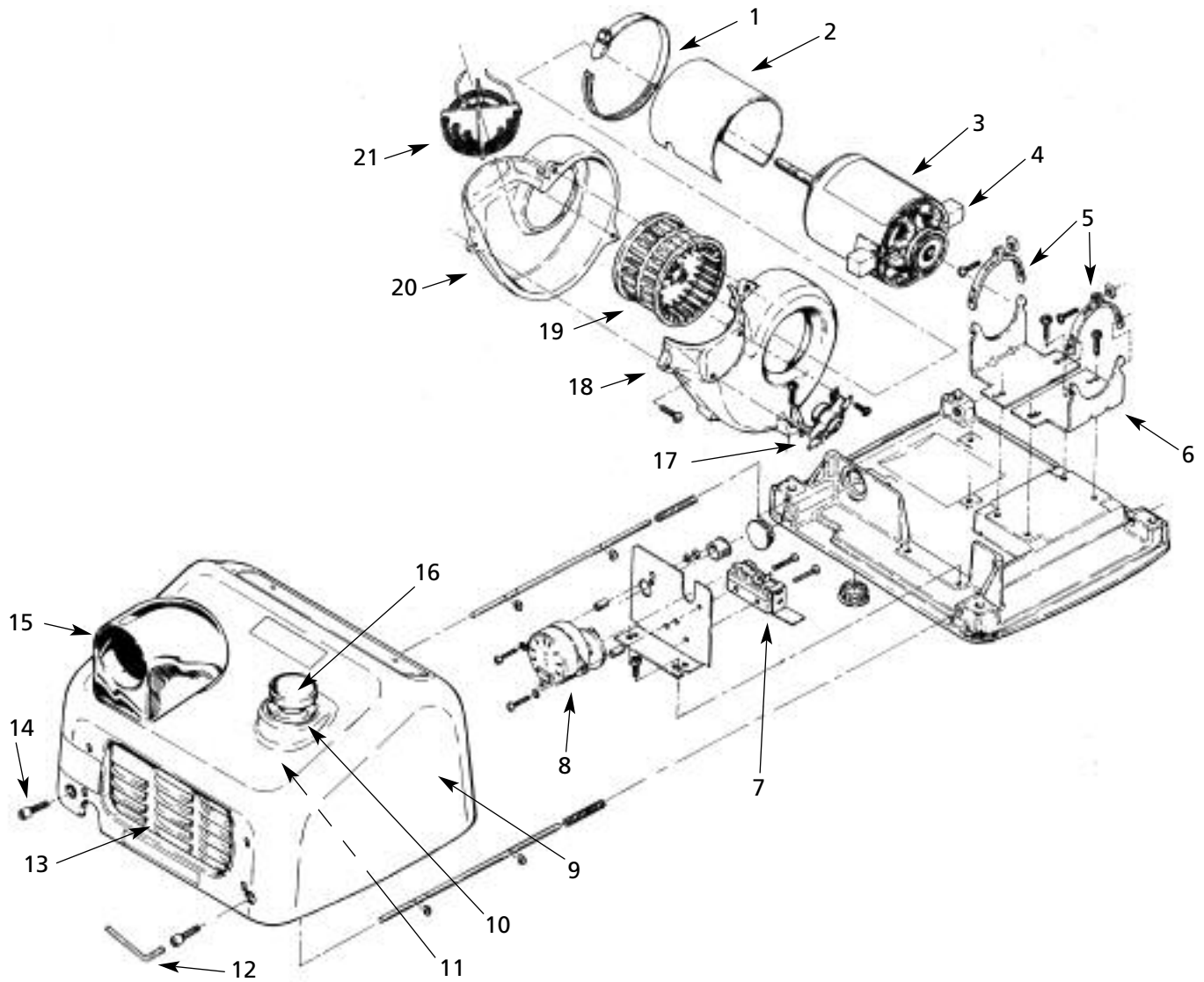


Figure 1 - Repair Parts Illustration for Hand Dryers

Models (D)XM and (D)M

Repair Parts List for Hand Dryers

Reference Number	Description	Part Number	Quantity
1	Clamp, Motor Baffle	23-100	1
2	Baffle, Motor	127HS	1
3	Motor (D)XM5, (D)M5	32-120K	1
	Motor (D)XM54, (D)M54, (D)XM548, (D)M548	32-230K	1
4	Motor Brush	206NL	2
5	Motor Mounting Strap	110-4A	2 sets
6	Motor Mounting Brackets	110-4	2
7	Micro Switch Only (D)M(All)	143F	1
8	Switch Timer Unit (D)M5	125XMK	1
	Switch Timer Unit (D)M54	125AMK	1
	Switch Timer Unit (D)M548	125MCEK	1
9	Cover Complete, Cast Iron, Automatic, White XM(All)*	72DXM5-974K	1
	Cover Complete, Cast Iron, Pushbutton, White M(All)*	70M5-974K	1
	Cover Complete, Steel, Automatic, White DXM(All)*	70XM5-974K	1
	Cover Complete, Steel, Pushbutton, White DM(All)*	72DM5-974K	1
	Cover Complete, Stainless Steel, Auto/Pushbutton*	Call to Order	1
10	Pushbutton Adapter, Gasket and Bushing Unit (D)M(All)	190K	1
11	Pushbutton Retaining Ring, Insulated Push Rod Tip, and Spring Kit (D)M(All)	193K	1
12	Security Allen Wrench	204TP	1
13	Inlet Grill, Cast Iron, Pushbutton, with Mtg. Hardware M(All)	194-1K	1
14	Tamper Proof Cover Screw, Cast Iron Covers XM, M(All)	100B2	2
	Tamper Proof Cover Screw, Steel Covers DXM, DM(All)	46-330	2
	Lock Washer, Steel Covers DXM, DM(All)	59-005028	2
15	Nozzle Assembly Kit	34-172K	1
16	Pushbutton Assembly Kit (Knob, Rod, Ring, Spring and Tip) (D)M(All)	185K	1
17	Thermostat Only 3/4"	1111-03	1
18	Blower Scroll Half with Base Mount and Thermostat	211PA	1
19	Blower Plastic	101P	1
20	Blower Scroll Half with Terminal Block - Left Side	112P	1
21	Heating Element (D)XM5, (D)M5	213XM	1
	Heating Element (D)XM54, (D)M54, (D)XM548, (D)M548	213AM	1
Δ	Automatic Sensor Control - 115 V (D)XM	16-230-120 (D)A	1
Δ	Automatic Sensor Control - 208-230 V (D)XM54	16-240-208 (D)A	1
Δ	Automatic Sensor Control - 220-240 V, 50Hz CE Only (D)XM548	16-230-240 CE	1
Δ	Infrared Sensor, Eye (D)XM(All)	49-238	1
Δ	Filter, Electronic, 50Hz CE Only (D)XM548, (D)M548	110-2	1

(*) Specify model when ordering.

(Δ) Not shown.

World Dryer Airmax™ Hand Dryers

Troubleshooting Chart

Symptom	Possible Cause(s)	Corrective Action
Dryer fails to start	No power to unit	Check power to unit and connections
A glow is seen through nozzle but no air is blowing	Defective motor	Replace motor brushes or motor if bad
Dryer blows cold air	Defective heating element or defective thermostat	Disconnect the unit from the electrical supply and remove the cover. Check the heating element and thermostat with a universal meter and replace if necessary
Automatic model dryer will not shut off	Sensor is dirty, defective or there is a reflection	<ol style="list-style-type: none"> 1. Check infra-red eye for dirt or damage. Use plastic lenses cleaning solution and a soft cloth. Dry lens with a soft cloth 2. Make sure that sensor is not getting a reflection from another object 3. Test relay/contactor for coil continuity using an ohm meter. Coil resistance should not exceed 2000 ohms 4. After electricity has been applied to the dryer, it should turn on within a few seconds. Test by placing hands 3 to 6 inches below the nozzle

LIMITED WARRANTY

WORLD TEN-YEAR LIMITED WARRANTY. WORLD DRYER AIRMAX™ HAND DRYERS, MODELS COVERED IN THIS MANUAL, ARE WARRANTED BY WORLD DRYER CORP. TO THE ORIGINAL USER AGAINST DEFECTS IN WORKMANSHIP OR MATERIALS UNDER NORMAL USE FOR TEN YEARS AFTER DATE OF PURCHASE. ANY PART WHICH IS DETERMINED TO BE DEFECTIVE IN MATERIAL OR WORKMANSHIP AND RETURNED, SHIPPING COSTS PREPAID, WILL BE, AS THE EXCLUSIVE REMEDY, REPAIRED OR REPLACED AT WORLD'S OPTION. FOR LIMITED WARRANTY CLAIM PROCEDURES, SEE "PROMPT DISPOSITION" BELOW. THIS LIMITED WARRANTY GIVES PURCHASERS SPECIFIC LEGAL RIGHTS WHICH VARY FROM JURISDICTION TO JURISDICTION.

LIMITATION OF LIABILITY. TO THE EXTENT ALLOWABLE UNDER APPLICABLE LAW, WORLD'S LIABILITY FOR CONSEQUENTIAL AND INCIDENTAL DAMAGES IS EXPRESSLY DISCLAIMED. WORLD'S LIABILITY IN ALL EVENTS IS LIMITED TO AND SHALL NOT EXCEED THE PURCHASE PRICE PAID.

WARRANTY DISCLAIMER. A DILIGENT EFFORT HAS BEEN MADE TO PROVIDE PRODUCT INFORMATION AND ILLUSTRATE THE PRODUCTS IN THIS LITERATURE ACCURATELY; HOWEVER, SUCH INFORMATION AND ILLUSTRATIONS ARE FOR THE SOLE PURPOSE OF IDENTIFICATION, AND DO NOT EXPRESS OR IMPLY A WARRANTY THAT THE PRODUCTS ARE MERCHANTABILITY, OR FIT FOR A PARTICULAR PURPOSE, OR THAT THE PRODUCTS WILL NECESSARILY CONFORM TO THE ILLUSTRATIONS OR DESCRIPTIONS. EXCEPT AS PROVIDED BELOW, NO WARRANTY OR AFFIRMATION OF FACT, EXPRESSED OR IMPLIED, OTHER THAN AS STATED IN THE "LIMITED WARRANTY" ABOVE IS MADE OR AUTHORIZED BY WORLD.

Technical Advice and Recommendations, Disclaimer. Notwithstanding any past practice or dealings or trade custom, sales shall not include the furnishing of technical advice or assistance or system design. World assumes no obligations or liability on account of any unauthorized recommendations, opinions or advice as to the choice, installation or use of products.

Product Suitability. Many jurisdictions have codes and regulations governing sales, construction, installation, and/or use of products for certain purposes, which may vary from those in neighboring areas. While attempts are made to assure that World products comply with such codes, World cannot guarantee compliance, and cannot be responsible for how the product is installed or used. Before purchase and use of a product, review the product applications, and all applicable national and local codes and regulations, and be sure that the product, installation, and use will comply with them.

Certain aspects of disclaimers are not applicable to consumer products; e.g., (a) some jurisdictions do not allow the exclusion or limitation of incidental or consequential damages, so the above limitation or exclusion may not apply to you; (b) also, some jurisdictions do not allow a limitation on how long an implied warranty lasts, consequently the above limitation may not apply to you; and (c) by law, during the period of this Limited Warranty, any implied warranties of implied merchantability or fitness for a particular purpose applicable to consumer products purchased by consumers, may not be excluded or otherwise disclaimed.

Prompt Disposition. A good faith effort will be made for prompt correction or other adjustment with respect to any product which proves to be defective within limited warranty. For any product believed to be defective within limited warranty, first write or call dealer from whom the product was purchased. Dealer will give additional directions. If unable to resolve satisfactorily, write to World at address below, giving dealer's name, address, date, and number of dealer's invoice, and describing the nature of the defect. Title and risk of loss pass to buyer on delivery to common carrier. If product was damaged in transit to you, file claim with carrier.

Manufactured by World Dryer Corp.
Berkeley, Illinois 60163 U.S.A.



Por favor lea y guarde estas instrucciones. Léalas cuidadosamente antes de tratar de montar, instalar, operar o dar mantenimiento al producto aquí descrito. Protéjase usted mismo y a los demás observando toda la información de seguridad. ¡El no cumplir con las instrucciones puede ocasionar daños, tanto personales como a la propiedad! Guarde estas instrucciones para referencia en el futuro.

Secamanos World Dryer Airmax™

Descripción

El Secamanos por aire caliente de alto rendimiento World Dryer, impulsado por un motor universal de alta velocidad, suministra 2300 vatios de potencia de secado. Este secamanos funciona con un suministro eléctrico de 115 voltios de CA o 208/220-240 voltios de CA, dependiendo del modelo. Este grupo de productos incluye modelos automáticos y de activación por botón pulsador. Este aparato ha sido diseñado para uso como un secador de manos, lo cual contribuye a una limpieza rápida, higiénica y costo-efectiva de las manos. Este secamanos se puede usar en entornos comerciales, industriales, de oficinas e instalaciones públicas.

Especificaciones Generales

Modelo	Boquilla	Tiempo de secado	Dimensiones (A x Alt. x P)	Peso (kg)	Material de la cubierta
(D)XM	Fija	Automático	289 x 244 x 206 mm	8,2/13,2	Acero/Hierro
(D)M	Fija	20 segundos	289 x 244 x 206 mm	8,2/13,2	Acero/Hierro

Especificaciones Eléctricas (Clasificación cULus, E19860, CE TUV-GS)

Modelo	Tipo	Entrada eléctrica	Amperaje	Vatios
(D)XM5	Automático	115 VCA / 60 Hz	20	2300
(D)M5	Botón pulsador	115 VCA / 60 Hz	20	2300
(D)XM54	Automático	208-230 VCA / 60 Hz	10	2300
(D)M54	Botón pulsador	208-230 VCA / 60 Hz	10	2300
(D)XM548	Automático	220-240 VCA / 50 Hz	10	2300
(D)M548	Botón pulsador	220-240 VCA / 50 Hz	10	2300

Desembalaje

1. Retire todos los materiales de embalaje. Se recomienda reciclar los materiales.
2. Extraiga cuidadosamente el secamanos de la caja de envío, sin dejar caer el aparato.
3. Inspeccione el producto cuidadosamente para verificar si se han producido daños durante el transporte. Revise para verificar si hay partes sueltas, que faltan o que están dañadas. Si el secamanos está dañado, infórmele prontamente sobre dicho daño al consignador o al concesionario de quien compró el secamanos.

Información de Seguridad General

⚠ PELIGRO No desconectar la fuente de alimentación eléctrica antes de realizar la

instalación, puede resultar en lesiones graves o la muerte debido a un choque eléctrico.

- Siempre desconecte la fuente de energía antes de instalar el secamanos o darle mantenimiento al mismo.

⚠ PELIGRO No conectar correctamente a tierra esta unidad puede resultar en un choque eléctrico grave y/o la muerte.

Alturas de montaje recomendadas desde el suelo hasta el lado inferior del secamanos

Secamanos	cm (pulg.)
Baños de hombres	117 (46)
Baños de mujeres	112 (44)
Baños de niños, edades de 4 a 7	81 (32)
Baños de niños, edades de 7 a 10	91 (36)
Baños de niños, edades de 10 a 13	102 (40)
Baños de niños, edades de 13 a 17	112 (44)
Altura de montaje para discapacitados	94 (37)

Tabla 1

- Este secamanos se debe conectar correctamente a tierra (unida a tierra) para que funcione en forma segura. En el chasis del secamanos se suministra un punto de conexión a tierra identificado.
- Aunque el Código Eléctrico Nacional (NEC, por sus siglas en inglés) estadounidense no lo exige, nosotros recomendamos utilizar una protección GFCI (interruptor de circuito de fallo a tierra) en los lugares mojados o húmedos o donde lo exija el código local.

⚠ ADVERTENCIA Los siguientes: **riesgo de incendio, lesiones personales o daño a la propiedad son posibles si no se cumple con los códigos locales, el código eléctrico nacional (NEC) estadounidense o las recomendaciones de seguridad.**

- Utilice únicamente la energía eléctrica (voltaje y frecuencia) especificada para el modelo de secamanos que se esté instalando.
- Conecte el secamanos en el panel de distribución adecuado más cercano.
- Para limitar las caídas de voltaje, y garantizar un funcionamiento eficiente, utilice un conductor de tamaño número 12 o más grande de acuerdo con los requisitos de su localidad o del código eléctrico nacional estadounidense.

Secamanos World Dryer Airmax™

Información de Seguridad General (Continuación)

- No conecte la unidad en un circuito ramal con protección de un corta-circuito o fusible de más de 20 amperios. Esto es de acuerdo con la norma #210-20 del Código Eléctrico Nacional estadounidense.
- Todos los modelos automáticos de secamanos deben tener un circuito dedicado de 20 amperios para satisfacer los requisitos de Underwriters Laboratories, Inc. (UL).
- Encamine todo el cableado realizado durante la instalación lejos de todas las partes móviles dentro del secamanos.

▲ ATENCIÓN *El montaje incorrecto de este secamanos puede ocasionar lesiones personales o daño a la propiedad.*

- Siga las recomendaciones de montaje en la Tabla 1.
- En una pared con postes de soporte, se debe montar un lado del secamanos en un poste existente.

Instalación

PARA LOS MODELOS (D)M5, 54, 548

1. Desconecte la fuente de alimentación.
2. Utilice la llave Allen de seguridad suministrada para extraer los (2) tornillos de montaje de la cubierta. Retire la cubierta del secador.
3. Coloque la base del secamanos en el lugar deseado en la pared usando la Tabla 1 para determinar la altura de montaje recomendada. Con la base ya situada, utilícela como una plantilla para marcar los lugares de los 4 orificios en la pared para los pernos de montaje. Cuando se instalan dos o más secadores, estos deben separarse 61 cm (24 pulg.) como mínimo de centro a centro. Sólo aplica a los modelos automáticos: asegúrese que no haya ningún objeto reflexivo (tal como un lavabo) situado directamente debajo del ojo sensor infrarrojo; la distancia mínima es 46 cm (18 pulg.).
4. Todos los secadores automáticos deben tener su propio circuito dedicado de 20 amperios según el requisito de UL.

los 4 orificios en la pared para los pernos de montaje. Cuando se instalan dos o más secadores, estos deben separarse 61 cm (24 pulg.) como mínimo de centro a centro.

4. Fije la base en la pared, usando el tipo de pernos sugerido en la Tabla 2.
5. Conecte el secador en el panel de distribución adecuado más cercano.
6. Monte la cubierta, y asegúrese de no apretar demasiado los pernos.

PARA LOS MODELOS DE SECADOR AUTOMÁTICOS (D)XM5, 54, 548

1. Desconecte la fuente de alimentación.
2. Utilice la llave Allen de seguridad suministrada para extraer los (2) tornillos de montaje de la cubierta. Retire la cubierta del secador.
3. Coloque la base del secamanos en el lugar deseado en la pared usando la Tabla 1 para determinar la altura de montaje recomendada. Con la base ya situada, utilícela como una plantilla para marcar los lugares de los 4 orificios en la pared para los pernos de montaje. Cuando se instalan dos o más secadores, estos deben separarse 61 cm (24 pulg.) como mínimo de centro a centro. Sólo aplica a los modelos automáticos: asegúrese que no haya ningún objeto reflexivo (tal como un lavabo) situado directamente debajo del ojo sensor infrarrojo; la distancia mínima es 46 cm (18 pulg.).
4. Todos los secadores automáticos deben tener su propio circuito dedicado de 20 amperios según el requisito de UL.

IMPORTANTE: Consulte los reglamentos locales y generales antes de realizar la instalación del secador. Asegúrese que la red eléctrica no esté sobrecargada. No conecte la unidad en un circuito ramal de más de 20 amperios.

Mantenimiento

1. Extraiga el fusible o corte la alimentación eléctrica para el secador en la caja de fusibles.
2. Con la llave Allen de seguridad suministrada con el secador, extraiga dos tornillos Allen del lado inferior de la caja del secador.
3. Retire la cubierta del secador.

INSTRUCCIONES DE LIMPIEZA

Lea todas las instrucciones antes de proceder. Bajo uso normal, la limpieza del Secador una vez al año lo mantendrá en buena condición de funcionamiento. Si el tráfico en el baño es más pesado que lo normal, la limpieza debe realizarse cada 6 meses. Las acumulaciones de pelusas y polvo dentro del secador pueden dañar el motor y el elemento calentador, y también pueden producir emisiones calientes que podrían lesionar a los usuarios.

1. Apague el secador en el panel de fusibles o del cortacircuito.
2. Extraiga dos tornillos de montaje de la cubierta del secador usando la llave Allen de seguridad suministrada. Sujete la cubierta mientras extrae los tornillos.

AVISO: Cuando se utilice cableado para montaje en superficies, se debe pedir el accesorio de desplazamiento disponible número 100BR para adaptar el cableado a la tubería metálica eléctrica (EMT, por sus siglas en inglés) de 12,7 mm (1/2 pulg.).

Tipo de pared	Tipo de perno	Longitud mínima del perno
Baldosa hueca, malla, pared de yeso o metal	Tornillo tipo (M6) de 1/4 pulg. o pernos acodados de tipo mariposa	Depende del grosor de la pared
Cemento, ladrillo, o cemento o ladrillo recubierto con baldosas	Pernos de expansión de tipo para postes (M6) de 1/4 pulg.	76 mm (3 pulg.)
Pared soportada con postes con respaldo de madera	Tornillos para madera (M8) número 16	70 mm (2¾ pulg.)

Tabla 2

Modelos (D)XM y (D)M

Mantenimiento (Continuación)

3. Extraiga tres (3) tornillos laterales que sujetan la carcasa del soplador. Observe la posición del elemento calentador. Los conductores de acometida están orientados hacia el agujero de alivio en las mitades de la carcasa del soplador. Retire cuidadosamente el elemento calentador; sin embargo, no desconecte los conductores.
4. Limpie las mitades de la rueda del soplador usando un cepillo cilíndrico de cerdas radiales de 12,7 mm (1/2 pulg.) de diámetro. Inserte el cepillo en los espacios entre las paletas individuales y desaloje la suciedad. No doble las paletas.
5. Aspire la suciedad del secador y la carcasa, vuelva a colocar el elemento calentador y la mitad de la carcasa y reinstale los tres (3) tornillos laterales. Apriete ligeramente y asegúrese que las piezas del elemento calentador de mica estén situadas en las ranuras de la carcasa y los conductores de conexión pasen a través del agujero en la carcasa del soplador.
6. Use una brocha para pintar de cerdas medio-suave de 12,7 mm (1/2 pulg.) para limpiar el polvo y la suciedad del motor y del temporizador interruptor. No doble las paletas del interruptor cuando limpie el mismo.
7. Utilice un cepillo de cerdas firmes para limpiar la suciedad del interior de la rejilla de la boquilla y de la rejilla de entrada. Quizá se necesite agua para purgar la suciedad de la rejilla de entrada. Si se utiliza agua, seque el interior de la cubierta antes de volverla a montar.
8. Inspeccione las escobillas del motor. Para inspeccionar las escobillas, inserte un palillo de dientes en el agujero en el extremo del conjunto de la escobilla. Si puede insertar el palillo de dientes más de 2.5 cm, reemplace las escobillas. (Consulte las instrucciones de reemplazo).

9. Vuelva a instalar la cubierta. Coloque la cubierta encuadrada sobre la base y presiónela hasta que esté al ras contra la pared. Inserte dos (2) tornillos de montaje de la cubierta y apriételos hasta que estén ajustados. No los apriete demasiado.

REEMPLAZO DE LAS ESCOBILLAS DEL MOTOR

1. Retire la presilla de resorte de fijación que sujeta el portaescobillas.
2. Saque lentamente la tapa de la escobilla fuera del motor hasta que aparezca el conector del conductor.
3. Desconecte el conector del conductor y retire el conjunto del portaescobilla y la escobilla.

AVISO: Cuando desembale el conjunto de las escobillas de la caja de envío, es importante mantener firmemente sujeta la escobilla de carbón en el portaescobillas. P/N 206NL

4. Inserte el conjunto nuevo en el punto donde se pueda hacer la conexión rápida del conductor.
5. Conecte a presión los manguitos de las escobillas en los conectores rápidos para escobillas en el motor.
6. Vuelva a colocar el conjunto de las escobillas en su lugar e inserte la presilla de resorte de fijación.

REEMPLAZO DEL ELEMENTO CALENTADOR

1. Extraiga los tres tornillos que sujetan la carcasa del soplador (número 211PA y número 112P), y retire el lado número 112P de la carcasa.
2. Desconecte los conductores blancos del elemento calentador en el bloque de terminales y de las terminales del interruptor. Instale el nuevo elemento calentador con tensión y vataje correctos, observando la misma conexión que se utilizó con el elemento calentador antiguo.

3. Sujete el elemento en posición en el lado estacionario de la carcasa del soplador y deslice el lado desmontable en su lugar, asegurándose que las estructuras del elemento encajen en las ranuras en la carcasa del soplador y ambos conductores pasen a través de la muesca en la parte superior de la salida de aire, y reinstale los tres tornillos que sujetan la carcasa del soplador.
4. Vuelva a conectar los conductores en el bloque de terminales y el interruptor. Consulte el diagrama de cableado en la cubierta. Asegúrese de volver a conectar debidamente todos los conductores, prestando atención al diagrama de cableado dentro de la cubierta del secador.

REEMPLAZO DEL TEMPORIZADOR INTERRUPTOR EN LOS MODELOS (D)M5, 54, 548

1. Extraiga los tornillos de cada una de las dos terminales en el temporizador interruptor, y marque los conductores para poder volverlos a conectar correctamente en las terminales del interruptor.
2. Reemplace el temporizador defectuoso con uno nuevo. (Especifique el Modelo de Secador cuando pida el Temporizador).
3. Vuelva a conectar los conductores en las terminales.
4. Vuelva a instalar la cubierta (asegurándose que la cubierta encaje perfectamente sobre la unidad base) y presiónela hacia adentro hasta que la cubierta esté al ras con la pared e inserte los dos tornillos de montaje de la cubierta. No apriete demasiado los tornillos de montaje.
5. Conecte la alimentación eléctrica para el secador.

Para Obtener Partes de Reparación llame al 1 (708) 449-0701

Por favor proporciónenos la siguiente información:

- Número de modelo
- Número de serie (si lo tiene)
- Descripción de la parte y número que le corresponde en la lista de partes

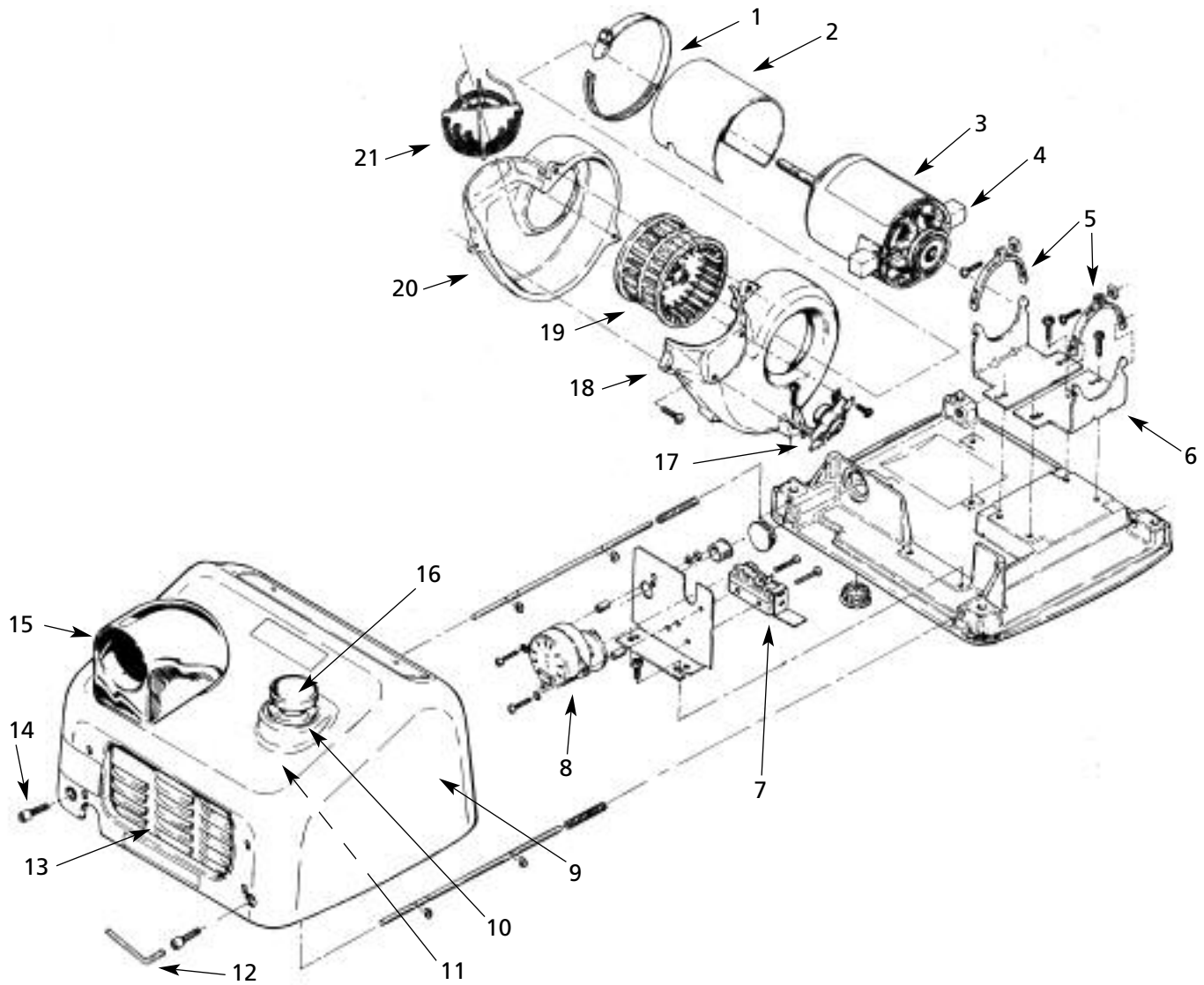


Figura 1 - Ilustración de las Partes de Reparación para los Secamanos

Modelos (D)XM y (D)M

Lista de Partes de Reparación para los Secamanos

No. de Ref.	Descripción	No. de Parte	Cant.
1	Abrazadera del deflector del motor	23-100	1
2	Deflector del motor	127HS	1
3	Motor (D)XM5, (D)M5	32-120K	1
	Motor (D)XM54, (D)M54, (D)XM548, (D)M548	32-230K	1
4	Escobilla del motor	206NL	2
5	Abrazadera de montaje del motor	110-4A	2 juegos
6	Piezas de soporte de montaje del motor	110-4	2
7	Micro interruptor sólo (D)M(todos)	143F	1
8	Unidad de temporizador interruptor (D)M5	125XMK	1
	Unidad de temporizador interruptor (D)M54	125AMK	1
	Unidad de temporizador interruptor (D)M548	125MCEK	1
9	Cubierta completa, hierro fundido, automático, blanco XM(todos)*	72DXM5-974K	1
	Cubierta completa, hierro fundido, botón pulsador, blanco M(todos)*	70M5-974K	1
	Cubierta completa, acero, automático, blanco DXM(todos)*	70XM5-974K	1
	Cubierta completa, acero, botón pulsador, blanco DM(todos)*	72DM5-974K	1
	Cubierta completa, acero inoxidable, automático/botón pulsador*	Llame para pedirlo	1
10	Unidad de adaptador de botón pulsador, empaquetadura y buje (D)M(todos)	190K	1
11	Juego de anillo de retención, punta de empuje aislada y resorte para botón pulsador (D)M(todos)	193K	1
12	Llave Allen de seguridad	204TP	1
13	Rejilla de entrada, hierro fundido, botón pulsador, con herrajes de montaje M(todos)	194-1K	1
14	Tornillo resistente a manipulaciones para la cubierta, cubiertas de hierro fundido XM, M(todos)	100B2	2
	Tornillo resistente a manipulaciones para la cubierta, cubiertas de acero DXM, DM(todos)	46-330	2
	Arandela de seguridad, cubiertas de acero DXM, DM(todos)	59-005028	2
15	Juego del conjunto de la boquilla	34-172K	1
16	Juego del conjunto del botón pulsador (perilla, varilla, anillo, resorte y punta) (D)M(todos)	185K	1
17	Termostato, sólo 3/4 pulg.	1111-03	1
18	Mitad de la voluta del soplador con montaje en la base y termostato	211PA	1
19	Soplador de plástico	101P	1
20	Mitad izquierda de la voluta del soplador con bloque de terminales	112P	1
21	Elemento calentador (D)XM5, (D)M5	213XM	1
	Elemento calentador (D)XM54, (D)M54, (D)XM548, (D)M548	213AM	1
Δ	Control automático por sensor - 115V (D)XM	16-230-120 (D)A	1
Δ	Control automático por sensor - 208-230V (D)XM54	16-240-208 (D)A	1
Δ	Control automático por sensor - 220-240V, 50Hz CE solamente (D)XM548	16-230-240 CE	1
Δ	Sensor infrarrojo, ojo (D)XM(todos)	49-238	1
Δ	Filtro electrónico, 50Hz CE solamente (D)XM548, (D)M548	110-2	1

(*) Especifique el modelo en su pedido.

(Δ) No se muestra.

Secamanos World Dryer Airmax™

Tabla de Identificación de Problemas

Síntoma	Causa(s) Posible(s)	Medida Correctiva
El secador no arranca	La unidad no recibe alimentación eléctrica	Verifique el suministro eléctrico para la unidad y las conexiones
Se ve un resplandor a través de la boquilla pero no sale aire	Motor defectuoso	Reemplace las escobillas del motor o el motor si están en mala condición
El secador sopla aire frío	Elemento calentador defectuoso o termostato defectuoso	Desconecte la unidad del circuito de suministro eléctrico y retire la cubierta. Verifique el elemento calentador y el termostato con un medidor universal y reemplácelos si es necesario
El modelo de secador automático no se apaga	El sensor está sucio, defectuoso o hay una reflexión	<ol style="list-style-type: none"> 1. Revise el ojo infrarrojo para ver si está sucio o dañado. Utilice una solución de limpieza para lentes de plástico y un paño suave. Seque el lente con un paño suave 2. Asegúrese que el sensor no esté recibiendo una reflexión de otro objeto 3. Compruebe el relé/contactador con un medidor de ohmios para verificar la continuidad de la bobina. La resistencia de la bobina no deberá ser superior a 2000 ohmios 4. Después de conectar la alimentación eléctrica para el secador, éste debe encenderse al cabo de unos cuantos segundos. Coloque las manos a una distancia de 7,5 a 15 cm por debajo de la boquilla de salida de aire del secador para comprobar si la unidad funciona

GARANTÍA LIMITADA

GARANTÍA LIMITADA DE DIEZ AÑOS DE WORLD. WORLD DRYER CORP. LE GARANTIZA AL USUARIO ORIGINAL QUE LOS MODELOS TRATADOS EN ESTE MANUAL DE LOS SECAMANOS WORLD DRYER AIRMAX™ ESTARÁN LIBRES DE DEFECTOS EN LA MANO DE OBRA O EL MATERIAL, CUANDO SE LES SOMETE A USO NORMAL, POR DIEZ AÑOS A PARTIR DE LA FECHA DE COMPRA. CUALQUIER PARTE QUE SE HALLE DEFECTUOSA, YA SEA EN EL MATERIAL O EN LA MANO DE OBRA, Y SEA DEVUELTA, CON LOS COSTOS DE ENVÍO PAGADOS POR ADELANTADO, SERÁ REPARADA O REEMPLAZADA A LA DISCRECIÓN DE WORLD COMO REMEDIO EXCLUSIVO. PARA OBTENER INFORMACIÓN SOBRE LOS PROCEDIMIENTOS DE RECLAMO CUBIERTOS EN LA GARANTÍA LIMITADA, VEA LA SECCIÓN "ATENCIÓN OPORTUNA" QUE APARECE MÁS ADELANTE. ESTA GARANTÍA LIMITADA CONFIERE AL COMPRADOR DERECHOS LEGALES ESPECÍFICOS QUE VARÍAN DE JURISDICCIÓN A JURISDICCIÓN.

LÍMITES DE RESPONSABILIDAD. EN LA MEDIDA EN QUE LAS LEYES APLICABLES LO PERMITAN, LA RESPONSABILIDAD DE WORLD POR LOS DAÑOS EMERGENTES O INCIDENTALES ESTÁ EXPRESAMENTE EXCLUIDA. LA RESPONSABILIDAD DE WORLD EXPRESAMENTE ESTÁ LIMITADA Y NO PUEDE EXCEDER EL PRECIO DE COMPRA PAGADO POR EL ARTÍCULO.

EXCLUSIÓN DE RESPONSABILIDAD DE LA GARANTÍA. WORLD SE HA ESFORZADO DILIGENTEMENTE PARA PROPORCIONAR INFORMACIÓN E ILUSTRACIONES APROPIADAS SOBRE EL PRODUCTO EN ESTE MANUAL; SIN EMBARGO, ESTA INFORMACIÓN Y LAS ILUSTRACIONES TIENEN COMO ÚNICO PROPÓSITO LA IDENTIFICACIÓN DEL PRODUCTO Y NO EXPRESAN NI IMPLICAN GARANTÍA DE QUE LOS PRODUCTOS SEAN VENDIBLES O ADECUADOS PARA UN PROPÓSITO EN PARTICULAR NI QUE SE AJUSTAN NECESARIAMENTE A LAS ILUSTRACIONES O DESCRIPCIONES. CON EXCEPCIÓN DE LO QUE SE ESTABLECE A CONTINUACIÓN, WORLD NO HACE NI AUTORIZA NINGUNA GARANTÍA O AFIRMACIÓN DE HECHO, EXPRESA O IMPLÍCITA, QUE NO SEA ESTIPULADA EN LA "GARANTÍA LIMITADA" ANTERIOR.

Consejo Técnico y Recomendaciones, Exclusiones de Responsabilidad. A pesar de las prácticas, negociaciones o usos comerciales realizados previamente, las ventas no deberán incluir el suministro de consejo técnico o asistencia o diseño del sistema. World no asume ninguna obligación o responsabilidad por recomendaciones, opiniones o consejos no autorizados sobre la elección, instalación o uso de los productos.

Adaptación del Producto. Muchas jurisdicciones tienen códigos o regulaciones sobre la venta, el diseño, la instalación y/o el uso de productos para ciertas aplicaciones; dichas leyes pueden variar de un área a otra. Si bien se trata de que los productos World cumplan con dichos códigos, World no puede garantizar su conformidad y no se puede hacer responsable por la forma en que se instale o use su producto. Antes de comprar y usar el producto, revise sus aplicaciones y todos los códigos y regulaciones nacionales y locales aplicables y asegúrese de que el producto, la instalación y el uso los cumplan.

Ciertos aspectos de limitación de responsabilidad no se aplican a productos al consumidor; es decir (a) algunas jurisdicciones no permiten la exclusión ni limitación de daños incidentales o consecuentes, de modo que las limitaciones o exclusiones anteriores quizás no apliquen en su caso; (b) asimismo, algunas jurisdicciones no permiten limitar el plazo de una garantía implícita, por lo tanto, la limitación anterior quizás no aplique en su caso; y (c) por ley, mientras la Garantía Limitada esté vigente no podrán excluirse ni limitarse en modo alguno ninguna garantía implícita de comercialización o de idoneidad para un propósito en particular aplicables a los productos al consumidor adquiridos por éste.

Atención Oportuna. Se hará un esfuerzo de buena fe para corregir puntualmente, o hacer otros ajustes, con respecto a cualquier producto que resulte defectuoso dentro de los términos de esta garantía limitada. En el caso de que encuentre un producto defectuoso y que esté cubierto dentro de los límites de esta garantía haga el favor de escribir primero, o llame, al distribuidor a quien le compró el producto. El distribuidor le dará las instrucciones adicionales. Si no puede resolver el problema en forma satisfactoria, escriba a World a la dirección a continuación, dando el nombre del distribuidor, su dirección, la fecha y el número de la factura del distribuidor y describa la naturaleza del defecto.

Fabricado por World Dryer Corp.
Berkeley, Illinois 60163 EE.UU.



Lire et conserver ces instructions. Il faut les lire attentivement avant de commencer à assembler, installer, faire fonctionner ou entretenir l'appareil décrit. Pour se protéger et protéger autrui, observer toutes les informations sur la sécurité. Négliger d'appliquer ces instructions peut causer des blessures corporelles et/ou des dommages matériels! Conserver ces instructions pour références ultérieures.

Sèche-mains World Dryer Airmax™

Description

Le sèche-mains à air chaud à moteur rapide universel et haute performance de World Dryer offre une puissance de séchage de 2 300 watts. Il fonctionne sur une alimentation électrique alternative de 115 volts ou de 208/220-240 volts, selon le modèle. Des modèles automatiques et à bouton-poussoir sont représentés dans cette gamme. Cet appareil est conçu pour sécher les mains de façon sanitaire d'une manière rapide, hygiénique et économique. Ce sèche-mains est conçu pour être utilisé dans les magasins, usines, bureaux et bâtiments publics.

Caractéristiques générales

Modèle	Base	Cycle de séchage	Dimensions (La x H x Pr)	Poids (kg)	Matériau du capot
(D)XM	Fixe	Automatique	289 x 244 x 206 mm	8,2/13,2	Acier/Fonte
(D)M	Fixe	20 secondes	289 x 244 x 206 mm	8,2/13,2	Acier/Fonte

Caractéristiques électriques (Homologation cULus, E19860, CE TUV-GS)

Modèle	Type	Alimentation électrique	Intensité	Watts
(D)XM5	Automatique	115 V c.a., 60 Hz	20	2 300
(D)M5	Bouton-poussoir	115 V c.a., 60 Hz	20	2 300
(D)XM54	Automatique	208-230 V c.a., 60 Hz	10	2 300
(D)M54	Bouton-poussoir	208-230 V c.a., 60 Hz	10	2 300
(D)XM548	Automatique	220-240 V c.a., 50 Hz	10	2 300
(D)M548	Bouton-poussoir	220-240 V c.a., 50 Hz	10	2 300

Déballage

1. Enlever tous les produits d'emballage. Il est recommandé de les recycler.
2. Enlever avec précaution le sèche-mains du carton en faisant attention de ne pas le faire tomber.
3. Vérifier soigneusement qu'aucun dommage n'est survenu durant le transport. Examiner les pièces pour voir si certaines sont desserrées, manquantes ou endommagées. Si le sèche-mains est endommagé, informer immédiatement l'expéditeur ou le concessionnaire qui vous l'a vendu.

Consignes générales de sécurité

⚠ DANGER *Le fait de négliger de débrancher la source d'alimentation avant de procéder à l'installation peut entraîner des blessures graves ou mortelles résultant d'un choc électrique.*

- Toujours débrancher la source d'alimentation avant de réparer ou d'installer le sèche-mains.

⚠ DANGER *Veiller à mettre cet appareil à la terre correctement afin d'éviter un risque de choc électrique grave, voire mortel.*

- Ce sèche-mains doit être mis à la terre correctement pour fonctionner en toute sécurité. Un point de raccordement à la terre est identifié sur le châssis du sèche-mains.

Sèche-mains	Hauteur de montage recommandée du sol au bas du sèche-mains cm (po)
Toilettes pour hommes	117 (46)
Toilettes pour femmes	112 (44)
Toilettes pour enfants de 4 à 7 ans	81 (32)
Toilettes pour enfants de 7 à 10 ans	91 (36)
Toilettes pour enfants de 10 à 13 ans	102 (40)
Toilettes pour enfants de 13 à 17 ans	112 (44)
Hauteur de montage pour handicapés	94 (37)

Tableau 1

- Bien que cela ne soit pas requis par le code national de l'électricité américain, nous recommandons une protection par disjoncteur de fuite à la terre dans les endroits mouillés ou humides, ou lorsque le code local l'exige.

⚠ AVERTISSEMENT *Un risque d'incendie, de blessures ou de dommages matériels est possible en cas d'inobservation des codes locaux, du code national de l'électricité américain ou des recommandations de sécurité.*

- N'utiliser que le type d'alimentation électrique (en termes de tension et de fréquence) spécifié pour le modèle de sèche-mains en cours d'installation.
- Raccorder le sèche-mains au tableau de distribution adapté le plus proche.
- Pour limiter les chutes de tension et garantir un fonctionnement efficace, utiliser du fil de calibre 12 ou plus gros si le code local ou national de l'électricité américain l'exige.
- Ne pas raccorder l'appareil à un circuit de dérivation protégé par un disjoncteur ou un fusible de plus de 20 A. Cette exigence est stipulée par l'article 210-20 du code national de l'électricité américain.
- Pour se conformer à l'homologation Underwriters Laboratories, Inc. (UL), tous les modèles automatiques de sèche-mains doivent être installés sur un circuit dédié de 20 ampères.

Sèche-mains World Dryer Airmax™

Informations générales sur la sécurité (suite)

- Faire passer l'ensemble du câblage sur site à l'écart des pièces mobiles qui sont à l'intérieur du sèche-mains.

ATTENTION *Un montage incorrect de ce sèche-mains peut provoquer des accidents corporels et des dommages matériels.*

- Suivre les recommandations de montage du Tableau 1.
- Sur une cloison lattée et plâtrée, monter un côté du sèche-mains sur un poteau existant.

Installation

POUR LES MODÈLES (D)M5, 54, 548

1. Couper la source d'alimentation électrique.
2. Utiliser la clé mâle à six pans de sécurité fournie pour enlever les deux (2) vis de montage du capot. Enlever le capot du sèche-mains.
3. Placer la base du sèche-mains sur le mur à l'endroit désiré en consultant le Tableau 1 pour déterminer la hauteur de montage recommandée. La base étant dans cette position, l'utiliser comme gabarit pour marquer l'emplacement des 4 trous de boulons de montage sur le mur. Lorsqu'on installe plusieurs sèche-mains, on doit observer une distance minimale de séparation entre eux de 61 cm de centre à centre.
4. Fixer la base au mur au moyen de boulons du type suggéré sur le Tableau 2.

5. Brancher le sèche-mains au tableau de distribution adapté le plus proche.
6. Remonter le capot en veillant à ne pas serrer excessivement les boulons de montage.

POUR LES MODÈLES AUTOMATIQUES (D)XM5, 54, 548

1. Couper la source d'alimentation électrique.
2. Utiliser la clé mâle à six pans de sécurité fournie pour enlever les deux (2) vis de montage du capot. Enlever le capot du sèche-mains.
3. Placer la base du sèche-mains sur le mur à l'endroit désiré en consultant le Tableau 1 pour déterminer la hauteur de montage recommandée. La base étant dans cette position, l'utiliser comme gabarit pour marquer l'emplacement des 4 trous de boulons de montage sur le mur. Lorsqu'on installe plusieurs sèche-mains, on doit observer une distance minimale de séparation entre eux de 61 cm de centre à centre. Considération uniquement applicable aux modèles automatiques : S'assurer qu'aucun objet réfléchissant (tel qu'un lavabo) ne se trouve juste en dessous de l'œil du capteur infrarouge ; la distance minimale est de 46 cm.
4. Tous les sèche-mains automatiques doivent disposer de leur propre circuit dédié de 20 A (recommandation de l'organisme d'homologation UL).

IMPORTANT : Consulter les réglementations locale et générale avant d'installer le sèche-mains. S'assurer que le réseau électrique n'est pas surchargé. Ne pas raccorder l'appareil à un circuit de dérivation de plus de 20 A.

Entretien

1. Retirer le fusible ou mettre le sèche-mains hors tension au niveau du coffret de fusibles.
2. À l'aide de la clé mâle à six pans de sécurité fournie avec le sèche-mains, dévisser les deux vis creuses du fond du boîtier de l'appareil.
3. Enlever le capot du sèche-mains.

INSTRUCTIONS DE NETTOYAGE

Lire toutes les instructions avant de procéder au nettoyage. Dans des conditions d'utilisation normales, le nettoyage du sèche-mains une fois par an le maintiendra en bon état de marche. Si la fréquentation des toilettes est supérieure à la normale, effectuer le nettoyage tous les 6 mois. L'accumulation de peluches et de poussières à l'intérieur du sèche-mains peut endommager le moteur et l'élément de chauffage et produire des émissions chaudes susceptibles de blesser l'utilisateur.

1. Couper l'alimentation électrique du sèche-mains au niveau du disjoncteur ou du panneau de fusibles.
2. À l'aide de la clé mâle à six pans de sécurité fournie avec le sèche-mains, dévisser les deux vis de montage retenant le capot. Soutenir le capot pendant l'enlèvement des vis.

REMARQUE : En cas de câblage par montage en surface, le raccord coudé en option n° de pièce 100BR doit être commandé pour le raccordement du câblage au tube électrique métallique d'alimentation de 1/2 pouce.

Type de mur	Type de boulon	Longueur minimum des boulons
Hourdis, lattes, panneaux de revêtement ou métal	Boulons type vis (M6) ou à ailettes 1/4 po	Dépend de l'épaisseur du mur
Ciment ou brique, carrelés ou non	Boulons à coquille d'expansion type goujon (M6) 1/4 po	76 mm (3 po)
Cloison lattée et plâtrée avec fond bois	Vis à bois (M8) n° 16	70 mm (2 ³ / ₄ po)

Tableau 2

Modèles (D)XM et (D)M

Entretien (suite)

3. Enlever les trois (3) vis latérales retenant l'ensemble du carter de la soufflante. Noter la position de l'élément de chauffage. Les fils conducteurs sont dirigés vers l'orifice de dégagement dans les moitiés du carter de la soufflante. Sans déconnecter les fils, enlever avec précaution l'élément de chauffage de son logement.
4. Nettoyer les moitiés de la roue de la soufflante en utilisant une brosse à soies radiales de 12,7 mm (1/2 po) de diamètre. En veillant à ne pas tordre les ailettes, brosser entre les ailettes pour déloger les salissures.
5. Avec un aspirateur, éliminer la poussière de la soufflante et de son carter, remettre en place l'élément de chauffage et sa moitié de carter, et revisser les trois (3) vis latérales. Serrer avec modération en veillant à ce que les pièces en mica de l'élément de chauffage soient positionnées dans leur logement et que les fils d'alimentation passent par l'orifice du carter de la soufflante.
6. En veillant à ne pas tordre la lame du minuteur, utiliser un pinceau à soies souples de 12,7 mm pour dépeussier et décrasser le moteur et le minuteur.
7. Utiliser une brosse dure pour nettoyer les salissures à l'intérieur des grilles de sortie et d'entrée d'air. Il peut être nécessaire d'utiliser de l'eau pour évacuer les salissures de la grille d'entrée. En cas d'utilisation d'eau, sécher l'intérieur du capot avant de le remonter.
8. Inspecter les balais du moteur. Pour cela, insérer un cure-dents dans l'orifice à l'extrémité de l'ensemble des balais. Si le cure-dents s'enfonce de plus de 2,5 cm, remplacer les balais. (Voir la rubrique Remplacement des balais du moteur.)

9. Remonter le capot en le plaçant droit sur la base et en le poussant contre le mur. Insérer les deux vis de montage du capot et les serrer jusqu'à ce qu'elles soient bien ajustées, sans toutefois les serrer excessivement.

REPLACEMENT DES BALAIS DU MOTEUR

1. Enlever la pince à ressort de verrouillage retenant le porte-balais.
2. Sortir lentement du moteur le capuchon des balais jusqu'à apparition du connecteur électrique.
3. Détacher le connecteur et enlever l'ensemble des balais et du porte-balais.

- REMARQUE :** Pendant le déballage hors du carton d'expédition de l'ensemble des balais, il est important de maintenir solidement les balais en carbone dans le porte-balais. N° de pièce 206NL
4. Introduire le nouvel ensemble jusqu'à la position où le raccordement des fils par raccord rapide peut être effectué.
 5. Pousser l'un contre l'autre les raccords rapides sur le moteur et le manchon des balais.
 6. Remettre l'ensemble des balais dans sa position de fonctionnement et insérer la pince à ressort de verrouillage.

REPLACEMENT DE L'ÉLÉMENT DE CHAUFFAGE

1. Enlever les trois vis retenant ensemble les éléments du carter de la soufflante (nos de pièce 211PA et 112P) et enlever l'élément 112P.
2. Déconnecter les fils blancs de l'élément de chauffage sur le bornier et le commutateur. Remplacer l'élément de chauffage en s'assurant que la tension et l'ampérage sont corrects, et en veillant à le connecter d'une manière identique à l'ancien élément.

3. Maintenir l'élément en position sur côté stationnaire du carter de la soufflante et glisser le côté amovible du carter en position, en veillant à ce que les armatures de l'élément se placent dans les logements du carter de la soufflante et que les deux fils se trouvent dans le passage à la partie supérieure de la sortie d'air. Remonter les trois vis retenant ensemble les éléments du carter de la soufflante.
4. Reconnecter les fils au bornier et au commutateur. S'assurer que tous les fils sont correctement reconnectés et que le câblage correspond au schéma de câblage situé à l'intérieur du capot du sèche-mains.

REPLACEMENT DU MINUTEUR POUR LES MODÈLES (D)M5, 54, 548

1. Enlever les vis de chacune des deux bornes du minuteur, en marquant les fils afin de permettre une reconnexion correcte au moment du remontage.
2. Remplacer le minuteur défectueux. (Pour la commande du minuteur, spécifier le modèle du sèche-mains.)
3. Reconnecter les fils aux bornes du minuteur.
4. Remettre le capot en place (en s'assurant qu'il est bien ajusté sur la base) et le pousser contre le mur, puis visser les deux vis de montage sans les serrer excessivement.
5. Mettre le sèche-mains sous tension.

Pour des pièces détachées, appeler le 1 (708) 449-0701

Fournir les informations suivantes :

- Numéro de modèle
- Numéro de série (s'il y en a un)
- Description et numéro de pièce comme indiqué sur la liste des pièces

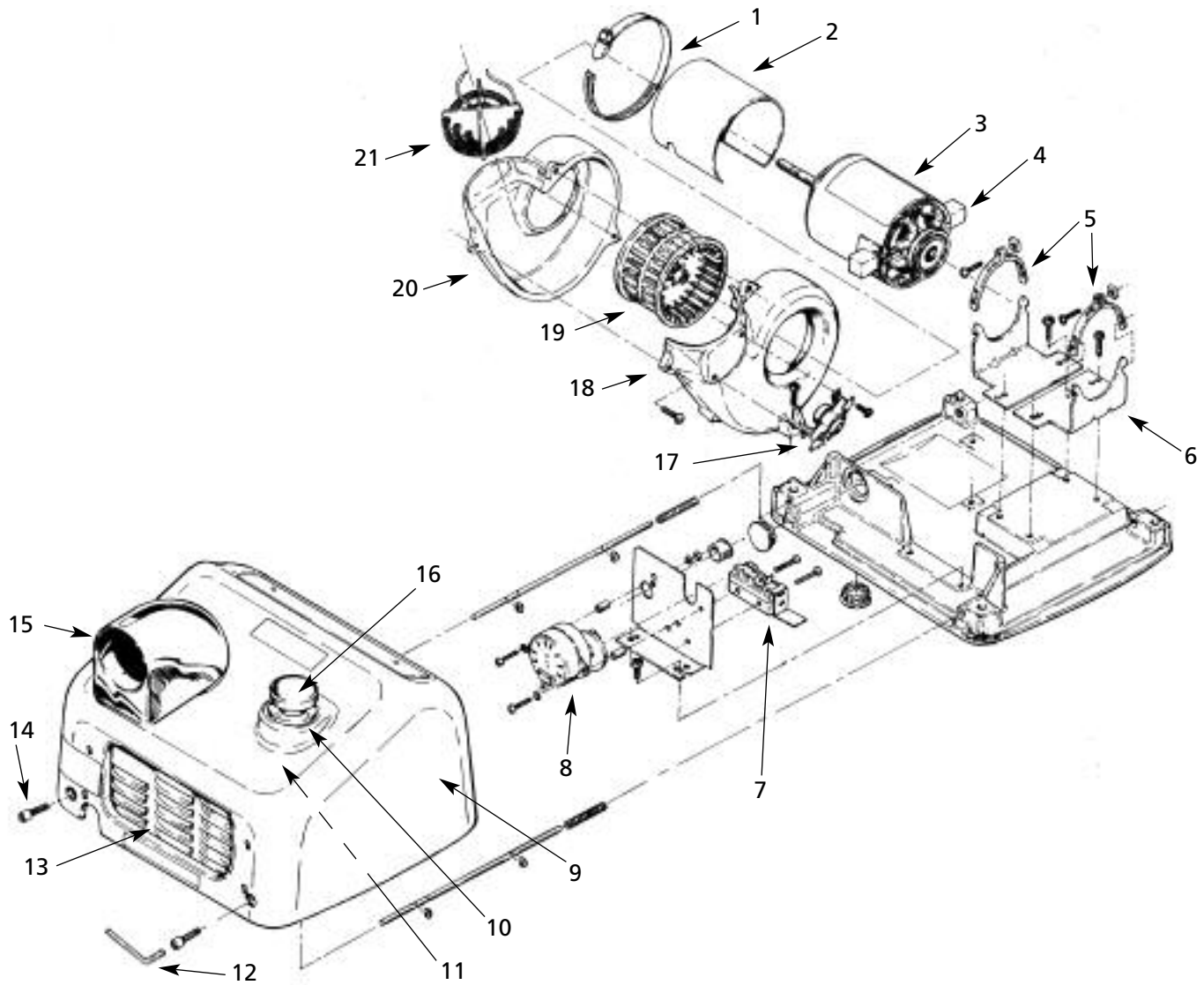


Figure 1 - Illustration des pièces détachées pour les sèche-mains

FRANÇAIS

Modèles (D)XM et (D)M

Liste des pièces détachées pour les sèche-mains

N° de réf.	Description	N° de pièce	Qté
1	Collier du déflecteur du moteur	23-100	1
2	Déflecteur du moteur	127HS	1
3	Moteur (D)XM5, (D)M5	32-120K	1
	Moteur (D)XM54, (D)M54, (D)XM548, (D)M548	32-230K	1
4	Balais du moteur	206NL	2
5	Bride de montage du moteur	110-4A	2 jeux
6	Supports de montage du moteur	110-4	2
7	Microcommutateur seulement (D)M(tous)	143F	1
8	Minuteur pour le modèle (D)M5	125XMK	1
	Minuteur pour le modèle (D)M54	125AMK	1
	Minuteur pour le modèle (D)M548	125MCEK	1
9	Capot complet, fonte, automatique, blanc XM(tous)*	72DXM5-974K	1
	Capot complet, fonte, bouton-poussoir, blanc M(tous)*	70M5-974K	1
	Capot complet, acier, automatique, blanc DXM(tous)*	70XM5-974K	1
	Capot complet, acier, bouton-poussoir, blanc DM(tous)*	72DM5-974K	1
	Capot complet, acier inoxydable, automatique/bouton-poussoir*	Appeler pour commander	1
10	Adaptateur de bouton-poussoir, joint d'étanchéité et douille (D)M(tous)	190K	1
11	Kit de bague de retenue, embout de tige-poussoir isolé et ressort du bouton-poussoir (D)M(tous)	193K	1
12	Clé mâle à six pans de sécurité	204TP	1
13	Grille d'entrée d'air, fonte, bouton-poussoir, avec matériel de montage M(tous)	194-1K	1
14	Vis de capot inviolable - capots en fonte, XM, M(tous)	100B2	2
	Vis de capot inviolable - capots en acier, DXM, DM(tous)	46-330	2
	Rondelle de blocage, capots en acier, DXM, DM(tous)	59-005028	2
15	Kit de montage de buse	34-172K	1
16	Kit de montage de bouton-poussoir (Bouton, tige, bague, ressort et embout) (D)M(tous)	185K	1
17	Thermostat seul, 3/4 po	1111-03	1
18	Demi-volute de soufflante avec base de montage et thermostat	211PA	1
19	Soufflante en plastique	101P	1
20	Demi-volute de soufflante avec bornier - côté gauche	112P	1
21	Élément chauffage pour les modèles (D)XM5, (D)M5	213XM	1
	Élément chauffage pour les modèles (D)XM54, (D)M54, (D)XM548, (D)M548	213AM	1
Δ	Commande de capteur automatique - 115 V (D)XM	16-230-120 (D)A	1
Δ	Commande de capteur automatique - 208-230 V (D)XM54	16-240-208 (D)A	1
Δ	Commande de capteur automatique - 220-240 V, 50 Hz CE seulement (D)XM548	16-230-240 CE	1
Δ	Œil du capteur infrarouge (D)XM(tous)	49-238	1
Δ	Filtre électronique, 50 Hz CE seulement (D)XM548, (D)M548	110-2	1

(*) Spécifier le modèle pour la commande.

(Δ) Non représenté.

Sèche-mains World Dryer Airmax™

Tableau de dépannage

Symptôme	Cause(s) possible(s)	Action corrective
Le sèche-main ne démarre pas	Le sèche-main n'est pas alimenté électriquement	Vérifier l'alimentation et les connexions de l'appareil
Un rougeolement est visible à travers la buse, mais aucun air n'en sort	Le moteur est défectueux	Remplacer les balais du moteur ou le moteur lui-même, si défaillant
Le sèche-mains souffle de l'air froid	L'élément de chauffage ou le thermostat est défectueux	Débrancher l'appareil de son alimentation électrique et déposer le capot. À l'aide d'un multimètre, vérifier l'élément de chauffage et le thermostat, et procéder à tout remplacement nécessaire
Un modèle automatique de sèche-mains ne s'arrête pas	Le capteur est sale ou défectueux, ou il reçoit une réflexion intempestive	<ol style="list-style-type: none"> Vérifier l'œil infrarouge pour voir s'il est encrassé ou endommagé. Utiliser une solution de nettoyage de lentille en plastique et un chiffon doux. Sécher la lentille avec un chiffon doux Vérifier que le capteur ne reçoit pas une réflexion provenant d'un autre objet À l'aide d'un ohmmètre, tester le relais ou contacteur pour vérifier la continuité de la bobine. La résistance de la bobine ne doit pas dépasser 2 000 ohms Lorsque le sèche-mains est mis sous tension, il devrait se mettre en marche au bout de quelques secondes. Le tester en plaçant les mains à une distance de 7,5 cm à 15 cm sous la buse

GARANTIE LIMITÉE

GARANTIE LIMITÉE DE DIX ANS FOURNIE PAR WORLD DRYER. LES MODÈLES DE SÈCHE-MAINS WORLD DRYER AIRMAX™ COUVERTS DANS CE MANUEL SONT GARANTIS PAR WORLD DRYER CORP. AU PREMIER UTILISATEUR CONTRE TOUT DÉFAUT DE FABRICATION OU DE MATÉRIAU DANS DES CONDITIONS D'UTILISATION NORMALES DURANT DIX ANS À COMPTER DE LA DATE D'ACHAT. TOUTE PIÈCE PRÉSENTANT, SELON WORLD DRYER, DES DÉFAUTS DE FABRICATION OU DE MATÉRIAU ET RETOURNÉE PORT PAYÉ, SERA RÉPARÉE OU REMPLACÉE AU CHOIX DE WORLD DRYER, À TITRE DE RECOURS EXCLUSIF. VOIR LES PROCÉDURES DE RÉCLAMATIONS SOUS GARANTIE SOUS LA RUBRIQUE « PROMPT RÉGLEMENT », CI-APRÈS. LA PRÉSENTE GARANTIE DONNE AUX ACHETEURS DES DROITS SPÉCIFIQUES QUI VARIENT SELON LES JURIDICTIONS.

LIMITES DE RESPONSABILITÉ. DANS LA MESURE PERMISE AU TITRE DE LA LOI APPLICABLE, WORLD DRYER DÉCLINE EXPRESSÉMENT TOUTE RESPONSABILITÉ POUR TOUT DOMMAGE ACCESSOIRE ET INDIRECT. LA RESPONSABILITÉ DE WORLD DRYER EST DANS TOUS LES CAS LIMITÉE ET NE SAURAIT DÉPASSER LE PRIX D'ACHAT.

CLAUSE D'EXONÉRATION DE GARANTIE. WORLD DRYER S'EST DILIGEMMENT EFFORCÉE D'ILLUSTRER ET DE DÉCRIRE DE MANIÈRE EXACTE LES PRODUITS DE CETTE BROCHURE. CEPENDANT, CES ILLUSTRATIONS ET CES DESCRIPTIONS NE SONT DONNÉES QU'À TITRE D'IDENTIFICATION ET NE GARANTISSENT PAS EXPRESSÉMENT OU IMPLICITEMENT QUE LES PRODUITS SONT DE QUALITÉ MARCHANDE OU ADAPTÉS À UN USAGE PARTICULIER, OU QU'ILS SERONT NÉCESSAIREMENT CONFORMES AUX ILLUSTRATIONS OU AUX DESCRIPTIONS FOURNIES. SAUF DISPOSITIONS CONTRAIRES CI-DESSOUS, AUCUNE GARANTIE OU AFFIRMATION DE FAIT, EXPRESSE OU IMPLICITE, AUTRE QUE CELLE ÉNONCÉE À LA RUBRIQUE « GARANTIE LIMITÉE » CI-DESSUS, N'EST FOURNIE OU AUTORISÉE PAR WORLD DRYER.

Conseils et recommandations techniques ; clause d'exonération. Nonobstant toute pratique ou action commerciale ayant eu cours dans le passé ou toute coutume du secteur d'activité, les ventes n'incluront pas la fourniture de conseils en matière de conception de système ou de résolution de problèmes techniques. World Dryer n'assume aucune obligation ni responsabilité en ce qui concerne les recommandations, opinions ou conseils non autorisés relatifs au choix, à l'installation ou à l'utilisation des produits.

Adéquation du produit. Dans de nombreuses juridictions, les codes et les réglementations qui régissent les ventes, la construction, l'installation et/ou l'utilisation de produits pour certains usages peuvent être différents de ceux de régions avoisinantes. Bien que World Dryer se soit efforcée de rendre ses produits conformes à ces codes, la société ne peut en garantir la conformité et ne saurait être responsable de la manière dont les produits sont installés ou utilisés. Avant d'acheter et d'utiliser un produit, il est conseillé d'étudier son application ainsi que les codes et réglementations nationaux et locaux, et de s'assurer de la conformité à ces codes de ces produits, de leur installation et de leur utilisation.

Certains aspects des dénis de garantie ne sont pas applicables aux produits de consommation. Par exemple, (a) certaines juridictions n'autorisent pas l'exclusion ou la limitation des dommages accessoires ou indirects, de sorte que la limitation ou l'exclusion susmentionnée peut ne pas s'appliquer à votre cas ; (b) en outre, certaines juridictions n'autorisent pas de limite sur la durée d'une garantie implicite, par conséquent la limite susmentionnée peut ne pas s'appliquer à votre cas ; et (c) en vertu de la loi, durant la période de garantie limitée, toute garantie implicite de qualité marchande ou d'adéquation à un usage particulier applicable aux produits de consommation achetés par des consommateurs, est susceptible de ne pas pouvoir être exclue ou autrement déniée.

Prompt règlement. World Dryer s'efforcera en toute bonne foi de faire les rectifications ou autres ajustements prévus pour tout produit qui s'avère défectueux durant la période de garantie limitée. Pour tout produit jugé défectueux durant la période de garantie limitée, contacter tout d'abord le concessionnaire où l'appareil a été acheté. Le concessionnaire fournira des instructions supplémentaires. S'il est impossible de résoudre le problème de façon satisfaisante, écrire à World Dryer à l'adresse ci-dessous, en indiquant le nom et l'adresse du concessionnaire, la date et le numéro de la facture du concessionnaire, ainsi que la nature du défaut constaté. Le titre et le risque de perte passent à l'acheteur au moment de la livraison par le transporteur. Si le produit a été endommagé pendant le transport, une réclamation doit être faite auprès du transporteur.

Fabriqué par World Dryer Corp.
Berkeley, Illinois 60163 États-Unis



Bitte lesen Sie diese Anweisungen und bewahren Sie sie auf. Lesen Sie diese Anweisung sorgfältig durch, bevor Sie das beschriebene Produkt zusammenbauen, montieren, betreiben bzw. warten. Beachten Sie für Ihren persönlichen Schutz und zum Schutz anderer sämtliche Sicherheitsinformationen. Eine Nichtbeachtung dieser Anweisungen kann zu Verletzungen und/oder Sachschäden führen! Bewahren Sie die Anweisungen für spätere Bezugnahme auf.

World Dryer Airmax™ Händetrockner

Beschreibung

Der Warmluft-Händetrockner von World Dryer verfügt über einen Hochgeschwindigkeits-Universalmotor und hat eine Trocknungsleistung von 2300 Watt. Dieser Händetrockner wird je nach Modell mit 115 Volt WS bzw. 208/220-240 V WS betrieben. In dieser Produktgruppe sind Modelle mit Ein- und Ausschaltautomatik sowie Modelle mit Druckknopf vertreten. Dieses Gerät ist zum Trocknen der Hände gedacht und trocknet diese auf schnelle, hygienische und kostenwirksame Weise. Dieser Händetrockner ist zur Benutzung in gewerblichen, industriellen und Büroumgebungen sowie öffentlichen Einrichtungen vorgesehen.

Technische Daten – Allgemein

Modell	Düse	Trocknungszyklus	Abmessungen (B x H x T)	Gewicht (kg)	Material der Abdeckung
(D)XM	Unbeweglich	Automatik	289 x 244 x 206 mm	8,2/13,2	Stahl/Eisen
(D)M	Unbeweglich	20 Sekunden	289 x 244 x 206 mm	8,2/13,2	Stahl/Eisen

Technische Daten – Elektrik (cULus-zugelassen, E19860, CE TUV-GS)

Modell	Typ	Eingangsleistung	Stromstärke	Watt
(D)XM5	Automatik	115 V WS / 60 Hz	20	2300
(D)M5	Druckknopf	115 V WS / 60 Hz	20	2300
(D)XM54	Automatik	208-230 V WS / 60 Hz	10	2300
(D)M54	Druckknopf	208-230 V WS / 60 Hz	10	2300
(D)XM548	Automatik	220-240 V WS / 50 Hz	10	2300
(D)M548	Druckknopf	220-240 V WS / 50 Hz	10	2300

Auspacken

- Entfernen Sie sämtliches Verpackungsmaterial. Wir empfehlen, das Verpackungsmaterial zu recyceln.
- Nehmen Sie den Händetrockner vorsichtig aus dem Versandkarton. Achten Sie darauf, dass er nicht herunterfällt.
- Überprüfen Sie das Gerät sorgfältig auf eventuell während des Transports entstandene Schäden. Prüfen Sie, ob Teile lose oder beschädigt sind bzw. fehlen. Wenn der Händetrockner beschädigt ist, informieren Sie umgehend die Spedition bzw. den Händler, bei dem Sie das Gerät erworben haben.

Allgemeine Sicherheitsinformationen

⚠ GEFÄHR

Wird das Gerät vor der Montage nicht

von der Stromquelle getrennt, kann dies zu ernstesten Verletzungen oder Tod durch elektrischen Schlag führen.

- Trennen Sie den Händetrockner vor Wartungsarbeiten oder Montage des Geräts stets von der Stromquelle.

⚠ GEFÄHR Wird dieses Gerät nicht ordnungsgemäß geerdet, kann dies zu einem schweren elektrischen Schlag und/oder zum Tode führen.

Empfohlene Montagehöhen vom Boden bis zur Unterkante des Trockners Händetrockner

Händetrockner	cm (Zoll)
Waschraum für Männer	117 (46)
Waschraum für Frauen	112 (44)
Waschraum für Kinder zwischen 4 und 7 Jahre	81 (32)
Waschraum für Kinder zwischen 7 und 10 Jahre	91 (36)
Waschraum für Kinder zwischen 10 und 13 Jahre	102 (40)
Waschraum für Kinder zwischen 13 und 17 Jahre	112 (44)
Montagehöhe für Benutzung durch Behinderte	94 (37)

Tabelle 1

- Der Händetrockner muss ordnungsgemäß geerdet werden, damit ein sicherer Betrieb gewährleistet ist. Auf dem Rahmen dieses Händetrockners ist ein Erdungspunkt gekennzeichnet.
- Obwohl dies nicht vom National Electrical Code der USA verlangt wird, empfehlen wir in nassen bzw. feuchten Umgebungen den Einbau eines Erdschlussunterbrechers.

⚠ WARNHINWEIS Eine Nichtbeachtung örtlicher Elektrovorschriften, der US-amerikanischen NEC-Codes bzw. Sicherheitsempfehlungen kann zu Bränden, Verletzungen oder Sachschäden führen.

- Nur die für das zu montierende Händetrockner-Modell vorgeschriebene elektrische Leistung (Spannung und Frequenz) verwenden.
- Den Händetrockner an die am nächsten liegende Verteilertafel anschließen.
- Um Spannungsabfälle auf ein Minimum zu reduzieren und einen effizienten Betrieb zu gewährleisten, sind Leiter der Größe Nr. 12 oder größer zu verwenden (gemäß örtlichen Elektrovorschriften bzw. dem National Electrical Code der USA).
- Das Gerät nicht an einen Stromzweig mit einem Leitungsschutzschalter oder einer Absicherung über 20 A anschließen. Dies entspricht der Vorschrift Nr. 210-20 des National Electrical Code der USA.

World Dryer Airmax™

Händetrockner

Allgemeine Sicherheitsinformationen (Fortsetzung)

- Sämtliche Händetrockner mit Ein- und Ausschaltautomatik müssen gemäß den Vorgaben von Underwriters Laboratories, Inc. (UL) an eine festgeschaltete Leitung (20 A) angeschlossen sein.
- Verlegen Sie sämtliche Feldverkabelungen in sicherer Entfernung von allen beweglichen Teilen im Händetrockner.

▲ VORSICHT *Eine unsachgemäße Montage dieses Händetrockners kann zu Verletzungen oder Sachschäden führen.*

- Beachten Sie die Montageempfehlungen in Tabelle 1.
- Bei der Montage an eine Fachwerk wand muss eine Seite des Händetrockners an einem vorhandenen Ständer befestigt werden.

Montage

FÜR MODELLE (D)M5, 54, 548

1. Trennen Sie das Gerät von der Stromquelle.
2. Drehen Sie mit dem im Lieferumfang enthaltenen Sicherheits-Inbusschlüssel die beiden (2) Befestigungsschrauben der Abdeckung heraus. Nehmen Sie die Abdeckung vom Trockner ab.
3. Halten Sie die Basis des Händetrockners an der gewünschten Stelle an die Wand und bestimmen Sie anhand der Tabelle 1 die empfohlene Montagehöhe. Verwenden Sie die Basis als Schablone zum Markieren der 4 Bohrlöcher für die Befestigungsschrauben in der Wand. Bei der Installation von zwei oder

mehr Trocknern sollten diese in einem Mindestabstand von 61 cm gemessen Mitte zu Mitte montiert werden.

4. Befestigen Sie die Basis mithilfe des in Tabelle 2 empfohlenen Schraubentyps.
5. Verbinden Sie den Händetrockner mit der am nächsten liegenden Verteilertafel.
6. Bringen Sie die Abdeckung wieder an und achten Sie darauf, die Abdeckungsschrauben nicht zu fest anzuziehen.

FÜR MODELLE MIT EIN- UND AUSSCHALTAUTOMATIK (D)XM5, 54, 548

1. Trennen Sie das Gerät von der Stromquelle.
2. Drehen Sie mit dem im Lieferumfang enthaltenen Sicherheits-Inbusschlüssel die beiden (2) Befestigungsschrauben der Abdeckung heraus. Nehmen Sie die Abdeckung vom Trockner ab.
3. Halten Sie die Basis des Händetrockners an der gewünschten Stelle an die Wand und bestimmen Sie anhand der Tabelle 1 die empfohlene Montagehöhe. Verwenden Sie die Basis als Schablone zum Markieren der 4 Bohrlöcher für die Befestigungsschrauben in der Wand. Bei der Installation von zwei oder mehr Trocknern sollten diese in einem Mindestabstand von 61 cm gemessen Mitte zu Mitte montiert werden. Nur für Modelle mit Ein- und Ausschaltautomatik: Achten Sie darauf, dass sich direkt unter dem Infrarotsensor kein reflektierender Gegenstand (wie z. B. ein Waschbecken) befindet. Der Mindestabstand beträgt 46 cm.

4. Sämtliche Händetrockner mit Ein- und Ausschaltautomatik müssen laut UL-Empfehlung an eine festgeschaltete Leitung (20 A) angeschlossen sein.

WICHTIG: Informieren Sie sich vor der Montage des Händetrockners über die örtlichen und allgemeinen Elektrovorschriften. Stellen Sie sicher, dass das elektrische Netz nicht überlastet ist. Das Gerät nicht an einen Stromzweig über 20 A anschließen.

Wartung

1. Nehmen Sie die Sicherung heraus oder schalten Sie den Händetrockner am Sicherungskasten aus.
2. Drehen Sie die beiden Innensechskantschrauben im Boden des Trocknergehäuses mit dem im Lieferumfang enthaltenen Sicherheits-Inbusschlüssel heraus.
3. Nehmen Sie die Abdeckung des Händetrockners ab.

REINIGUNGSANWEISUNGEN

Lesen Sie vor der Reinigung die komplette Anweisung durch. Unter normalen Nutzungsbedingungen ist es ausreichend, den Trockner einmal im Jahr zu reinigen. Wenn der Verkehr im Waschraum höher ist als normal, sollte die Reinigung alle 6 Monate vorgenommen werden. Im Trockner angesammelte Flusen und Staub können den Motor und das Heizelement beschädigen. Außerdem kann der Benutzer durch Ausstoßen heißer Luft verletzt werden.

1. Schalten Sie den Trockner über den Leitungsschutzschalter oder an der Sicherungstafel aus.

HINWEIS: Bei einer Aufputzmontage muss ein optionales erhältliches Offset-Anschlussstück Nr. 100BR bestellt werden, um die Leitung auf 1/2-Zoll-EMT anzupassen.

Art der Wand	Art der Schraube	Schraubenmindestlänge
Hohlziegel, Latte, Leichtbauplatte oder Metall	1/4-Zoll-Schraube (M6) oder Knebelschraube	Abhängig von der Dicke der Wand
Zement, Ziegelstein oder Fliesen auf Zement oder Ziegelstein	1/4-Zoll-Spreizdübel für Ständer (M6)	76 mm (3 Zoll)
Fachwerkwand mit Holzhinterlegung	Holzschrauben Nr.16 (M8)	70 mm (2¾ Zoll)

Tabelle 2

Modelle (D)XM und (D)M

Wartung (Fortsetzung)

2. Drehen Sie die beiden Befestigungsschrauben des Gehäuses mit dem im Lieferumfang enthaltenen Sicherheits-Inbusschlüssel heraus. Stützen Sie die Abdeckung beim Herausdrehen der Schrauben.
3. Drehen Sie die drei (3) Seitenschrauben heraus, die das Gebläsegehäuse zusammenhalten. Merken Sie sich die Position des Heizelements. Leitungsdrähte werden durch das Durchgangsloch in den Gebläsegehäusehälften geführt. Nehmen Sie die Heizelemente vorsichtig aus dem Gehäuse heraus, ohne jedoch die Drähte abzutrennen.
4. Reinigen Sie die Gebläseradhälften mit einer Bürste mit radialen Borsten und einem Durchmesser von 1,3 cm. Drücken Sie die Bürste durch die einzelnen Flügel und lösen Sie den Schmutz. Die Flügel dürfen nicht verbogen werden.
5. Saugen Sie den Schmutz vom Gebläse und dem Gehäuse mit einem Staubsauger auf, setzen Sie das Heizelement wieder ein und die Gehäusehälfte wieder auf und drehen Sie die drei (3) Seitenschrauben ein. Ziehen Sie die Schrauben vorsichtig an, und achten Sie darauf, dass Mica-Heizelementteile in den Gehäuseschlitz platziert und die Verbindungsdrähte durch die Gebläsegehäuseöffnung gelegt sind.
6. Wischen Sie mit einem 12,7 mm breiten Pinsel mit weichen bis mittelharten Borsten Staub und Schmutz vom Motor und der Schaltuhr. Verbiegen Sie das Schaltmesser beim Reinigen nicht.
7. Reinigen Sie mit einer Bürste mit steifen Borsten die Innenseite des Düsengitters und des Einlassgitters. Eventuell müssen Sie den Schmutz vom Einlassgitter mit Wasser abspülen. Trocknen Sie die Innenseite der Abdeckung vor dem Wiederanbringen, wenn Sie zum Reinigen Wasser verwendet haben.

8. Inspizieren Sie die Bürsten des Motors. Führen Sie hierzu einen Zahnstocher in die Öffnung am Ende der Bürsteneinheit ein. Wenn Sie den Zahnstocher mehr als 2,5 cm einführen können, tauschen Sie die Bürsten aus. (Siehe Anweisungen zum Auswechseln.)
9. Setzen Sie die Abdeckung wieder auf. Halten Sie sie gerade über die Basis und drücken Sie sie an die Wand. Setzen Sie die 2 Befestigungsschrauben der Abdeckung ein und ziehen Sie sie fest an. Überdrehen Sie die Schrauben nicht.

AUSWECHSELN DER MOTORBÜRSTEN

1. Entfernen Sie die Verriegelungs-Federklemme, die den Bürstenhalter sichert.
 2. Ziehen Sie den Bürstendeckel langsam aus dem Motor heraus, bis der Leitungsanschluss sichtbar wird.
 3. Trennen Sie den Leitungsanschluss und entfernen Sie die Bürste und den Halter.
- HINWEIS:** Beim Herausnehmen der Bürste aus der Verpackung ist es wichtig, dass sich die Kohlebürste sicher im Bürstenhalter befindet. P/N 206NL
4. Setzen Sie die neue Baugruppe so ein, dass die Leitungen schnell angeschlossen werden können.
 5. Drücken Sie die Bürsten-Schnellanschlüsse am Motor und an der Bürstenhülse zusammen.
 6. Schieben Sie die Bürsten-Baugruppe zurück in ihre Position und setzen Sie die Verriegelungs-Federklemme ein.

AUSWECHSELN DES HEIZELEMENTS

1. Drehen Sie die drei Schrauben heraus, die das Gebläsegehäuse (Nr. 211PA und Nr. 112P) zusammenhalten, und nehmen Sie die linke Gehäuseseite (Nr. 112P) ab.
2. Trennen Sie die Verbindung der weißen Leitungen des Heizelements an der Klemmleiste und Schalterklemme. Ersetzen Sie das alte

Heizelement durch ein neues mit korrekter Spannung und achten Sie darauf, es nach der Vorlage des alten Heizelements anzuschließen.

3. Halten Sie das Heizelement auf der stationären Seite des Gebläsegehäuses in Position und schieben Sie die abnehmbare Seite ein. Achten Sie darauf, dass die Rahmen der Heizelemente in die Nuten im Gebläsegehäuse passen und dass beide Leitungen durch eine Kerbe oben am Luftaustritt gelegt sind. Drehen Sie die drei Schrauben, mit denen das Gebläsegehäuse zusammengehalten wird, erneut ein.
4. Vergewissern Sie sich, dass alle Leitungen ordnungsgemäß angeschlossen sind und die Anschlüsse dem Schaltbild auf der Innenseite der Abdeckung des Händetrockners entsprechen.

AUSWECHSELN VON MODELLEN MIT SCHALTUHRN (D)M5, 54, 548

1. Drehen Sie die Schrauben aus den beiden Anschlüssen an der Schaltuhr heraus und markieren Sie die Leitungen, um sie dann später wieder korrekt an die Schalteranschlüsse anzuschließen.
2. Ersetzen Sie die fehlerhafte Schaltuhr mit einer neuen. (Geben Sie beim Bestellen der Schaltuhr das Trockner-Modell an.)
3. Schließen Sie die Leitungen wieder an die Anschlüsse an.
4. Bringen Sie die Abdeckung wieder an (die Abdeckung sollte genau auf die Basis passen). Drücken Sie die Abdeckung an, bis sie bündig auf der Wand aufliegt. Drehen Sie zwei Befestigungsschrauben für die Abdeckung ein. Achten Sie darauf, die Befestigungsschrauben nicht zu fest anzuziehen.
5. Schalten Sie den Trockner ein.

Rufen Sie für Reparaturteile die folgende Nummer an: 1 (708) 449-0701

Geben Sie bitte die folgenden Informationen an:

- Modellnummer
- Seriennummer
- Teilebeschreibung und in der Teilliste aufgeführte Nummer

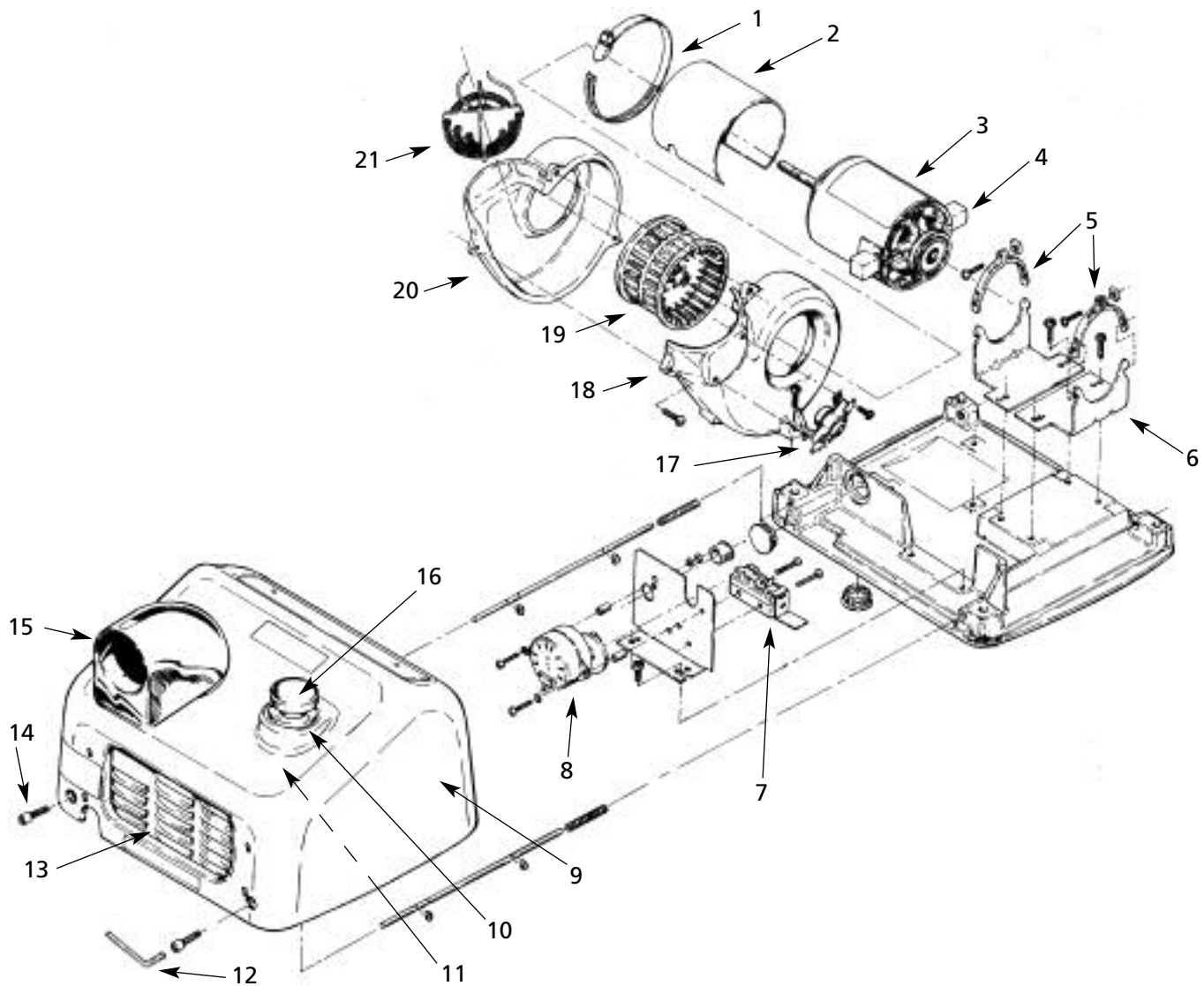


Abbildung 1 – Darstellung der Reparaturteile für Händetrockner

Modelle (D)XM und (D)M

Liste mit Reparaturteilen für Händetrockner

Bezugsnummer	Beschreibung	Teilenummer	Menge
1	Klemme, Motor-Schutzschirm	23-100	1
2	Schutzschirm, Motor	127HS	1
3	Motor (D)XM5, (D)M5	32-120K	1
	Motor (D)XM54, (D)M54, (D)XM548, (D)M548	32-230K	1
4	Motorbürste	206NL	2
5	Befestigungslasche für Motor	110-4A	2 Sätze
6	Halterungen für Motor	110-4	2
7	Mikroschalter nur bei (D)M(Alle)	143F	1
8	Schaltuhr (D)M5	125XMK	1
	Schaltuhr (D)M54	125AMK	1
	Schaltuhr (D)M548	125MCEK	1
9	Komplette Abdeckung, Gusseisen, Automatik, Weiß XM(Alle)*	72DXM5-974K	1
	Komplette Abdeckung, Gusseisen, Druckknopf, Weiß M(Alle)*	70M5-974K	1
	Komplette Abdeckung, Stahl, Automatik, Weiß DXM(Alle)*	70XM5-974K	1
	Komplette Abdeckung, Stahl, Druckknopf, Weiß DM(Alle)*	72DM5-974K	1
	Komplette Abdeckung, Edelstahl, Automatik/Druckknopf*	Rufen Sie zum Bestellen an	1
10	Druckknopf-Adapter, Dichtung und Laufbuchse (D)M(Alle)	190K	1
11	Haltering für Druckknopf, Spitze der isolierten Betätigungsstange und Federsatz (D)M(Alle)	193K	1
12	Sicherheits-Schraubenschlüssel	204TP	1
13	Einlassgitter, Gusseisen, Druckknopf, mit Befestigungshardware M(Alle)	194-1K	1
14	Manipulationssichere Abdeckungsschraube, Gusseisenabdeckungen XM, M(Alle)	100B2	2
	Manipulationssichere Abdeckungsschraube, Stahlabdeckungen DXM, DM(Alle)	46-330	2
	Schraubensicherung, Stahlabdeckungen DXM, DM(Alle)	59-005028	2
15	Düsen-Baugruppe	34-172K	1
16	Druckknopf-Baugruppe (Knopf, Stange, Ring, Feder und Spitze) (D)M(Alle)	185K	1
17	Thermostat nur 3/4-Zoll	1111-03	1
18	Triebkranzhälfte des Gebläses mit Bodenhalterung und Thermostat	211PA	1
19	Gebläse, Kunststoff	101P	1
20	Triebkranzhälfte des Gebläses mit Klemmleiste – Linke Seite	112P	1
21	Heizelement (D)XM5 (D)M5	213XM	1
	Heizelement (D)XM54 (D)M54, (D)XM548, (D)M548	213AM	1
Δ	Automatische Sensorsteuerung - 115 V (D)XM	16-230-120 (D)A	1
Δ	Automatische Sensorsteuerung - 208-230 V (D)XM54	16-240-208 (D)A	1
Δ	Automatische Sensorsteuerung - 220-240 V, 50 Hz nur mit CE-Kennzeichnung (D)XM548	16-230-240 CE	1
Δ	Infrarotsensor, Auge (D)XM(Alle)	49-238	1
Δ	Filter, Elektronisch, 50 Hz nur mit CE-Kennzeichnung (D)XM548, (D)M548	110-2	1

(*) Bei der Bestellung Modell angeben.

(Δ) Nicht dargestellt.

World Dryer Airmax™ Händetrockner

Fehlersuche

Symptom	Mögliche(r) Grund/Gründe	Maßnahme
Der Trockner startet nicht	Gerät wird nicht mit Strom versorgt	Stromversorgung und Anschlüsse prüfen
Durch die Düse ist ein Glühen erkennbar, aber es wird keine Luft geblasen.	Motor ist defekt	Eventuell defekte Motorbürsten bzw. defekten Motor austauschen
Die aus dem Trockner kommende Luft ist kalt	Defektes Heizelement oder defekter Thermostat	Das Gerät von der Stromversorgung trennen und die Abdeckung abnehmen. Das Heizelement und den Thermostat mit einem Universalmessgerät prüfen und bei Bedarf austauschen
Trockner mit Ein- und Ausschaltautomatik schaltet sich nicht aus	Sensor ist verschmutzt, defekt oder er spiegelt wider	<ol style="list-style-type: none"> Infrarotauge auf Schmutz oder Schäden prüfen. Eine Reinigungslösung für Kunststofflinsen und ein weiches Tuch verwenden. Linse mit einem weichen Tuch trocknen Darauf achten, dass der Sensor nicht durch eine Lichtspiegelung von einem anderen Gegenstand beeinträchtigt wird Die Spulen des Relais/Schalterschütz mit einem Ohmmeter auf Durchgang prüfen. Der Spulenwiderstand darf 2000 Ohm nicht überschreiten Nachdem der Trockner wieder an die Stromversorgung angeschlossen ist, sollte er sich innerhalb einiger Sekunden wieder einschalten. Zur Überprüfung die Hände in einem Abstand zwischen 7,5 und 15 cm unter die Düse halten

EINGESCHRÄNKTE GARANTIE

EINGESCHRÄNKTE ZEHN-JAHRES-GARANTIE VON WORLD. WORLD DRYER COPR. GARANTIERT DEM ORIGINALBENUTZER, DASS DIE IN DIESEM HANDBUCH BESCHRIEBENEN WORLD DRYER AIRMAX™ HÄNDETROCKNER BEI NORMALER BENUTZUNG FÜR EINEN ZEITRAUM VON ZEHN JAHREN NACH DEM KAUFdatum FREI VON VERARBEITUNGS- UND MATERIALFEHLERN SIND. TEILE, BEI DENEN DAS MATERIAL BZW. DIE VERARBEITUNG ALS FEHLERHAFT BEFUNDEN WIRD, UND DIE MIT VORAUSBEZAHLTEN VERSANDKOSTEN EINGESANDT WERDEN, WERDEN ALS ZUGESICHERTE ABHILFEMASSNAHME IM ERMESSEN VON WORLD REPARIERT BZW. ERSETZT. INFORMATIONEN ZUR ABWICKLUNG VON ANSPRÜCHEN UNTER DER EINGESCHRÄNKTEN GARANTIE SIND IM NACHSTEHENDEN ABSCHNITT „UNVERZÜGLICHE MÄNGELBESEITIGUNG“ ZU FINDEN. DIESE EINGESCHRÄNKTE GARANTIE VERLEIHT KÄUFERN BESTIMMTE RECHTE, DIE VON GERICHTBARKEIT ZU GERICHTBARKEIT UNTERSCHIEDLICH SEIN KÖNNEN.

HAFTUNGSBESCHRÄNKUNG. WORLD LEHNT DIE HAFTUNG FÜR FOLGESCHÄDEN UND NEBENKOSTEN AUSDRÜCKLICH AB, SOWEIT DIES GESETZLICH ZULÄSSIG IST. DIE HAFTUNG VON WORLD BESCHRÄNKT SICH IN ALLEN FÄLLEN AUF DEN GEZAHLTEN KAUFPREIS UND DARF DIESEN NICHT ÜBERSCHREITEN.

HAFTUNGS-AUSSCHLUSS. DAS UNTERNEHMEN HAT SICH BEMÜHT, GEWISSENHAFT ZUSAMMENGESTELLTE PRODUKTINFORMATIONEN ZUR VERFÜGUNG ZU STELLEN UND DAS PRODUKT IN DIESEM ANWEISUNGSBLATT GENAU ABZUBILDEN. SOLCHE INFORMATIONEN UND ABBILDUNGEN SIND JEDOCH NUR ZUR IDENTIFIKATION GEDACHT UND STELLEN KEINE AUSDRÜCKLICHE ODER STILLSCHWEIGENDE GARANTIE FÜR DIE ALLGEMEINE GEBRAUCHSTAUGLICHKEIT DER PRODUKTE BZW. DIE GEEIGNETHEIT FÜR EINEN BESTIMMTEN ZWECK DAR SOWIE AUCH KEINE GARANTIE DAFÜR, DASS DIE PRODUKTE NOTWENDIGERWEISE DEN ABBILDUNGEN ODER BESCHREIBUNGEN ENTSPRECHEN. VORBEHALTLICH UNTEN STEHENDER BESTIMMUNGEN ÜBERNIMMT ODER AUTORISIERT WORLD KEINE AUSDRÜCKLICHE ODER STILLSCHWEIGENDE GARANTIE ODER ZUSICHERUNG VON TATSACHEN NEBEN DEN VORSTEHENDEN BESTIMMUNGEN IN „EINGESCHRÄNKTE GARANTIE“.

Technische Ratschläge und Empfehlungen, Ausschlüsse. Ungeachtet aller bisherigen Praxis oder Geschäfte oder Handelsbräuche darf der Verkauf nicht die Bereitstellung von technischen Ratschlägen bzw. Hilfeleistungen oder des Systemdesigns umfassen. World übernimmt keinerlei Verpflichtungen oder Haftung in Bezug auf unbefugte Empfehlungen, Meinungen bzw. Ratschläge zur Auswahl, Installation oder Einsatz der Produkte.

Geeignetheit und Angemessenheit des Produkts. In vielen Rechtsordnungen gibt es Gesetze und Regelungen zum Kaufrecht, zur Bauweise, Installation und/oder zur Verwendung von Produkten für bestimmte Zwecke, welche sich von angrenzenden Gebieten unterscheiden können. Obwohl versucht wird sicherzustellen, dass Produkte von World diesen Gesetzen entsprechen, kann keine Garantie dafür übernommen werden und World ist nicht dafür verantwortlich, wie das Produkt installiert oder verwendet wird. Vor dem Kauf und der Verwendung eines Produkts muss der Käufer sich mit den Anwendungsmöglichkeiten des Produkts sowie allen zutreffenden nationalen und örtlichen Gesetzen und Regelungen vertraut machen und sicherstellen, dass das Produkt sowie dessen Installation und Verwendung mit diesen Vorschriften übereinstimmen wird.

Bestimmte Aspekte von Haftungsausschlüssen gelten nicht für Verbraucherprodukte, z. B. (a) in einigen Rechtsordnungen ist der Ausschluss oder die Beschränkung der Haftung für Folgeschäden oder Nebenkosten ausgeschlossen und daher kann es sein, dass die vorstehenden Beschränkungen oder Ausschlüsse für Sie keine Anwendung finden, (b) in einigen Rechtsordnungen ist auch die zeitliche Beschränkung einer stillschweigenden Garantie unzulässig und daher wäre die vorstehende Haftungsbeschränkung in einem solchen Fall für Sie nicht anwendbar und (c) es ist gesetzlich vorgeschrieben, dass während der Laufzeit dieser eingeschränkten Garantie stillschweigende Garantien für konkludente Zusicherung der allgemeinen Gebrauchstauglichkeit oder Geeignetheit für einen bestimmten Zweck hinsichtlich von Verbrauchern erworbener Verbraucherprodukte nicht ausgeschlossen oder anderweitig abgelehnt werden können.

Unverzügliche Mängelbeseitigung. Das Unternehmen wird sich im Hinblick auf alle Produkte, die innerhalb der eingeschränkten Garantiezeit einen erwiesenen Mangel aufweisen, gutgläubig um eine unverzügliche Mängelbeseitigung oder einen Ausgleich bemühen. Jede Kommunikation in Bezug auf ein mangelhaftes Produkt innerhalb der eingeschränkten Garantiezeit ist zunächst schriftlich oder telefonisch an den Händler zu richten, von dem das Produkt erworben wurde. Der Händler wird dann zusätzliche Anweisungen zur Verfügung stellen. Sollte das Problem nicht zufriedenstellend behoben werden können, wenden Sie sich schriftlich an World unter der untenstehenden Adresse. Geben Sie dabei den Namen und die Adresse des Händlers sowie Rechnungsdatum und -nummer an und beschreiben Sie die Art des Mangels.

Hergestellt von World Dryer Corp.
Berkeley, Illinois 60163 U.S.A.



Si prega di leggere e conservare queste istruzioni. Leggere con attenzione prima di montare, installare, azionare o riparare il prodotto descritto. Proteggere se stessi e terzi attenendosi alle istruzioni sulla sicurezza. La mancata conformità alle istruzioni potrebbe risultare in lesioni a persone e/o danni a cose! Conservare le istruzioni da leggere in futuro.

Asciugamani elettrico World Dryer Airmax™

Descrizione

Asciugamani elettrici World Dryer ad aria calda ad alte prestazioni, alimentati da un motore universale ad alta velocità, con potenza di asciugatura da 2300 watt. Questo asciugamani funziona con alimentazione elettrica da 115 V c.a. o 208/220-240 V c.a., secondo il modello. Questo gruppo di prodotti include modelli automatici e a pulsante. Questo apparecchio è inteso per asciugare mani, favorendo un ambiente ad asciugatura rapida, igienico ed al costo giusto. Questo asciugamani può essere usato in ambienti commerciali e industriali, in uffici e locali pubblici.

Specifiche generali

Modello	Ugello	Ciclo di asciugatura	Dimensioni (La x Lu x P)	Peso (kg)	Materiale esterno
(D)XM	Fisso	Automatico	289 x 244 x 206 mm	8,2/13,2	Acciaio/Ferro
(D)M	Fisso	20 secondi	289 x 244 x 206 mm	8,2/13,2	Acciaio/Ferro

Specifiche elettriche (cULus, E19860, CE TUV-GS)

Modello	Tipo	Ingresso elettrico	Amperaggio	Watt
(D)XM5	Automatico	115 V c.a. / 60 Hz	20	2300
(D)M5	A pulsante	115 V c.a. / 60 Hz	20	2300
(D)XM54	Automatico	208-230 V c.a. / 60 Hz	10	2300
(D)M54	A pulsante	208-230 V c.a. / 60 Hz	10	2300
(D)XM548	Automatico	220-240 V c.a. / 50 Hz	10	2300
(D)M548	A pulsante	220-240 V c.a. / 50 Hz	10	2300

Disimballaggio

- Togliere tutto il materiale di imballaggio. Si consiglia di adottare un programma di riciclaggio.
- Togliere con cura l'asciugamani dalla scatola di spedizione, facendo attenzione a non far cadere l'elettrodomestico.
- Ispezionare con cura che durante il transito l'unità non abbia subito danni. Controllare che non vi siano parti allentate, mancanti o danneggiate. Qualora l'asciugamani abbia subito danni, informare subito il punto di acquisto o lo spedizioniere.

Informazioni generali sulla sicurezza

⚠ PERICOLO Il mancato scollegamento dalla fonte di alimentazione prima dell'installazione potrebbe causare gravi lesioni o morte da folgorazione.

- Scollegare sempre la fonte di alimentazione prima di riparare o installare l'asciugamani.

⚠ PERICOLO La messa a terra non adeguata di questa unità potrebbe causare grave folgorazione e/o morte.

- Per garantirne un funzionamento sicuro, questo asciugamani deve avere un'adeguata messa a terra. Un punto di connessione per la messa a terra non identificato è indicato sul telaio dell'asciugamani.

Altezze consigliate per l'attacco dal pavimento alla base dell'asciugamani	
Asciugacapelli	cm (pollici)
Bagno per uomini	117 (46)
Bagno per donne	112 (44)
Bagno per bambini (4-7 anni)	81 (32)
Bagno per bambini (7-10 anni)	91 (36)
Bagno per bambini (10-13 anni)	102 (40)
Bagno per bambini (13-17 anni)	112 (44)
Altezza di montaggio per persone affette da handicap	94 (37)

Tabella 1

- Sebbene ciò non sia richiesto dal Codice Elettrico Nazionale U.S.A., si consiglia una protezione GFCI in ambienti umidi o bagnati o laddove richiesto dalle leggi vigenti.

⚠ AVVERTENZA Qualora non si rispettino i codici vigenti a livello locale, i codici NEC U.S.A. o i consigli sulla sicurezza, esiste il pericolo di incendio, lesioni a persone o danni alle cose.

- Utilizzare solo l'alimentazione elettrica (tensione e frequenza) specificata per il modello di asciugamani in fase di installazione.
- Collegare l'asciugamani al pannello di distribuzione adeguato più vicino.
- Al fine di limitare un'eventuale caduta di tensione e garantire un funzionamento efficiente, usare un filo di misura 12 o superiore, come richiesto a livello locale o previsto dal Codice Elettrico Nazionale U.S.A.
- Non collegare ad un circuito derivato con interruttore automatico o fusibile di protezione superiore a 20 ampere. Questa disposizione è conforme al Codice Elettrico Nazionale #210-20.
- Tutti i modelli automatici di asciugamani devono disporre di un circuito da 20 ampere separato, come suggerito da Underwriters Laboratories, Inc. (UL).

Asciugamani elettrico World Dryer Airmax™

Informazioni generali sulla sicurezza (Continua)

- Intradare tutto il cablaggio lontano da parti mobili all'interno dell'asciugamani.

⚠ ATTENZIONE *Un attacco inadeguato potrebbe causare lesioni a persone o danni a cose.*

- Attenersi ai consigli per il montaggio contenuti nella Tabella 1.
- Su una parete con perno, un lato dell'asciugamani deve essere montato su un perno esistente.

Installazione

PER I MODELLI (D)M5, 54, 548

1. Scollegare la fonte di alimentazione.
2. Usare la chiave Allen di sicurezza in dotazione per rimuovere le due (2) viti di montaggio della copertura. Rimuovere la copertura dall'unità.
3. Posizionare la base dell'asciugamani sulla parete all'altezza desiderata, consultando della Tabella 1 per determinare l'altezza consigliata per il montaggio. Con la base in posizione, utilizzarla come mascherina per contrassegnare i quattro fori per i bulloni di montaggio sulla parete. Qualora si installino due o più asciugamani, questi dovranno essere ad una distanza minima di 61 cm (24 pollici) da centro a centro.
4. Fissare la base alla parete, utilizzando il tipo di bulloni suggeriti nella Tabella 2.
5. Collegare l'asciugamano al pannello di distribuzione adeguato più vicino.

6. Rimontare la copertura, accertandosi di non serrarne troppo i bulloni.

PER I MODELLI DI ASCIUGAMANI AUTOMATICO (D)XM5, 54, 548

1. Scollegare la fonte di alimentazione.
2. Usare la chiave Allen di sicurezza in dotazione per rimuovere le due (2) viti di montaggio della copertura. Rimuovere la copertura dall'unità.
3. Posizionare la base dell'asciugamani sulla parete all'altezza desiderata, avvalendosi della Tabella 1 per determinare l'altezza consigliata per il montaggio. Con la base in posizione, utilizzarla come mascherina per contrassegnare i quattro fori per i bulloni di montaggio sulla parete. Qualora si installino due o più asciugamani, dovranno essere ad una distanza minima di 61 cm (24 pollici) da centro a centro. Esclusivamente per i modelli automatici: accertarsi che non vi siano oggetti riflettenti (quali un lavandino) direttamente sotto la cellula del sensore ad infrarossi; la distanza minima deve essere di 46 cm (18 pollici).
4. Tutti gli asciugamani automatici devono disporre di un UL con circuito da 20 ampere.

IMPORTANTE: prima di eseguire l'installazione dell'asciugamani, consultare i regolamenti a livello locale e generale. Accertarsi che la rete elettrica non sia sovraccarica. Non collegare ad un circuito derivato superiore a 20 ampere.

Manutenzione

1. Togliere il fusibile o scollegare dall'asciugamani dalla valvoliera.
2. Con la chiave Allen di sicurezza in dotazione all'asciugamani, togliere le due viti Allen dal fondo dell'unità.
3. Togliere la copertura dell'asciugamani.

ISTRUZIONI PER LA PULITURA

Prima di procedere, leggere le istruzioni nella loro interezza. In condizioni di utilizzo regolare, una pulitura annuale dell'asciugamani ne garantisce buone condizioni operative. Se il traffico del bagno in cui è montata l'unità è più intenso del normale, si consiglia di effettuare la pulitura ogni sei mesi. L'accumulo di filaccia e di polvere all'interno dell'asciugamani può causare danni al motore e all'elemento riscaldante, oltre che fuoriuscite di calore che potrebbero causare lesioni all'utente.

1. Spegnerne l'asciugamani presso l'interruttore automatico o il pannello dei fusibili.
2. Avvalendosi della chiave Allen di sicurezza, togliere le due viti di montaggio dalla copertura dell'asciugamani. Togliere le viti e sostenere la copertura.
3. Togliere le tre (3) viti laterali che tengono insieme l'alloggiamento del soffiante. Notare la posizione dell'elemento riscaldante. I fili conduttori sono diretti vengono il foro di scarico nelle sezioni dell'alloggiamento del soffiante; togliere con attenzione l'elemento riscaldante dall'alloggiamento, senza comunque scollegarne i fili.

NOTA: qualora si faccia uso del cablaggio di attacco in superficie, occorre ordinare un raccordo di compensazione opzionale, #100BR, per adattare il cablaggio all'EMT da 0,5 pollici.

Tipo di parete	Tipo di bullone	Lunghezza minima bulloni
Piastrella vuota, lamiera stirata, murata o metallo	Vite da 1/4" (M6) o bulloni con dado ad alette espansibili	Secondo lo spessore della parete
Mattoni in cemento o piastrelle coperte, cemento o mattoni	Bulloni di espansione con perno da 1/4" (M6)	76 mm (3 pollici)
Parete con perno e rinforzo in legno	Viti da legno n.16 (M8)	70 mm (2 3/4 pollici)

Tabella 2

Modelli (D)XM e (D)M

Manutenzione (Continua)

4. Pulire le sezioni delle rotelle del soffiante con una spazzola radiale dal diametro di 12,7 mm (0,5 pollici). Inserire la spazzola nello spazio tra le singole lame dell'elemento ed eliminare la polvere che vi si è depositata. Non piegare le lame.
5. Aspirare la polvere da soffiante e alloggiamento, riposizionare l'elemento riscaldante ed una sezione dell'alloggiamento, riapplicando le tre (3) viti laterali. Serrare appena, accertandosi che i pezzi di mica dell'elemento riscaldante siano posizionati nelle fessure dell'alloggiamento con fili di connessione che passano attraverso il foro dell'alloggiamento del soffiante.
6. Usare un pennello per vernici semi-morbido da 12,7 mm (0,5 pollici) per eliminare dal motore e dall'interruttore timer polvere e sporco. Durante la pulitura non piegare le lame dell'interruttore.
7. Usare una spazzola rigida per eliminare lo sporco internamente alla griglia dell'ugello e di ingresso. Per eliminare lo sporco dalla griglia di ingresso potrebbe essere necessaria dell'acqua. Se si fa uso di acqua, prima di rimontare la copertura accertarsi che sia completamente asciutta.
8. Ispezionare le spazzole del motore. Per ispezionare le spazzole, inserire uno stuzzicadenti nell'estremità del gruppo spazzole. Se lo stuzzicadenti rientra per più di 2,5 cm, sostituire le spazzole (consultare le istruzioni per la sostituzione).

9. Rimontare la copertura. Posizionare a filo la copertura sulla base e spingere a filo sulla parete. Inserire le due viti di montaggio della copertura e serrare fin quando appaiono sicure. Non serrare in eccedenza.

SOSTITUZIONE DELLE SPAZZOLE DEL MOTORE

1. Rimuovere la pinza elastica di tenuta che tiene in posizione il contenitore delle spazzole.
2. Estrarre lentamente il cappuccio spazzole fino ad esporre il connettore dei fili.
3. Staccare il connettore dei fili e togliere il gruppo spazzole e contenitore.

NOTA: al momento di disimballare il gruppo spazzole, tenere fermo il contenitore delle spazzole in fibra di carbonio. P/N 206NL

4. Inserire il nuovo gruppo in una posizione in cui sia possibile effettuare una connessione rapida dei fili.
5. Spingere insieme le connessioni rapide delle spazzole sul motore ed i manicotti delle spazzole.
6. Riportare in posizione il gruppo spazzole ed inserire la pinza elastica di tenuta.

SOSTITUZIONE DELL'ELEMENTO RISCALDANTE

1. Rimuovere le tre viti che tengono insieme l'alloggiamento del soffiante (#211PA e #112P) e togliere il lato #112P dall'alloggiamento.
2. Scollegare i fili bianchi dell'elemento riscaldante presso la morsettiera e il terminale a interruttore. Sostituire con il nuovo elemento riscaldante

di tensione e wattaggio adeguati, prestando attenzione a ricollegare esattamente come in precedenza.

3. Tenere l'elemento in posizione sul lato stazionario dell'alloggiamento del soffiante e far scorrere in posizione il lato scorrevole, accertandosi che i telai dell'elemento entrino nelle scanalature dell'alloggiamento e che entrambi i fili passino attraverso la tacca sulla sommità della presa dell'aria; rimontare le tre viti che tengono insieme l'alloggiamento del soffiante.
4. Ricollegare i fili alla morsettiera e all'interruttore. Controllare lo schema elettrico sulla copertura. Accertarsi che tutti i fili siano ricollegati correttamente e che corrispondano allo schema elettrico situato internamente alla copertura dell'unità.

SOSTITUZIONE DEI MODELLI CON INTERRUTTORE TIMER (D)M5, 54, 548

1. Togliere le viti dai due terminali sull'interruttore timer, contrassegnando i fili per garantire una corretta riconnessione ai terminali stessi.
2. Sostituire il timer difettoso (al momento di ordinare il timer specificare il modello di asciugamani).
3. Ricollegare i fili ai terminali.
4. Rimontare la copertura (accertarsi che si adatti alla perfezione sulla base) e spingerla in dentro fin quando non risulta a filo con la parete, inserendo quindi le due viti di montaggio della copertura. Non serrare in eccedenza le viti di montaggio.
5. Accendere l'asciugamani.

Per le parti di ricambio, chiamare il numero 1 (708) 449-0701

Indicare le seguenti informazioni:

- N. di modello
- N. di serie
- Descrizione della parte e numero riportato nell'elenco parti

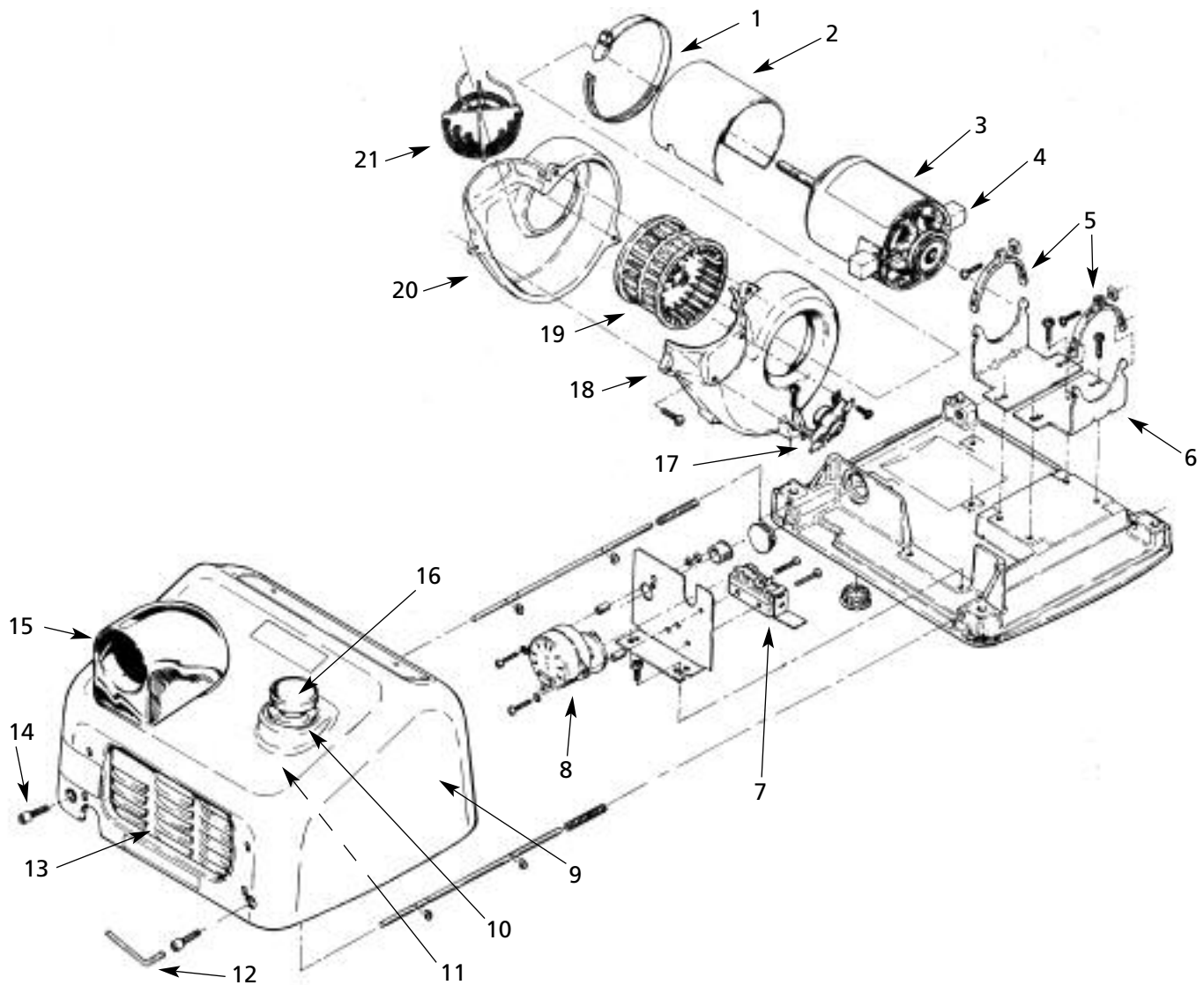


Figura 1 - Illustrazione delle parti di ricambio per asciugamani

Modelli (D)XM e (D)M

Elenco parti di ricambio per asciugamani

N. di rif.	Descrizione	N. di parte	Qtà.
1	Pinza, deflettore del motore	23-100	1
2	Deflettore, motore	127HS	1
3	Motore (D)XM5, (D)M5	32-120K	1
	Motore (D)XM54, (D)M54, (D)XM548, (D)M548	32-230K	1
4	Spazzola motore	206NL	2
5	Cinghia di montaggio motore	110-4A	2 serie
6	Staffe di montaggio motore	110-4	2
7	Solo micro-interruttore (D)M(All)	143F	1
8	Interruttore timer (D)M5	125XMK	1
	Interruttore timer (D)M54	125AMK	1
	Interruttore timer (D)M548	125MCEK	1
9	Copertura completa, in ferro fuso, automatico, bianco, XM(All)*	72DXM5-974K	1
	Copertura completa, in ferro fuso, a pulsante, bianco M(All)*	70M5-974K	1
	Copertura completa, acciaio, automatico, bianco DXM(All)*	70XM5-974K	1
	Copertura completa, acciaio, a pulsante, bianco DM(All)*	72DM5-974K	1
	Copertura completa, acciaio inossidabile, automatico/a pulsante*	Chiamare per effettuare ordinazioni	1
10	Adattatore per pulsante, guarnizione e boccia (D)M(All)	190K	1
11	Anello di tenuta pulsante, punta per asta isolata e kit molla (D)M(All)	193K	1
12	Chiave Allen di sicurezza	204TP	1
13	Griglia di ingresso, ferro fuso, a pulsante, con relativa bulloneria M(All)	194-1K	1
14	Viti copertura antimanomissione, Copertura in ferro fuso XM, M(All)	100B2	2
	Viti copertura antimanomissione, Copertura in acciaio DXM, DM(All)	46-330	2
	Rondella di sicurezza, copertura in acciaio DXM, DM(All)	59-005028	2
15	Kit gruppo ugello	34-172K	1
16	Kit gruppo pulsante (manopola, asta, anello, molla e punta) DM(All)	185K	1
17	Solo termostato da 3/4 pollici	1111-03	1
18	Sezione soffiante con attacco a base e termostato	211PA	1
19	Plastica soffiante	101P	1
20	Sezione soffiante con morsettiera - Lato sinistro	112P	1
21	Elemento riscaldante (D)XM5, (D)M5	213XM	1
	Elemento riscaldante (D)XM54, (D)M54, (D)XM548, (D)M548	213AM	1
Δ	Controllo sensore automatico - 115 V (D)XM	16-230-120 (D)A	1
Δ	Controllo sensore automatico - 208-230 V (D)XM54	16-240-208 (D)A	1
Δ	Controllo sensore automatico - 220-240 V, solo 50 Hz CE (D)XM548	16-230-240 CE	1
Δ	Sensore a infrarossi, cellula (D)XM(All)	49-238	1
Δ	Filtro, elettronico, solo 50 Hz CE (D)XM548, (D)M548	110-2	1

(*) Al momento di ordinare specificare il modello.

(Δ) Non in figura.

Asciugamani elettrico World Dryer Airmax™

Tabella per l'individuazione e soluzione dei problemi

Sintomo	Possibili cause	Azione correttiva
L'asciugamani non si accende	Unità non alimentata	Controllare che l'unità sia alimentata e verificare le connessioni
Attraverso l'ugello si intravede una luce, ma non soffia aria	Motore difettoso	Se necessario, sostituire le spazzole motore o il motore
L'asciugamani soffia aria fredda	Elemento riscaldante o termostato difettoso	Scollegare l'unità dall'alimentazione elettrica e rimuovere la copertura. Controllare l'elemento riscaldante e il termostato con un voltmetro universale; sostituirli se necessario
Il modello di asciugamani automatico non si spegne	Sensore sporco, difettoso o senza riflessione	<ol style="list-style-type: none"> Controllare che il sensore ad infrarossi non sia sporco o danneggiato. Usare soluzioni detergenti per obiettivi in plastica e un panno morbido. Asciugare l'obiettivo con un panno morbido Accertarsi che sul sensore non vi siano riflessioni provenienti da altri oggetti Con un ohmmetro testare il relè/contattore per accertarsi che vi sia continuità sulla bobina. La resistenza della bobina non deve superare i 2000 ohm Dopo aver inviato elettricità all'asciugamani, questo dovrebbe accendersi entro alcuni secondi. Testare portando le mani a 7,5-15 cm sotto l'ugello

GARANZIA LIMITATA

GARANZIA LIMITATA WORLD PER DIECI ANNI. I MODELLI DI ASCIUGAMANI ELETTRICO WORLD DRYER AIRMAX™ TRATTATI IN QUESTO MANUALE SONO GARANTITI DA WORLD DRYER CORP. ALL'UTENTE ORIGINALE DA DIFETTI DI LAVORAZIONE O MATERIALE IN CONDIZIONI DI UTILIZZO REGOLARE, PER LA DURATA DI DIECI ANNI DALLA DATA DELL'ACQUISTO. QUALSIASI PARTE CONSIDERATA DIFETTOSA IN MATERIALE O LAVORAZIONE E PERTANTO RESTITUITA, CON COSTI DI SPEDIZIONE PRE-PAGATI, SARÀ, COME RIMEDIO ESCLUSIVO, RIPARATA O SOSTITUITA A DISCREZIONE DELLA WORLD. AI FINI DELLE PROCEDURE DI RECLAMO PER GARANZIE LIMITATE, CONSULTARE LA SEZIONE "DESTINAZIONE IMMEDIATA" DI CUI SOTTO. QUESTA GARANZIA LIMITATA OFFRE ALL'ACQUIRENTE DIRITTI LEGALI SPECIFICI CHE VARIANO DA GIURISDIZIONE A GIURISDIZIONE.

LIMITAZIONE DI RESPONSABILITÀ. NELLA MISURA CONSENTITA DALLE LEGGI VIGENTI, LA RESPONSABILITÀ DELLA WORLD IN CASO DI DANNI DERIVATI O FORTUITI VIENE ESPRESSAMENTE RIFIUTATA. IN OGNI CASO LA RESPONSABILITÀ DELLA WORLD È LIMITATA E NON SUPERERÀ IL PREZZO DI ACQUISTO.

DICHIARAZIONE DI GARANZIA. SONO STATI PRESI I DOVUTI PROVVEDIMENTI PER GARANTIRE INFORMAZIONI CORRETTE SUL PRODOTTO, E PER ILLUSTRARE CON CURA I PRODOTTI RIPORTATI IN QUESTO DOCUMENTO. TUTTAVIA TALI INFORMAZIONI E ILLUSTRAZIONI HANNO IL SOLO SCOPO DI IDENTIFICARE, E NON ESPRIMONO O IMPLICANO UNA GARANZIA DI COMMERCIALIZZABILITÀ O IDONEITÀ AD UNO SCOPO PARTICOLARE, O CHE I PRODOTTI SARANNO NECESSARIAMENTE CONFORMI ALLE ILLUSTRAZIONI O DESCRIZIONI DI CUI SOPRA. FATTA ECCEZIONE PER QUANTO RIPORTATO DI SEGUITO, LA WORLD NON OFFRE E NON AUTORIZZA NESSUNA GARANZIA O AFFERMAZIONE DI FATTO, ESPRESSA O IMPLICITA, SE NON QUELLA INDICATA NELLA "GARANZIA LIMITATA".

Consulenza tecnica e consigli - Dichiarazione. Nonostante prassi o trattative/scambi praticati in precedenza, le vendite non includeranno consulenza tecnica o assistenza nel design del sistema. La World non si assume alcun obbligo o responsabilità in termini di consigli, opinioni o consulenza non autorizzati riguardo la scelta, l'installazione o l'utilizzo dei prodotti.

Idoneità del prodotto. Molte giurisdizioni prevedono codici e regolamenti che governano vendite, costruzione, installazione e/o utilizzo dei prodotti per scopi specifici, che possono variare da quelli in aree adiacenti. Sebbene la World tenti di garantire che i prodotti siano conformi a tali codici, non potrà garantire conformità e non potrà essere ritenuta responsabile dell'installazione o dell'utilizzo dei prodotti stessi. Prima di acquistare e utilizzare un prodotto, verificarne l'applicazione, unitamente a tutti i codici e ai regolamenti di pertinenza e vigenti a livello nazionale e locale, accertandosi che il prodotto, l'installazione e l'utilizzo siano conformi a quanto previsto.

Taluni aspetti delle dichiarazioni non riguardano i prodotti per consumatori; ad esempio, (a) alcune giurisdizioni non consentono l'esclusione o la limitazione di danni fortuiti o derivati; di conseguenza la limitazione o esclusione di cui sopra non avrà valore; (b) inoltre, alcune giurisdizioni non consentono o limitano la durata di una garanzia implicita e di conseguenza la limitazione di cui sopra non riguarderà l'utente in questione; infine (c) secondo le leggi vigenti durante il periodo di questa Garanzia Limitata e delle garanzie implicite di commerciabilità o idoneità implicita per uno scopo particolare riguardanti prodotti per consumatori acquistati da consumatori, potrebbero non essere escluse o altresì dichiarate.

Destinazione immediata. Sono stati adottati tutti i dovuti e ragionevoli provvedimenti per apportare correzioni immediate o altre modifiche ritenute necessarie per qualsiasi prodotto ritenuto difettoso durante il periodo della Garanzia Limitata. Per qualsiasi prodotto ritenuto difettoso durante il periodo della Garanzia Limitata, informare dapprima (per iscritto o per telefono) il concessionario presso cui si è effettuato l'acquisto. Il concessionario fornirà istruzioni in merito. Qualora non si sia soddisfatti del rimedio proposto, rivolgersi per iscritto alla World all'indirizzo di cui sotto, indicando il nome del concessionario, l'indirizzo, la data ed il numero di fattura del concessionario, descrivendo infine la natura del difetto.

Fabbricato da World Dryer Corp.
Berkeley, Illinois 60163 U.S.A.

