

MODEL A SERIES HAND DRYERS

Models A5, XA5, DA5, DXA5, RA5, XRA5 and DXRA5



Facts

- Saves up to 95% of paper towel costs*
- Reduces maintenance costs, vandalism and mess associated with paper towels*
- Saves trees from becoming paper towels*
- Reduces burden on clogged landfills*
- Uses less energy and produces fewer greenhouse gases than the production of paper towels*


Features

- Superior engineering and high performance*
- Quality materials provide maximum durability and vandal resistance*
- Available in a variety of cover options, push button or automatic, surface mounted or ADA compliant recessed models*
- Universal nozzle is shipped fixed and is easily convertible to swivel*

Warranty

- 10 year limited*
- 5 year on sensor*
- 3 year on motor brushes*

MODEL A SPECIFICATIONS

Models A5, XA5, DA5, DXA5, RA5, XRA5 and DXRA5 hand dryers shall be manufactured by or for World Dryer Corporation® to include a cover made of 1/4" thick cast iron with porcelain enamel finish, 14 gauge polished or brushed 304 stainless steel, 0.08" thick epoxy coated Cold Rolled Steel, or 1/4" thick WorldStone Thermoset Polymer. Motor shall be universal type, 1/10 HP at 7500 RPM. Dryers shall deliver 200 cubic feet per minute of air volume (7300 LFM). Timer shall be electromechanical cam-style with 25 AMP rated switch to operate dryer for 30 second period on push button units. Infrared sensor detects hands, initiates and terminates drying on automatic units. Recessed units are made with cast iron covers and use a 16-gauge steel wall mounting box. Hand dryers shall be listed under reexamination service of Underwriters Laboratories, Inc. 

SPECIFIER'S APPROVAL

Job _____	Date _____
Model Number _____	Quantity _____
Variations _____	
Customer/Wholesaler _____	
Contractor _____	
Architect/ Engineer _____	

Electronic specifications available online: www.worlddryer.com/specs



ELECTRICAL SPECIFICATIONS AND COVER OPTIONS

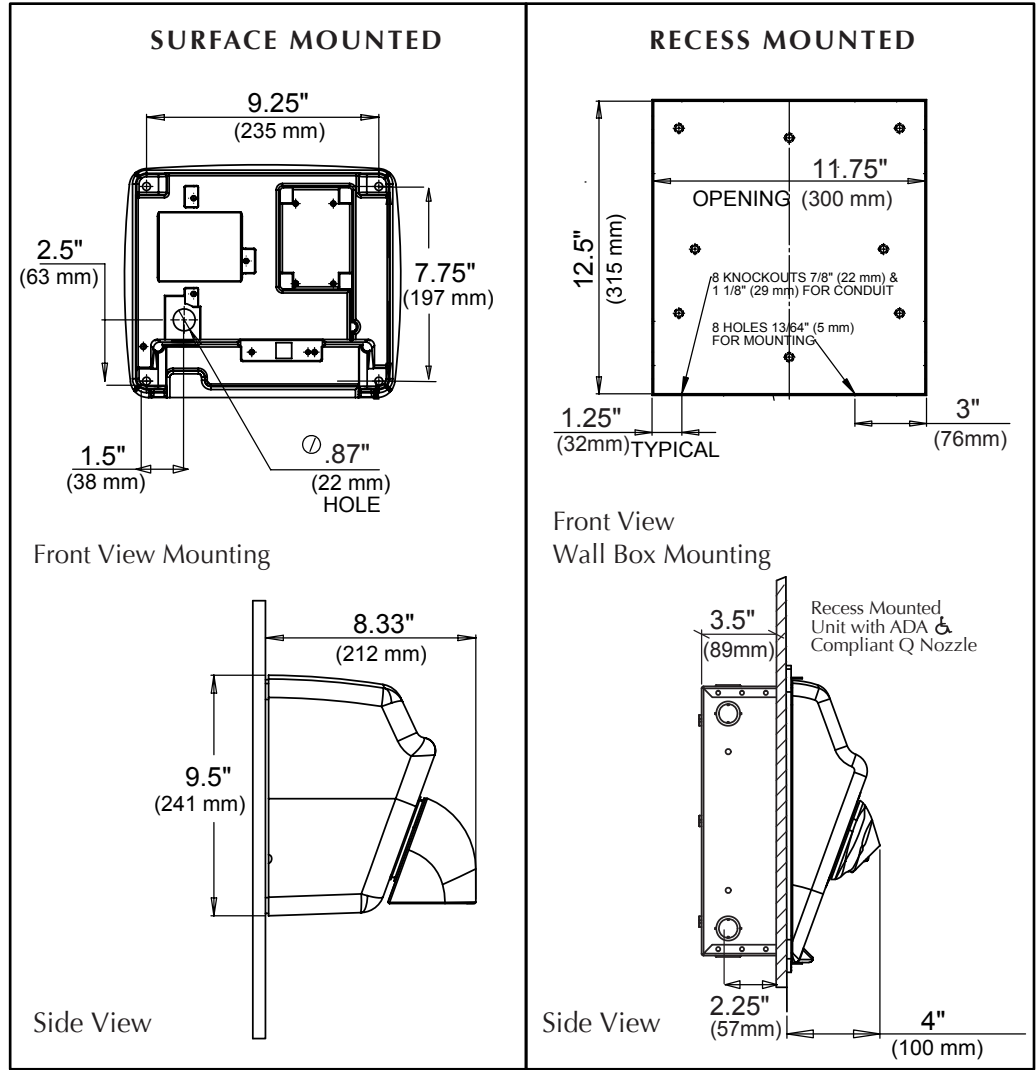
Activation	Volts	Amps	Watts	Freq	CAST IRON COVER		STAMPED STEEL		STAINLESS STEEL COVER	
					SURFACE	RECESSED	SURFACE	SURFACE	SURFACE	RECESSED*
Automatic	115	20	2300	60Hz	White	Beige	White	Polished	Brushed	Brushed
Automatic	115	15	1725	60Hz	XA5-974	XRA5-Q468	XA5-Q974	DXA5-972	DXA5-973	DXRA5-Q973
Automatic	208/230	10	2300	60Hz	XA52-974	XRA52-Q468	XRA52-Q974	DXA52-972	DXA52-973	DXRA52-Q973
Automatic	277	8.5	2300	60Hz	XA54-974	XRA54-Q468	XRA54-Q974	DXA54-972	DXA54-973	DXRA54-Q973
Automatic	230	10	2300	50Hz	XA57-974	XRA57-Q468	XRA57-Q974	DXA57-972	DXA57-973	DXRA57-Q973
Automatic					XA548-974	XRA548-Q468	XRA548-Q974	DXA548-972	DXA548-973	DXRA548-Q973

WORLDSTONE COVER (automatic surface mounted units only)
 Use a cast iron model number with the suffixes listed below, Example: XA5-668
 674 - White, 668 - Beige, 662-Ebony, 655-Granite Grey

PUSH BUTTON MODELS,
 Remove the "X" from the model number, For example: A5-974
 (push button not available in stainless steel recessed units)

* Available Fall 2008
 Not available in push button

MODEL NUMBERS For specification purposes, a model with a "5" in the model number (indicating a fixed nozzle) is the same as a model without the 5 (indicating a swivel nozzle). All Model A dryers now come only with fixed Universal nozzles that can be easily adjusted during installation (or thereafter) to be a swivel nozzle. Example: an A-974 is the same for specification purposes as an A5-974. The unit can only be purchased as an A5-974. Read the notes under the chart for more ordering information.



Drawings not to scale

PLANNING GUIDE

QUANTITY ESTIMATE
 Average traffic: 1 dryer per 2 washbasins

Heavy traffic: 1 dryer per washbasin
 54" Bradley sink: 4 dryers per sink

ADA COMPLIANCE ♿
 Recessed dryers come standard with "Q" nozzle to comply with ADA 4" protrusion requirements.

INSTALLATION
 Hand dryers require a dedicated 20 AMP circuit, and must be properly grounded. GFI Circuit protection is recommended. One side of dryer should be mounted to a stud.

DRYER PLACEMENT
 Hand dryers should be placed at least 2 feet apart, near but not over the washbasin. In congested areas dryers should be placed to create a traffic flow from wash basin to dryer to exit. Automatic dryers should be placed more than 18" above or away from projections, which may interfere with the operation of the automatic sensor.

MEASUREMENTS

Mounting Style	UNIT MEASUREMENTS	SHIPPING WEIGHT			SHIPPING DIMENSIONS
		Iron	Steel	WorldStone	
Surface	11-3/8" W x 9-5/8" H x 8-1/8" D	29 lbs	18 lbs	16 lbs	13" L x 10" W x 11-1/2" H
Recessed	13-1/8" W x 13-7/8" H x 4" D	35 lbs	---	---	15" L x 15" W x 11-1/4" H

MOUNTING HEIGHTS

	Surface	Recessed
Men	46" (117cm)	42" (107cm)
Women	44" (112cm)	40" (102cm)
Children ages 3-7	32" (81cm)	28" (71cm)
Children ages 8-10	36" (91cm)	32" (81cm)
Children ages 11-13	40" (102cm)	36" (91cm)
Children ages 14-17	44" (116cm)	40" (102cm)
Disabled	37" (94cm)	34" (86cm)

Measured from floor to the bottom of the unit

COVER MATERIALS

CAST IRON COVERS provide the ultimate in durability and vandal-resistance. The 1/4" thick cast iron with porcelain enamel construction makes this option suitable for areas such as train and bus stations, schools, theaters, airports, and prisons.

STEEL COVERS are an excellent alternative. They are both durable and economical. Grade 304 stainless steel covers are vandal resistant and offer a touch of elegance.

WORLDSTONE COVERS provide a durable, cost effective option to traditional metal covers. Available for Model A, surface mounted, automatic hand dryers. Embedded with antimicrobial agents to promote hygiene. Material originally developed for use in high temperature, demanding aerospace and automotive applications.