

KALAHARI™

MODEL # 2003B

BOTTOM DRAIN WATERLESS URINAL



**EcoTrap®
Inside!**



APPLICATION

- Commercial and Residential Use

FURNISHED WITH

- Two unit integrated wall hangers
- AllFlange™ slots for flange bolts
- Fastening hardware
- Gasket
- **Two EcoTraps®**, vertical trap design

Note:

Adequate BlueSeal® trap liquid to be provided for EcoTrap® of urinal, not furnished.

COLORS

Standard white; other colors available

WARRANTY

3 Year Limited Warranty.
Supply owner with warranty card



1991 - 2016
25 years of
RELIEF FOR
THE WORLD
WATERLESS

WATERLESS CO. INC. 800.244.6364

In keeping with our policy of product improvement, Waterless Co. reserves the right to change product specifications at any time without notice. It is the responsibility of the specifier, installer and wholesale seller to confirm specification at time of sale or installation. No responsibility is assumed, claimed or accepted by Waterless Co. Inc.

DESCRIPTION

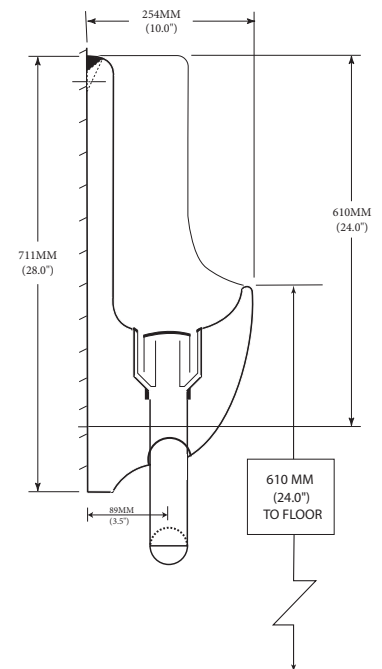
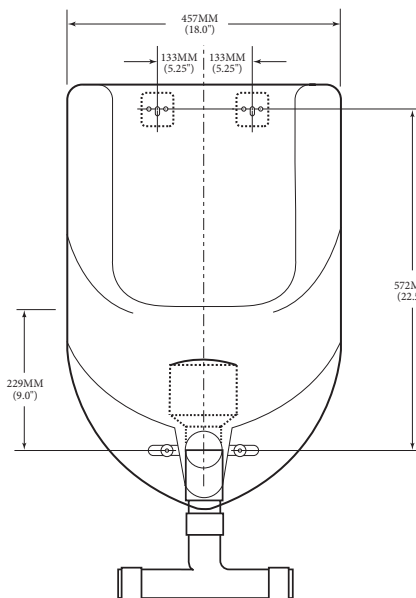
Waterless Co. Inc. No-Flush™ urinal Model #2003B Kalahari™ Bottom Drain, wall hung, made of High Performance Composite material (HPC) **for commercial and residential use.** Urinal to have a full 2" interior drain and 2" flanged waste outlet; suitable for direct connection to a 2" waste at the wall. Supplied EcoTrap® insert required. Trap insert to be of a vertical flow type with 360 degree perimeter openings and installed by press fit. Trap must be replaceable and refillable. Trap inserts are to be removed with a two pronged heavy duty stainless steel tool. Urinal to be fastened at the bottom front using standard bolts from brass urinal flange. The bottom of the urinal is to be fully enclosed.

DIMENSIONS (WxHxD)

18.0 x 28.0 x 10.0 inches (457 x 711 x 254 mm)

APPROX. WEIGHT

22 lbs (20.5 kg)



CODES/STANDARDS APPLICABLE: Complies with ASME A112.19.19, Z124.9, others.

FOR STANDARD INSTALLATION: mount at 24" above finished floor to lip of urinal or as required by architect. Center drain line to be determined by installer.

Supply suitable wall support, i.e. carrier. Install and maintain as per manufacturer's instructions. Urinal 2" drain outlet installs and drains to 2" waste. Retrofit or new construction. Use standard sanitation practices to maintain fixture.

NOTE:

Installation requires purchase of standard ABS 2" drain parts and wall screws plus washers for attachment at bottom, not included. Specify made in USA or Mexico.



WATERLESS
the innovative brand since 1991

© WATERLESS CO. INC. 0116