

DEL CASA™

MODEL # 2902 BOTTOM DRAIN WATERLESS URINAL



**EcoTrap®
Inside!**



APPLICATION

- Ship Board Use

FURNISHED WITH

- One 2" x 1.5" ABS reducer
- **Two EcoTraps®**, vertical trap design

Note:

Adequate BlueSeal® trap liquid to be provided for EcoTrap® of urinal, not furnished.

COLORS

Standard white; other colors available

WARRANTY

3 Year Limited Warranty.
Supply owner with warranty card



1991 - 2016
25 years of
RELIEF FOR
THE WORLD
WATERLESS

WATERLESS CO. INC. 800.244.6364

In keeping with our policy of product improvement, Waterless Co. reserves the right to change product specifications at any time without notice. It is the responsibility of the specifier, installer and wholesale seller to confirm specification at time of sale or installation. No responsibility is assumed, claimed or accepted by Waterless Co. Inc.

DESCRIPTION

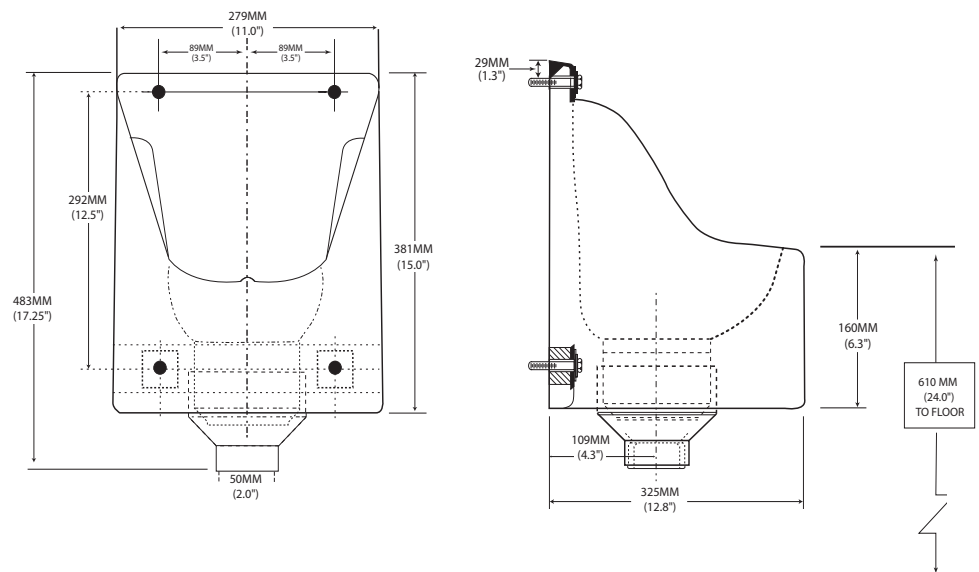
Waterless Co. Inc. No-Flush™ urinal Model #2901 Del Mar™, wall hung, made of High Performance Composite (HPC), **for ship board use** with 2" ABS interior drain and removable trap. Supplied vertical EcoTrap® insert required. Replaceable vertical plastic trap insert having a circular outer rim opening for flow. Trap to be inserted by press fit. Trap insert removable only by special two pronged tool. **Use standard Navy approved urinal fastening bolts and washers for installation.**

DIMENSIONS (WxHxD)

11.0 x 15.0 x 12.8 inches (279 x 381 x 325 mm)

APPROX. WEIGHT

12 lbs (5.5 kg)



CODES/STANDARDS APPLICABLE: Complies with ANSI Z124.9 and ASME A112.19.19. Corresponding DOD Standard: Z124.9-D2D4X2X1.

FOR STANDARD INSTALLATION: Mount at 24" above finished floor to lip of urinal or as required by ship specification.

Supply suitable wall support, i.e. carrier. Mount on standard Navy or shipboard approved urinal shock mount. Install and maintain as per manufacturer's instructions. Urinal 2" drain outlet installs and drains to 2" waste or use 2" x 1.5" ABS reducer bushing to convert to 1.5" drain. Retrofit or new construction. Use standard sanitation practices to maintain fixture.

NOTE:

Urinal is pre-drilled to accept standard Navy mounting hardware from other manufacturer's urinals in a retrofit scenario. **Customer to supply needed ABS or NAVSSES approved drain parts.** For new construction, specify to include: 1) standard Navy urinal fastening bolts and washers; 2) urinal shock mount rubber plates. Supply suitable support for bottom of urinal to drain line. Specify made in USA or Mexico.



WATERLESS
the innovative brand since 1991