
mediclinics

www.mediclinics.com

HAND DRYERS

**E05 / E05C / E05CS / E05B
E05A / E05AC / E05ACS / E05AB**

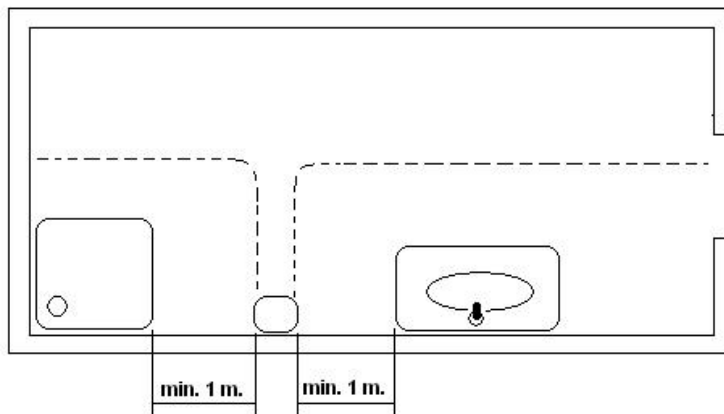


INSTALLATION AND OPERATING MANUAL

SAFETY INSTRUCTIONS

Before to carry on any operation, please read carefully and take into account the following safety instructions:

- Only a qualified technician can install, adjust and maintain this device. All this operations must be always done according to the current legal European Standards of installation and according the local installation regulations as well.
- Be careful when the casing of the appliance is dismantled because active parts of the device become accessible and then there is a potential risk of an electric shock.
- Before any electrical manipulation, the electrical current must be cut in order to avoid any electric shock risk
- The device must be fixed out of reach of a water source in order to fulfil the security distances marked into the current IEC standards and as the following figure shows:



- Be careful because local installation requirements can ask more than 1 m of safety distance. Take into account these local requirements as well.
- Hairdryers must be fixed out of reach of a person taking a bath or a shower.
- Means for disconnection, with contact separations at least 3 mm (0.12"), must be incorporated in the fixing wiring involving all poles, accordingly to the current legal European Standards.
- The installer must make sure that the electric system is grounded in accordance with the law in force.

- This appliance can be used by children aged from 8 years and above and persons with reduced physical, sensory or mental capabilities or lack of experience and knowledge if they have been given supervision or instruction concerning use of the appliance in a safe way and understand the hazards involved. Children shall not play with the appliance. Cleaning and user maintenance shall not be made by children without supervision.
- The device could not be installed on a normally inflammable surface.
- To fix the hand dryer to the wall follow the instructions of this manual and use the template provided with the device as well. To fix the machine with adhesives or similar methods is forbidden by the European safety standards.

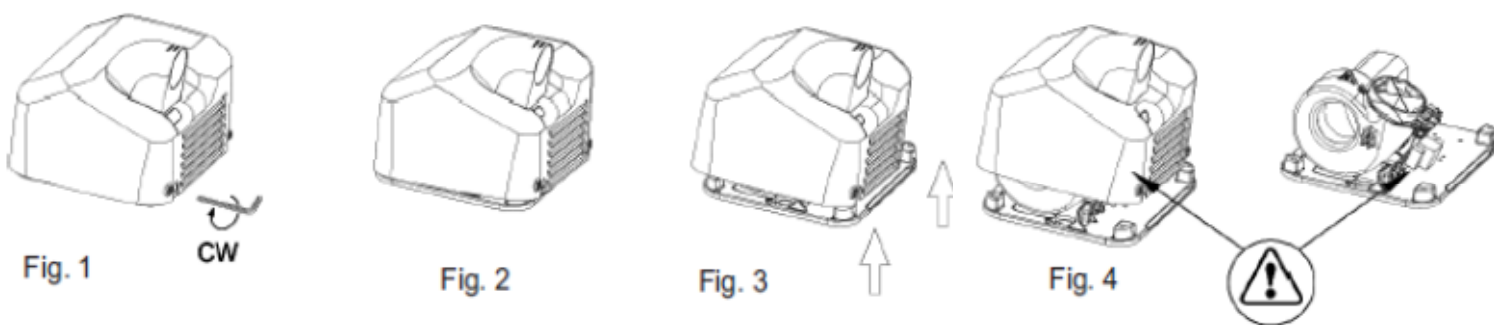
INSTALLATION

Dismantling for installation

The appliance is supplied with the two lower screws screwed to the base that secures the cover from the inside.

The cover should be removed in the following manner:

1. Screw the lower screws in a **clockwise - fashion (CW)** with the supplied special tool until they are fully screwed in place (see figure 1).
2. Remove the cover by raising it at a slight angle until the upper securing tab is freed (see figure 2). Remove the cover in a vertical direction, without striking the inside of the machine (see figure 3).



During this operation, do not:

- Damage any internal components, especially the electronic circuit housed under the column (see figure 4).
- Scratch the cover or the IR sensor visor (in the automatic model).

Mounting

The appliance's electrical installation is made via rear channelling (see fig. 5).

- The terminal block for the power supply cable wires and their entrance hole (Ø 22 mm - Ø 0.87" -) are located on the left-hand side of the dryer.
- This dryer is a class I appliance and includes an earth connection.

The installation process can be summed up as follows:

1. Drill four Ø 8 mm (Ø 0.31") holes using the supplied template. Clean up the holes once they have been made. Insert the fourplugs until they are flush with the surface (see figure 6).
 2. Pass the electric cable from the wall through the entrance hole (Ø 22 mm - Ø 0.87").
 3. Screw in the four supplied screws to firmly secure the base of the dryer to the wall (see figure 7).
 4. Connect the Neutral and Line (N, L) wires to the terminal block and the A/V cable to the earth connection screw (Class I) (see figure 8).
- 5.- Installing the cover on the dryer:
- Position the cover frontally.
 - Insert the upper tab in its housing in the base (see figure 9) by slightly tilting the cover.
 - Unscrew the screws in a counter-clockwise (CCW) direction using the supplied special tool (see figure 10).

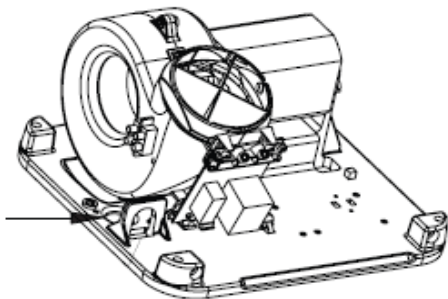


Fig. 5

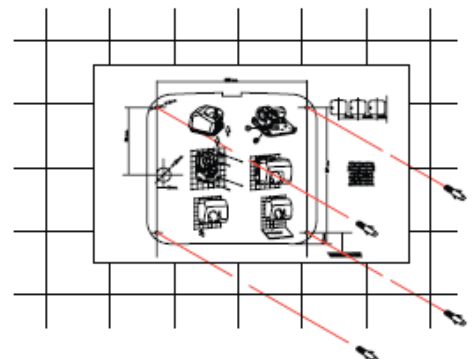


Fig. 6

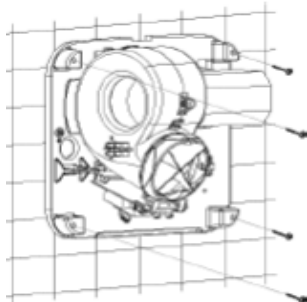


Fig. 7



Fig. 8

Care must be taken during this operation not to touch the electronic circuit that is housed under the column with the cover.

NOTE: a minimum distance of 40 cm (15.75") must be allowed between any possible shelves, marble or washbasins (see figure 11). As far as possible, reflecting surfaces should be avoided within the operating range of the IR sensors.

Location of the tab in the base

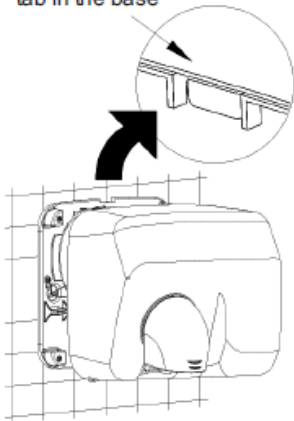


Fig. 9



Fig. 10

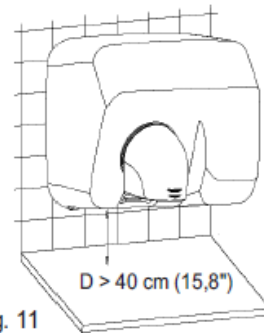


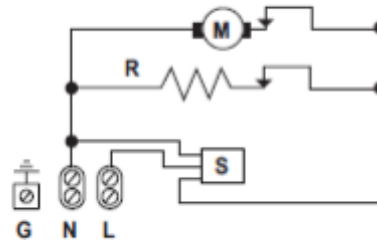
Fig. 11

The appliance should only be handled by qualified personnel.
WARNING: when the cover is removed, live parts of the appliance are exposed.
 Means for disconnection with contact separations at least 3 mm (0.12") must be incorporated in the fixing wiring.
 During the installation process, the protection areas should be considered according to Norm VDE 0100. The hand-dryer must only be installed on a closed surface, such as a wall, partition or similar.

WIRING DIAGRAM

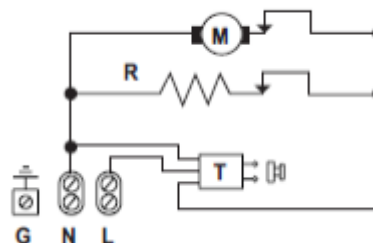
Automatic models

H - Heating element
 M - Motor
 S - Sensor
 G - Ground

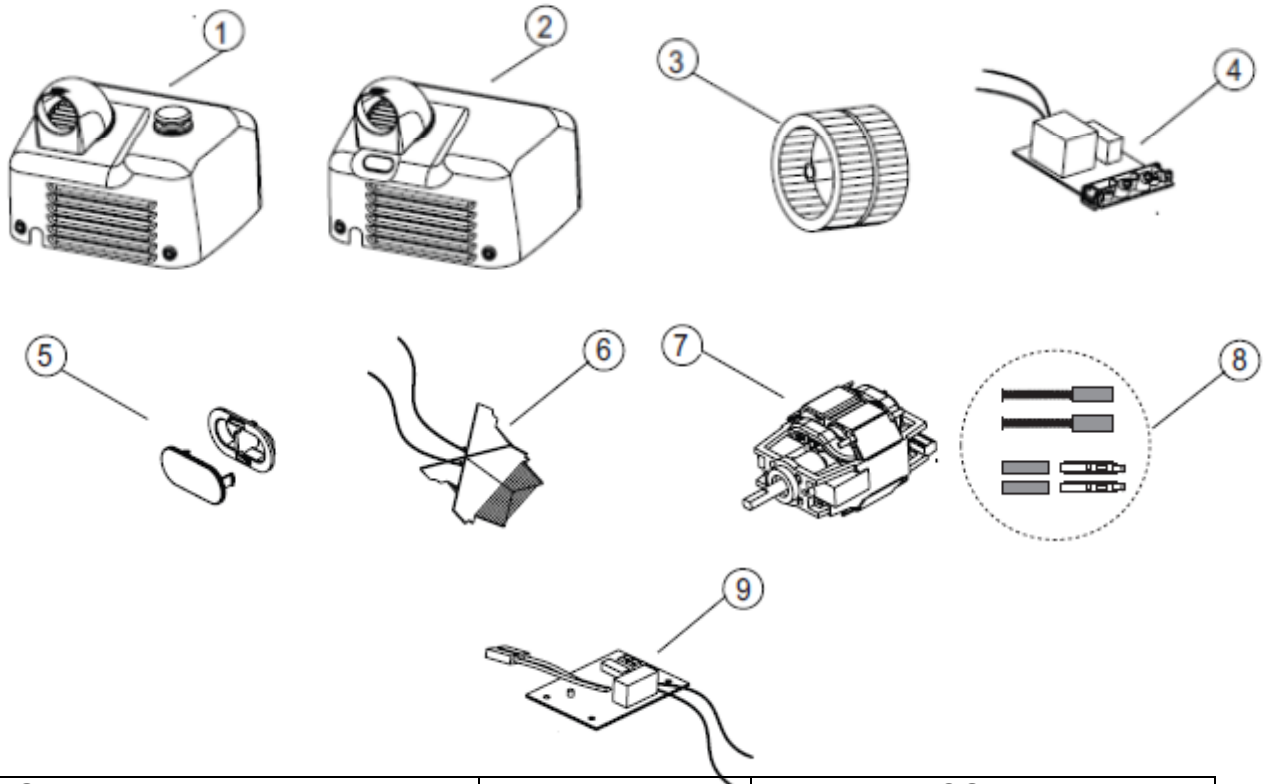


Pushbutton models

H - Heating element
 M - Motor
 T - Timer
 G - Ground



BREAKDOWN LIST OF BASIC PARTS



COMPONENT	NUMBER	CODE
White pushbutton cover	1	RC94810
Chrome bright pushbutton cover	1	RC94830
Chrome satin pushbutton cover	1	RC94820
Varnished pushbutton cover	1	RC94813
White automatic cover	2	RC94850
Chrome bright automatic cover	2	RC94870
Chrome satin automatic cover	2	RC94860
Varnished automatic cover	2	RC94815
Scroll-fan	3	RC95777
IR sensor	4	RC94600
IR sensor visor	5	RC94604
Heating element	6	RC95760
Motor	7	RC94748
Brushes set	8	RC95750
Electronic timer	9	RC94730

ADJUST DETECTING DISTANCE

The hand dryer has means to adjust manually the distance for detecting hands.

These adjustments of the motor speed must be made by a qualified technician only.

The adjustments can be made by moving the cursor of the linear potentiometer.

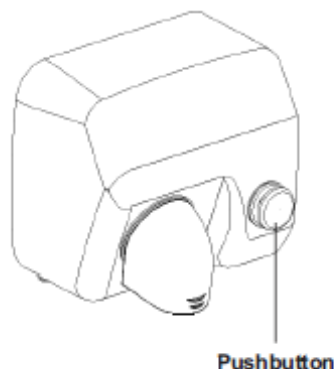


METHOD OF USE

To dry hands correctly, we recommend rising well to remove all traces of soap.

Pushbutton models:

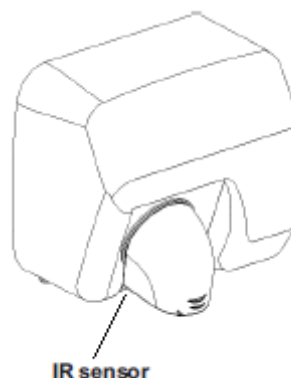
Press the start button. Immediately after approach the hands to the air outlet and rub them together. The hands can be gradually taken away from the dryer and will continue drying up to a maximum distance of 10 - 15 cm (3.9 - 5.9").



The handdryer works during 35 seconds, after that it stops and will be ready to work again.

Automatic models:

These models operate by hand detection. If hands are held 8 - 12 cm (3.1 - 4.7") from the air outlet the hand-dryer will automatically start-up. Immediately after the hands can be gradually taken away from the dryer and will continue drying up to a maximum distance of 15 - 20 cm (5.9 - 7.9"). The machine will stop 2 - 3 seconds after use.



This appliance is not intended for use by persons (including children) with reduced physical, sensory or mental capabilities, or lack of experience and knowledge, unless they have been given supervision or instruction concerning use of the appliance by a person responsible for their safety.

CHILDREN SHOULD BE SUPERVISED TO ENSURE THAT THEY DO NOT PLAY WITH THE HAND DRYER.

PREVENTIVE MAINTENANCE AND CLEANING

Correct cleaning of the machine will lengthen its working life considerably.

When in use, the machine will accumulate dust inside which should be cleaned out if used regularly, at least once a year.

CLEANING METHOD

- 1.- Remove the mains supply to the hand-dryer.
- 2.- Remove the cover (see the section "Dismantling for installation" in this manual).
- 3.- Clean away any accumulated dust on the scroll-fun with a soft-bristle brush while rotating it manually.
- 4.- Use the same brush to clean away all accumulated dust from the other components.
- 5.- Use a medium brush to clean the air inlet grill. Check the motor brushes condition. These should be replaced when they are less than 5 mm (0.2").
- 6.- Carefully remove any dust from the electronic circuit using a fine brush. Check that there is no dust or other dirt on the hand-detection sensors.
- 7.- In automatic models ensure that the IR LED visor is clean and check that it is completely transparent.
- 8.- Once all maintenance operations have been completed, replace the cover (see the section "Installation" in the manual) and then reconnect the mains supply.
- 9.- Start up the machine and leave until no further dust remaining from the cleaning process, comes out from the nozzle.

CLEANING OF CHROMED AND PLATED COVERS

For cleaning purposes only a wet cloth is to be used. Do not use any kind of detergent, acids, lye, abrasives, hydrochloric acid, etc.

Take care not to damage or force any component.

NOTE: All maintenance and cleaning processes must be carried out by qualified personnel.

ELIMINACIÓN DE RESIDUOS DE APARATOS ELÉCTRICOS Y ELECTRÓNICOS POR PARTE DE USUARIOS DOMÉSTICOS EN LA UNIÓN EUROPEA.

El producto que ha adquirido ha sido diseñado y fabricado con materiales y componentes de alta calidad que pueden ser reciclados y reutilizados.



Cuando vea un producto marcado con este símbolo de un contenedor de basura con ruedas tachado significa que dicho producto está regulado por la Directiva Europea 2002/96/EC sobre residuos de aparatos eléctricos y electrónicos. Este símbolo indica que el producto no se puede desechar junto con los residuos urbanos habituales. Cuando un producto marcado con dicho símbolo deba ser eliminado es responsabilidad del usuario entregarlo en un punto de recolección de aparatos eléctricos y electrónicos designado.

Para obtener más información sobre cómo desechar sus aparatos eléctricos o electrónicos una vez hayan concluido su vida útil, póngase en contacto con las autoridades locales, el servicio de gestión de residuos urbanos o el establecimiento donde adquirió el producto.

La correcta recogida y tratamiento de los aparatos inservibles contribuye a preservar recursos naturales y también a evitar riesgos potenciales para la salud pública.

DISPOSAL OF WASTE ELECTRICAL AND ELECTRONIC EQUIPMENT BY DOMESTIC USERS IN THE EUROPEAN UNION.

The product you have purchased has been designed and manufactured using high-quality materials and components that can be recycled and reused.



If you see a product marked with this symbol, consisting of a crossed-out rubbish bin with wheels, it means that the product is regulated by European Directive 2002/96/EC regarding the disposal of waste electrical and electronic equipment. This symbol indicates that the product must not be disposed of together with habitual municipal waste. Owners and users of all products marked with this symbol should take them to a specially designated collection point for waste electrical and electronic equipment.

For further information on how to dispose of waste electrical or electronic equipment once its useful life has ended, please contact your local authorities, the urban waste disposal service or the establishment in which the product was purchased.

The proper collection and disposal of old equipment contributes to preserving the natural environment and preventing potential hazards to public health.

ENTSORGUNG VON ABFALLPRODUKTEN ELEKTRISCHER UND ELEKTRONISCHER GERÄTE VON PRIVATPERSONEN IN DER EUROPÄISCHEN GEMEINSCHAFT

Das von Ihnen erworbene Produkt ist unter Verwendung hochwertiger Materialien und Bauteilen entwickelt und hergestellt worden, die wiederverwertet und –verwendet werden können.



Wenn ein Produkt mit dem nebenstehenden Symbol – ein durchgestrichener Müllcontainer auf Rädern – gekennzeichnet ist, dann bedeutet dies, dass dieses Produkt der Europäischen Richtlinie 2002/96/EC über elektrische und elektronische Abfallprodukte unterliegt. Dies bedeutet, dass das Produkt nicht mit dem gewöhnlichen Haushaltsmüll entsorgt werden darf. Wenn ein derart gekennzeichnetes Produkts entsorgt werden muss, dann ist es Verantwortung des Anwenders, das Produkt in einem speziell für elektrische und elektronische Abfallprodukte ausgewiesenen Wertstoffhof zu entsorgen.

Wenn Sie mehr Information über die Entsorgung von elektrischen und elektronischen Abfallprodukten nach deren Nutzungsdauer wünschen, dann setzen Sie sich bitte mit den örtlichen Behörden, mit dem für die Hausmüllentsorgung beauftragten Unternehmen oder mit dem Geschäft in Verbindung, in dem Sie das Produkt erworben haben.

Die richtige Entsorgung und Behandlung von nicht mehr brauchbaren Geräten trägt zur Beibehaltung der natürlichen Ressourcen bei und verhindert potenzielle Gefahren für die allgemeine Gesundheit.

ÉLIMINATION DES DÉCHETS DES ÉQUIPEMENTS ÉLECTRIQUES ET ÉLECTRONIQUES PAR LES UTILISATEURS DOMESTIQUES DANS L'UNION EUROPÉENNE.

Le produit dont vous venez de faire l'acquisition a été conçu et fabriqué à l'aide de matériaux et de composants de haute qualité qui peuvent être recyclés et réutilisés.



Quand vous voyez un produit portant ce symbole de container poubelle sur roues barré, cela signifie que ledit produit est régulé par la Directive Européenne 2002/96/CE relative aux déchets d'équipements électriques et électroniques. Ce symbole indique que le produit ne peut pas être jeté avec les déchets urbains habituels. Lorsqu'un produit marqué par ce symbole doit être jeté, il en va de la responsabilité de l'utilisateur de le remettre à un point de collecte appareils électriques et électroniques désigné.

Pour obtenir plus d'informations sur le moyen de jeter vos appareils électriques et électroniques une fois leur durée de vie épuisée, contactez les autorités locales, le service de gestion des déchets urbains ou l'établissement où vous avez acheté le produit.

La collecte et le traitement corrects des appareils inutilisables contribue à préserver les ressources naturelles et également à éviter des risques potentiels pour la santé publique.

MEDICLINICS, S.A.
Industria, 54
E-08025 BARCELONA
SPAIN

Tel.: +34 934 464 700
Fax: +34 933 481 039
info@mediclinics.com
www.mediclinics.com



20/11/13 COD.: 94915