

# Installation

## S1944011ABC

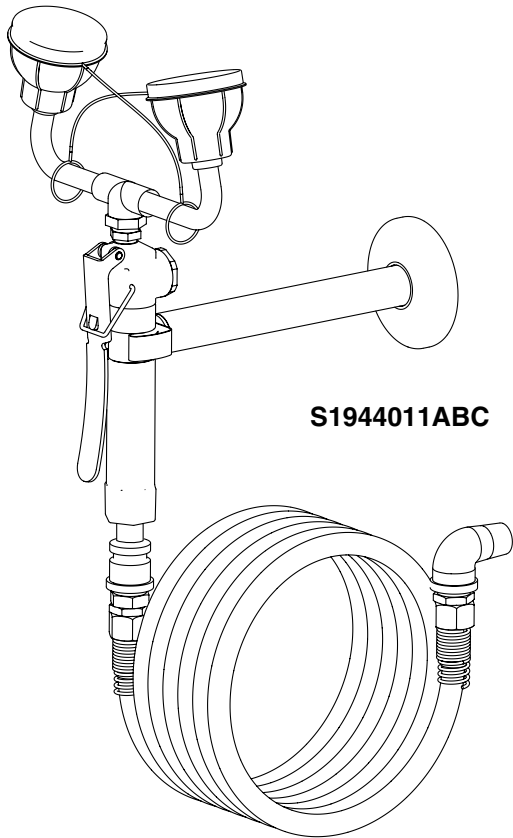
Hand-Held Drench Hose and Eye/  
Face Wash (with 12' Hose)

## S1944011BBC

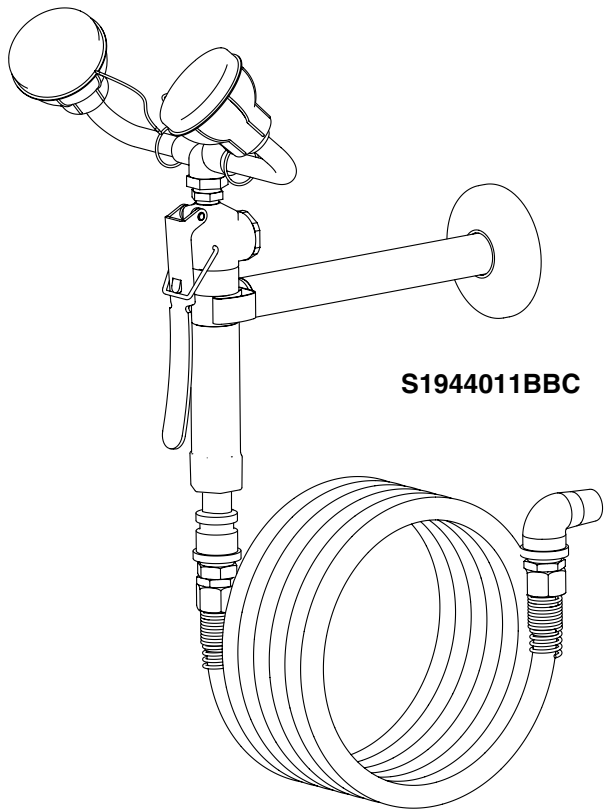
Hand-Held Drench Hose and Angled  
Eye/Face Wash (with 12' Hose)

### Table of Contents

Pre-Installation Information . . . . .	2
Installation Instructions . . . . .	3
Assembly of Components and Parts List . . . . .	4

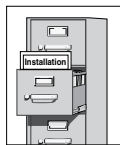


S1944011ABC



S1944011BBC

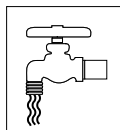
## IMPORTANT



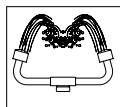
Read this installation manual completely to ensure proper installation, then file it with the owner or maintenance department. Compliance and conformity to drain requirements and other local codes and ordinances is the responsibility of the installer.



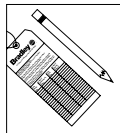
Separate parts from packaging and make sure all parts are accounted for before discarding any packaging material. If any parts are missing, do not begin installation until you obtain the missing parts.



Flush the water supply lines before beginning installation and after installation is complete. Test the unit for leaks and adequate water flow. Main water supply to the eyewash should be "ON" at all times. Provisions shall be made to prevent unauthorized shutoff.



The ANSI Z358.1 standard requires an uninterrupted supply of flushing fluid. Bradley plumbed emergency fixtures require a minimum of 30 PSI (0.21 MPa) flowing pressure. Flushing fluid should be tepid per ANSI Z358.1.



The inspection and testing results of this equipment should be recorded weekly to verify proper operation. This equipment should be inspected annually to ensure compliance with ANSI Z358.1.



Workers who may come in contact with potentially hazardous materials should be trained regarding the placement and proper operation of emergency equipment per ANSI Z358.1.



For questions regarding the operation or installation of this product, visit [www.bradleycorp.com](http://www.bradleycorp.com) or call 800.BRADLEY (800.272.3539).

Product warranties and service parts information may also be found under "Products" on our web site at [bradleycorp.com](http://bradleycorp.com).

**NOTICE!** Avoid cleaners containing organic solvents, alcohols, and hydrocarbons.  
Rinse with water after cleaning.

### Supplies Required:

- Teflon tape and/or pipe sealant
- ½" NPT water supply inlet (30–90 psi)
- (2) ¼-20 screws (stainless steel recommended) and anchors
- Sign-mounting hardware
- Backflow prevention device as required by UPC, IPC and/or local plumbing codes



Local codes may require the installation of a backflow prevention valve to complete proper installation. Compliance with local codes is the responsibility of the installer. Valve must be tested annually to verify that it is functioning properly. Backflow prevention valves are not included with the fixture and may be supplied by the contractor or purchased from Bradley Corporation.

## Installation

### Step 1: Mount the bracket to the wall

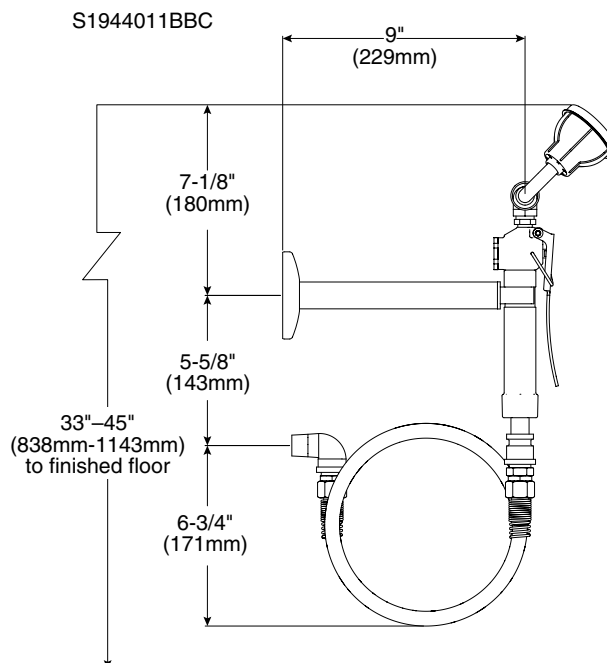
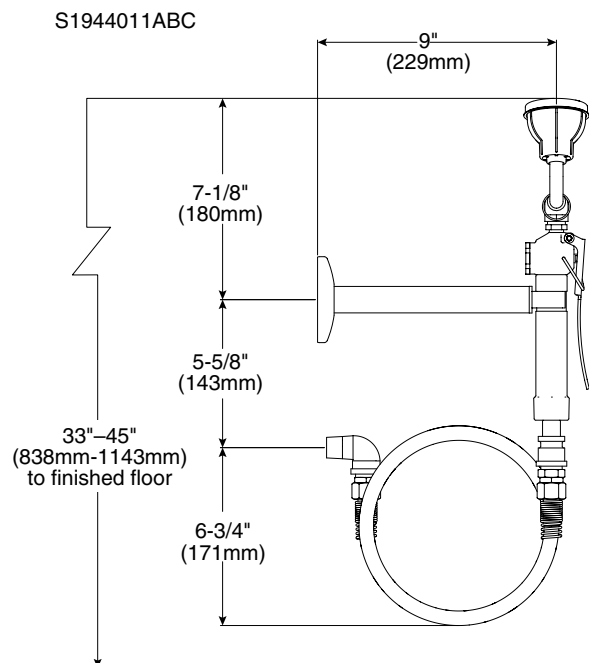
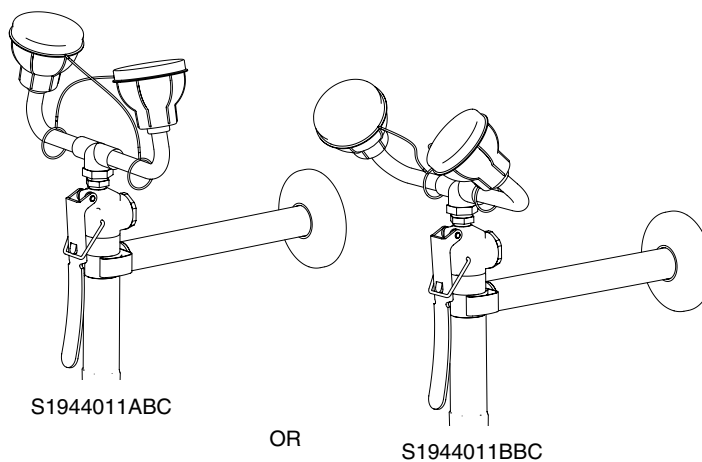
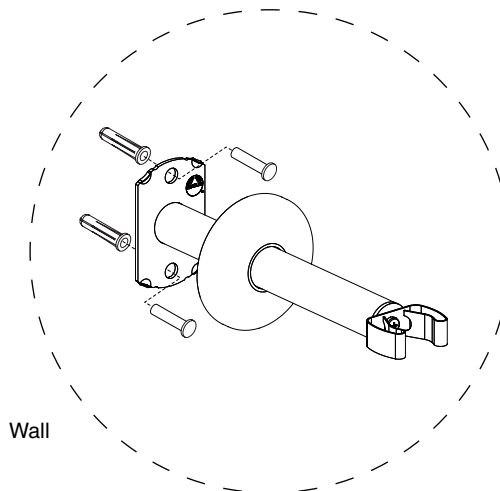
- Install the unit so that the top of the sprayhead measures 33"-45" (838mm-1143mm) from the finished floor.

1. Rough in 1/2" NPT supply piping (by installer) from the wall where the drench hose is desired.
2. Using the bracket flange as a template, mark the anchor/screw locations on the wall.
3. Mount the bracket to the wall with two suitable anchors and 1/4-20 screws (supplied by installer). Mount in a location unobstructed to the user.

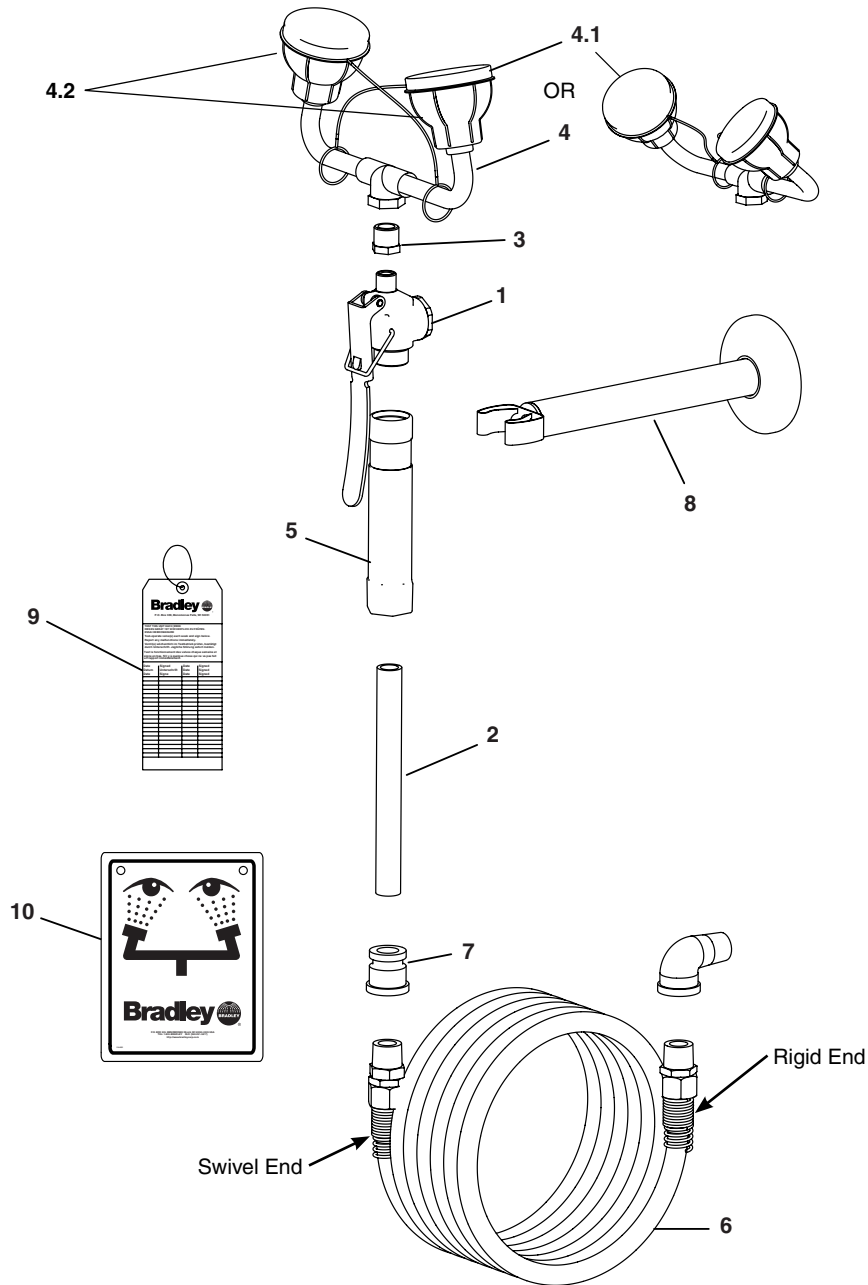
### Step 2: Connect the hose assembly

Apply pipe sealant (supplied by installer) to all male threaded pipe joints.

- Connect rigid end of the drench hose to the supplied elbow and then attach elbow to 1/2" NPT supply from the wall.
2. Install the valve body onto the other end of the hose.
  3. Mount the safety sign to the wall using the sign-mounting hardware supplied by installer.
  4. Open the water supply line. Test for leaks and adequate water flow.
  5. Orientate yoke on wall bracket to a usable position using the swivel hose fitting so that the fixture is ready for use.



# Assembly of Components and Parts List



Water flow rate: 3.9–5.9 gallons (14.8–22.3 liters) per minute.

Item	Part No.	Qty.	Description	Item	Part No.	Qty.	Description
1	S27-332	1	Sprayhead Assembly	5	128-182	1	Handle, Drench Hose
2	113-1225	1	Pipe Extension	6	269-053	1	Recoil Hose, 12'
3	169-215A	1	Reducer, 3/8" x 1/4" NPT	7	169-078	1	Reducing Coupling, 1/2" x 3/8"
4	S05-064D	1	Eye/Face Wash Yoke Assy (Straight)	8	S70-175	1	Wall-Mount Assembly
	S05-148	1	Eye/Face Wash Yoke Assy (Angled)	9	204-421	1	Emergency Inspection Tag
4.1	S53-063	2	Dust Covers only	10	114-051	1	Safety Sign
4.2	S45-2453	1	Service Kit EFW - Black Sprayheads				