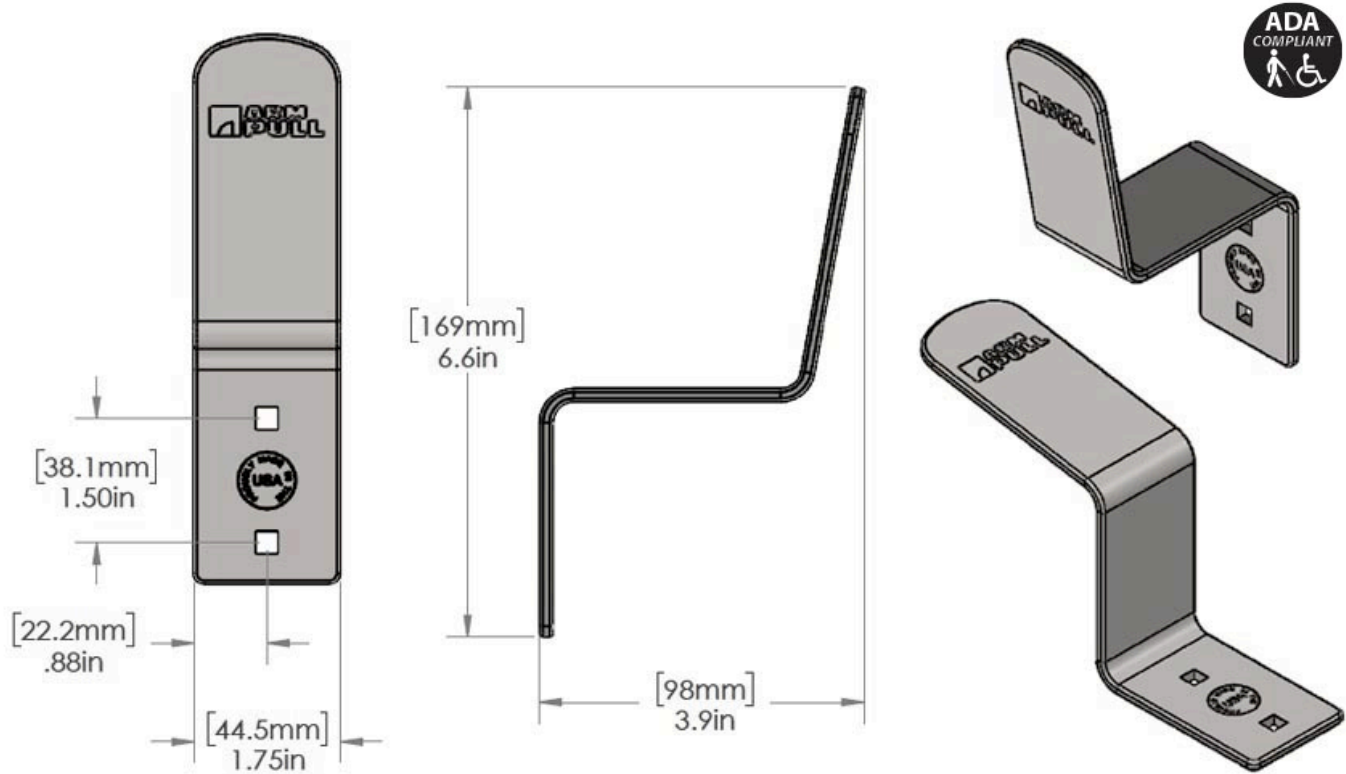


**SURFACE MOUNTED HANDS-FREE DOOR OPENER****SPECIFICATION**

The ArmPull Slim surface mounted, hands-free door opener shall be fabricated of 10-gauge corrosion resistant type 304 stainless steel for optimum strength and durability and shall have 2 mounting holes to accommodate the two #14, 1.25" stainless steel screws that are included. Surfaces shall be finished with a uniform satin (brushed) finish. The ArmPull Slim shall have rounded corners and chamfered edges for comfort. Upper section of the ArmPull Slim handle shall be angled at 102 degrees and shall provide a minimum of 3.25 and a maximum of 3.77 inches clearance from door surface to enable the best combination of pulling force and easy ingress/egress. The ArmPull Slim shall be ADA Compliant, meeting guidelines for operation (Section 309.4), forward reach (if mounted lower than 48") (Section 308.2) and protruding objects (Section 204). The ArmPull Slim shall be manufactured in the USA.

**INSTALLATION**

The ArmPull Slim is designed to be mounted alone or just above an existing handle on a non-latching door using the screws provided. The ArmPull Slim may be mounted vertically or horizontally and at such height as to provide an ergonomic, hands-free way to open a door. The ArmPull Slim is rated for indoor or outdoor use.

**5 YEAR LIMITED WARRANTY**

Supplier represents and warrants that this item will be free from defects in material or workmanship and that no defect in material or workmanship will prevent the item from functioning and performing in accordance with the specifications throughout the warranty period. To submit a claim, the customer must first contact the supplier to authorize a return. It is the customer's responsibility to arrange and pay for shipping the faulty item back to supplier for evaluation before any claim can be processed. After inspection, if, in the supplier's sole judgement, the item is deemed to be faulty and within the warranty period, supplier will deliver a new, similar or comparable item to the customer free of charge or, supplier will refund the original cost of the item, excluding any original shipping costs, at supplier's discretion. Supplier will arrange and pay for the cost of shipping the item back to the customer if within the 50 United States. It is the customer's responsibility to arrange and pay for shipping and other delivery fees outside of the 50 United States. Proof of purchase required for any claim.