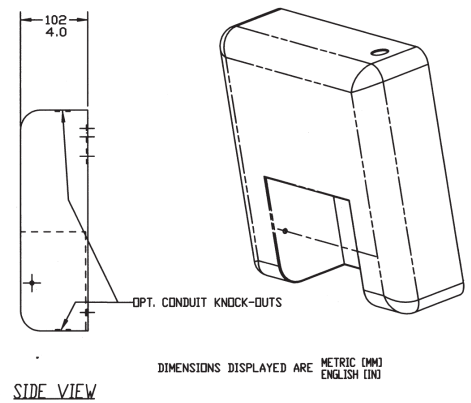
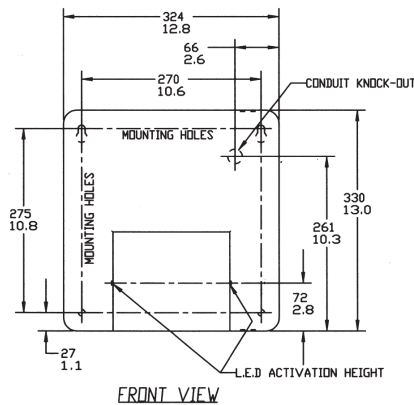


SURFACE MODEL P3-12S

Touchless Hand Dryer



TECHNICAL INFORMATION:

Motor - Heavy-Duty, 7500 RPM, Double-Insulated, CSA & UL Component Approved

Power Consumption - 11 amps 1.25 KW at 120 VAC Nominal

Fan Rotor - Pressed, Galvanized and Electrically balanced delivering 150 CFM

Heating Element - 1000W heavy-duty, thermally protected to cut out at 85 C

Warranty - Limited 10-year warranty; 3 years on circuit board

Cover - 20 gauge stainless steel

Circuitry - All new solid-state circuitry has completely eliminated all mechanical parts. Unit is activated by an infrared sensor when hands are placed in drying chamber. Dryer operates only when in use.

Drying Time - Complete drying is accomplished in 12-15 seconds

Weight - 12 lbs.

Safety - Five levels of over-temperature protection

Circuit Disconnect - Power switch located inside dryer

User Repairable - Minimum number of parts to wear out (5), fixable in minutes without removing dryer from wall

 **Stainless Steel Cover and Drying Chamber**

 **Vandal Resistant**

 **Low Power Consumption**

 **ADA Compliant ONLY 4" DEEP**

Also available in matte black and white finish for an additional \$25 (2-4 week lead time)

INSTALLATION:

The Pinnacle touchless hand dryer must be installed on a 20 AMP dedicated circuit and must be properly grounded. We recommend installing dryers on a GFI breaker.

Caution: Route field wiring connections away from moving parts. Disconnect from power before servicing

Dryer must be installed in accordance with the National Electric Code (NEC) and any local or state codes.

Mount Model #P3-12S to wall with four (4) lead anchors or four (4) toggle bolts. The P3-12S has three (3) electric knockout options. Preferred knock-outs are on the back of the base plate. Optional knock-outs are provided on the top and bottom of cover.

FOR THE UNIT TO FUNCTION PROPERLY INSTALLATION SHOULD BE COMPLETE AND THE COVER IN PLACE.

RECOMMENDED MOUNTING HEIGHTS

(check code requirements in your area)

Distance from floor to electronic eye in drying chamber:

Men's Washroom - 46" (117cm)

Women's Washroom - 44" (112cm)

Children's Washroom ages 4-7 - 32" (81cm)

Children's Washroom ages 8-10 - 36" (91cm)

Children's Washroom ages 11-13 - 40" (102cm)

Children's Washroom ages 14-17 - 44" (112cm)



Complies with UL 499 Listing #E212260

WARRANTY: PINNACLE DRYER CORPORATION EXTENDS A TEN (10) YEAR WARRANTY ON REPLACEMENT PARTS. This warranty applies only to the original purchaser and is effective from date of purchase. The printed circuit board shall have a warranty for three (3) year from date of purchase. Liability other than replacement of defective parts will not be accepted by the company. This warranty does not include parts damaged due to electrical storms and other acts of nature. As "Pinnacle" hand dryers are designed to be repaired very easily without removal from the wall, shipping and factory labor cost are normally eliminated. In the event the purchaser prefers to return the hand dryer to the factory for repair, all parts under warranty will be repaired with purchaser paying a \$30.00 service charge and all freight costs. This warranty is limited to replacement of defective parts only and does not apply to normal wear and tear, malicious damage, vandalism or improper installation. All defective parts must be returned prepaid to the factory along with hand dryer serial number.