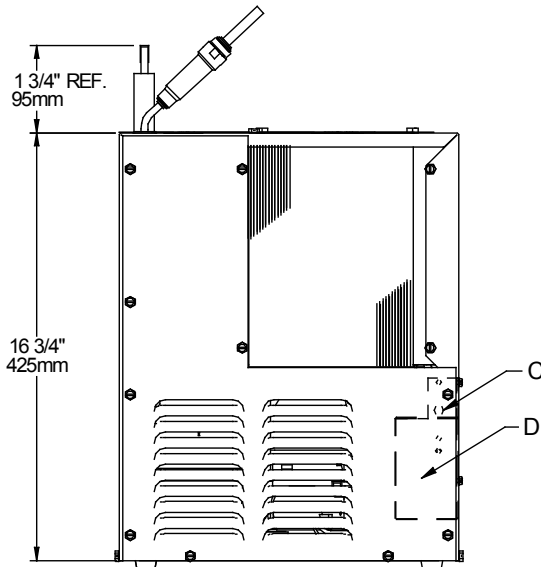
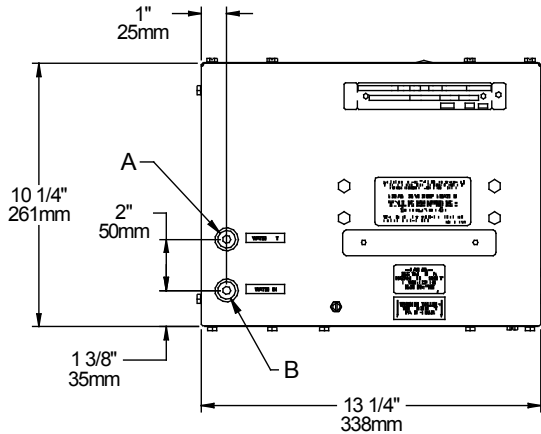


ELKAY® Refrigeration Package

INSTALLATION, CARE & USE MANUAL

Note: Danger! Electric shock hazard. Disconnect power before servicing unit.

USES HFC-134A REFRIGERANT



LEGEND
A = 1/4" O.D. TUBE WATER OUTLET
B = 1/4" O.D. TUBE WATER INLET
C = TEMPERATURE ADJUSTMENT
D = ELECTRICAL

INSTALLATION

1. When mounting unit in an open area, to insure proper ventilation, maintain a 4" (102mm) clearance from cabinet louvers on each side of cooler. When mounting unit in a cavity or behind a wall maintain minimum space of 4" (102mm) on each side, 4" (102mm) on the top and a depth of 12" (305mm).
2. Water inlet is 1/4" (6 mm) O.D. tube. Contractor to supply the connections as required.
3. Connecting lines to be of unplated copper, thoroughly flushed to remove all foreign matter before being connected to cooler. If flushing does not remove all particles, a water strainer should be installed in supply line. This cooler is manufactured in such a manner that it does not in any way cause taste, odor, color or sediment problems.
4. Connect cooler to building supply line with a shut-off valve and install the in-line strainer between the valve and cooler.
5. Electrical: Make sure power supply is identical in voltage, cycle, and phase to that specified on cooler serial plate. Never wire compressor directly to the power supply.
6. This chiller has been designed for use with potable water **ONLY**.

START-UP

1. Open supply line valve.
2. Purge air from all water lines by operating bubbler valve of fountain to which cooler is connected. Steady stream assures all air is removed.
3. Rotate fan to insure proper clearance and free fan action.
4. Connect to electrical power.

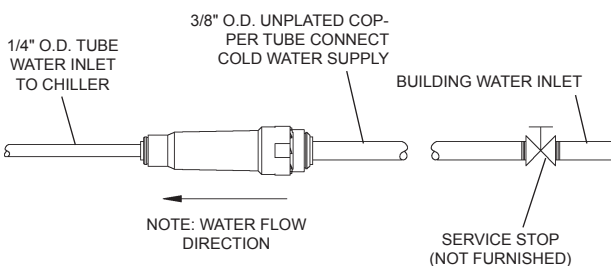
TROUBLE SHOOTING & MAINTENANCE

Temperature Control: Factory set at 50°F (± 5°) under normal conditions. For colder water, adjust screw on item no. 9 in clockwise direction.

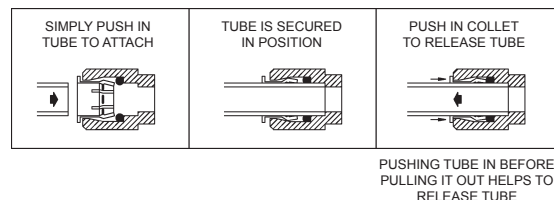
Ventilation: Cabinet louvers and condenser fins should be periodically cleaned with brush, air hose or vacuum cleaner. Excess dirt or poor ventilation can cause no cold water and compressor cycling on the compressor overload protector.

Lubrication: Motors are lifetime lubricated.

Actuation of Quick Connect Water Fittings: Cooler is provided with lead-free connectors which utilize an o-ring seal. To remove tubing from the fittings, relieve water pressure, push in on gray collar while pulling on the tubing. To insert tubing, push tube straight into fitting until it reaches a positive stop, approximately 3/4".



OPERATION OF QUICK CONNECT FITTINGS



ECH8*1N ECH8*2N ECH8*3N

115V ITEMIZED PARTS LIST

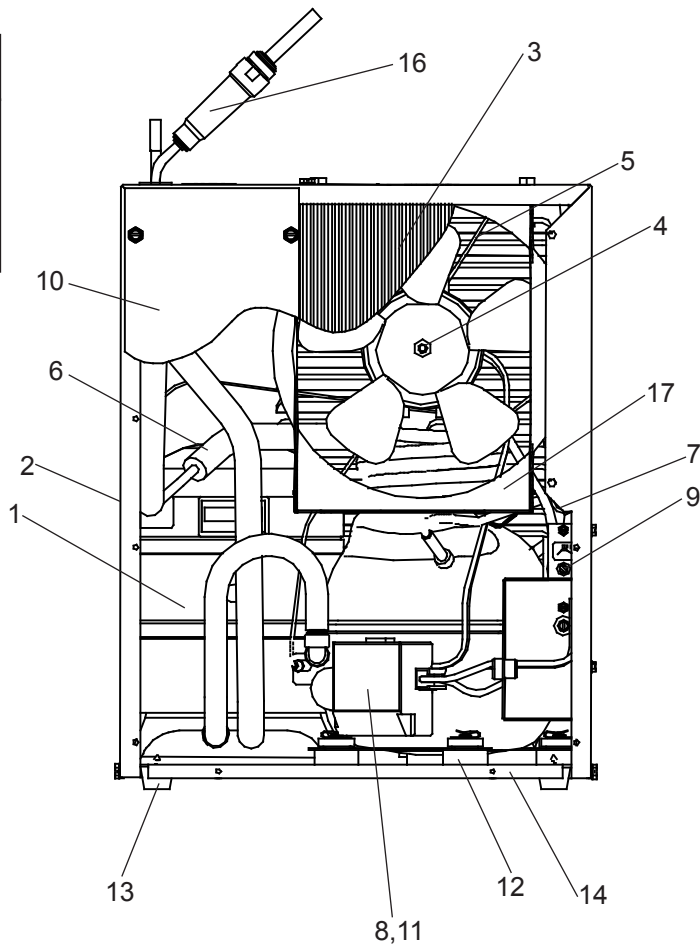
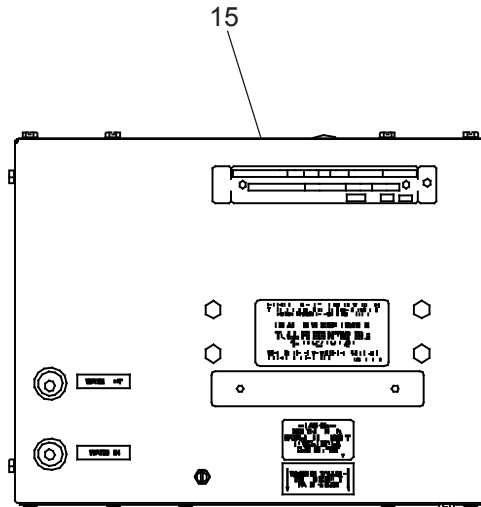
| ITEM NO. | PART NO. | DESCRIPTION |
|----------|------------|--------------------------------|
| 1 | 98724C | KIT - EVAP REPLACE ASSY |
| 2 | 28478C | CABINET |
| 3 | 98776C | KIT - CONDENSER/DRIER |
| 4 | 98775C | KIT - FAN MTR/BLADE/NUT/SHROUD |
| 5 | 20282C | BRACKET - FAN MOUNTING |
| 6 | 98778C | KIT - HEAT EXCHANGER/DRIER |
| 7 | 66703C | DRIER |
| *8 | 36322C | COMPRESSOR SERVICE PAK |
| 9 | 98773C | KIT - COLD CONTROL/SCREWS |
| 10 | 28477C | PANEL - FRONT |
| 11 | 0000000238 | KIT - ELECT/RELAY/COVER/OL |
| 12 | 98777C | KIT - COMPRESSOR MTG HDWE |
| 13 | 50930C | BUMPER |
| 14 | 27303C | BASEPLATE |
| 15 | 22300C | PANEL - REAR |
| 16 | 55996C | IN-LINE STRAINER |

***INCLUDES RELAY & OVERLOAD. IF UNDER WARRANTY, REPLACE WITH SAME COMPRESSOR USED IN ORIGINAL ASSEMBLY.**

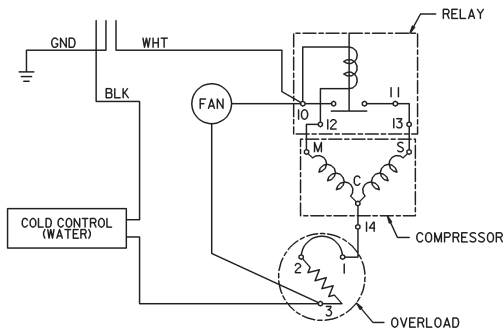
NOTE: All correspondence pertaining to any of the above water cooler or orders for repair parts MUST include model number and serial number of cooler, name and part number of replacement part.

220V - 50/60HZ ITEMIZED PARTS LIST

| ITEM NO. | PART NO. | DESCRIPTION |
|----------|------------|--|
| 4 | 0000000244 | KIT - FAN MTR/BLADE/NUT/SHROUD (50 HZ) |
| | 0000000245 | KIT - FAN MTR/BLADE/NUT/W/O SHRD (60 HZ) |
| *8 | 1000002147 | COMP. SERVICE PAK (50 HZ) |
| | 1000002146 | COMP. SERVICE PAK (60 HZ) |
| 11 | 98751C | KIT - ELECT/RELAY/COVER/OL (50 HZ) |
| | 98752C | KIT - ELECT/RELAY/COVER/OL (60 HZ) |
| 17 | 56237C | SHROUD |



WIRING DIAGRAM



REPAIR SERVICE INFORMATION TOLL FREE NUMBER 1.800.260.6640

FOR PARTS, CONTACT YOUR LOCAL DISTRIBUTOR OR CALL 1.800.834.4816

ELKAY MANUFACTURING COMPANY • 2222 CAMDEN COURT • OAK BROOK, IL 60523 • 630.574.8484

PRINTED IN U.S.A.