



- One piece chrome plated WashBar™ includes touch-free soap, water, and hand dryer
- WashBar technology intuitively guides user and eliminates simultaneous activations
- Basin and drain engineered to evacuate water and dissipate air flow
- Single piece molded basin eliminates caulk lines and seams
- WashBar and basin system comes complete with mounting, access panel, drain assembly, and plumbing connections



Specifications

The Verge LVQD1 Wash Basin is 30" in length and is designed to accommodate one user at a time with standard lavatory spacing positioned on 30" centers. The single piece All-in-One WashBar allows users to access soap, water, and a hand dryer without leaving the hand washing station. The unit handles washroom traffic quickly and economically, while providing each user with personal space.

Construction

Basin

The basin has been designed to direct water to a trench drain and features a 300 series stainless steel drain cap. The basin and drain cap work together to evacuate water and dissipate airflow to prevent splashing on the user or floor. The basin is constructed of Evero Geo Series, a natural quartz surface made from a blend of bio-based resin, natural quartz, granite, and other exotic minerals. It is made of 25% recycled content. Evero Pearl Series is a natural quartz surface made with bio-based resin, sea shells, recycled glass, and natural quartz. It is made of 70% recycled content. Basin is available in all Evero colors.



Variations in the natural stone color, pattern, size, shape, and shade are inherent. Due to these unique characteristics, please expect subtle shade variations when units are installed adjacent to each other.

WashBar

All-in-One, chrome-plated cast metal WashBar includes touch-free soap, water, and hand dryer. Load tested to 500 pounds, the WashBar is secured to the basin with two anti-rotational shanks. Blue LED lights help guide the user to the WashBar, indicating the three functions. The LED light will change from blue to green to signify that the function is in use. Each function is easily identified by the corresponding icon on the WashBar's top surface.

Sensors are programmed to eliminate simultaneous activations of nearby functions. Each sensor includes a turn-off delay of 1-2 seconds to aid in a smooth, controlled hand-washing and drying operation. WashBar sensors are not affected by varying skin tones or darkness. Smart technology allows the facilities manager or maintenance staff to clean and configure with ease.

Cleaning Mode

WashBar has an activation feature to put the unit into cleaning mode to allow for easy cleaning of the WashBar and basin without activating the functions.

Configuration Mode

The WashBar also has a configuration mode to identify how many cycles are on the soap, faucet, and dryer. This mode also allows for dryer speed adjustment at low, medium, and high levels.

Soap Dispensers

The soap dispenser is located on the left side of the WashBar. This eliminates any soap from dripping on counters or onto the floor, minimizing slip hazards and allows for easy cleaning. Choose between a foam or liquid soap dispenser, which are compatible with most bulk soaps. Soap system accommodates up to a 1 gallon container to reduce the number of soap replacements. When the LED light above the soap function turns to solid red, simply check the level and replace the soap container with a full container if necessary. The soap system includes an adapter to fit many 1 gallon soap containers available on the market.

Please visit <https://www.bradleycorp.com/maintenance/soap-dispensers> for soap recommendations.

Faucet

Faucet is located in the center of the WashBar and has a spray angle of approximately 17 degrees off the vertical. Choose either a 0.5 gpm or 0.35 gpm PCA silicone tip, non-aerated spray pattern. Maximum run time is 11 seconds. The 0.5 gpm aerator option is the equivalent to 0.25 gpc and the 0.35 gpm aerator option is the equivalent to 0.18 gpc. Automatic 5 second purge within 24 hours of the last use. Recommended operating range is 20-80 psi.

Dryer

The hand dryer is located on the right side of the WashBar, allowing users to dry their hands immediately after washing. This virtually eliminates excess water on the floor. The dryer motor provides heated air at three speeds, high-medium-low, which can be field adjusted by placing the WashBar in configuration mode. The single sided dryer will dry hands in approximately 15 seconds depending on user preference. The decibel range with hands in air stream is 76 dB (high speed) to 64 dB (low speed). The dryer motor, located behind the access panel, is cCSAus listed.

Electrical

Total rated power of each WashBar station is 1200W. Each WashBar is powered by one 12V DC adapter that plugs directly into its dryer or the electrical outlet. The WashBar and dryer motor require a properly grounded dedicated 20A circuit, 120V outlet. One duplex outlet is required per station to power the WashBar and dryer.



This plumbing fixture is designed for hand washing only. It is not intended to dispense water for human consumption through drinking or for preparation of food or beverages.



Verge® with WashBar™ Technology – LVQ-Series

LVQD1

Access Panel

Minimalistic panel is composed of decorative 300 series stainless steel or black, powder-coated stainless steel. Plumbing components, dryer motor, and soap tank are concealed within the panel. Select the enclosed bottom access panel for vandal-prone applications. The new swing down access panel is designed to ease the maintenance process by eliminating tools and only requires one person for installation. Top edge of the access panel has been hemmed to reduce sharpness.

Support Bracket

Bracket design allows for flexible stud or wall blocking anchor locations. Eliminates the need for in-wall carriers and frame. System is IAPMO certified to meet or exceed ANSI load requirements.

Strainer and Drain Assembly System

Strainer and drain assembly system comes complete with 300 series stainless steel trench drain cap, tailpiece, and polypropylene P-trap. Optional chrome plated P-trap available. The multi-station system is configured with one drain and one set of supplies to reduce the cost associated with individual drains and supplies.

Mounting Heights

Standard Height Mounting

The standard height hand washing stations are to be mounted with a 33-1/2" rim height to comply with ADA/TAS reaches and clearances.

Juvenile Height Mounting

The juvenile height hand washing stations are designed to be mounted at 30-1/2" rim height to comply with ADA/TAS reaches and clearances.

Product Compliance

ANSI Standards

Evero Natural Quartz Surface meets the requirements of CSA B45.5/IAPMO Z124.

cUPC Approval

Verge Lavatory is Uniform Plumbing Code (UPC), International Plumbing Code (IPC), and National Plumbing Code of Canada (NPC) approved through the International Association of Plumbing and Mechanical Officials (IAPMO). Manufactured in compliance with IGC 127-2014 Combined Hand Washing Systems, IGC 156, CSA B45 Series (R08), & ASME A112.18.1/CSA B125.1.

Electrical

Dryer assembly is 3rd party certified to UL 499, 14th Ed. and CAN/CSA C22.2 Np. 36-08 (R2012)



Standard product selections contained within this document are third party **CERTIFIED** to NSF/ANSI 372 meeting the Lead-Free content requirement. Any product configured with custom options will be **COMPLIANT** with NSF/ANSI 372 meeting the Lead-Free content requirement.



Models (Must select one)

- | Model | Description |
|--------------------------------|---|
| <input type="checkbox"/> LVQD1 | Verge with WashBar Technology – LVQ-Series, One-Station |

Standard Selections (Must select one from each category)

WashBar Type (select one)

- | | |
|------------------------------|---|
| <input type="checkbox"/> WB1 | Chrome-Plated WashBar with Infrared Control |
|------------------------------|---|

Aerator Type (select one)

- | | |
|----------------------------|--|
| <input type="checkbox"/> 3 | 0.35 gpm PCA Silicone Tip, Non-Aerated |
| <input type="checkbox"/> 5 | 0.50 gpm PCA Silicone Tip, Non-Aerated |

Water Supply Type (select one)

- | | |
|----------------------------|---|
| <input type="checkbox"/> T | Navigator® Thermostatic Mixing Assembly w/Stops and Hot and Cold Supply Hoses |
| <input type="checkbox"/> L | Single Tempered Line Assembly (Supply Hoses and Shut-Offs included) |

Soap Type (select one)

- | | |
|----------------------------|---|
| <input type="checkbox"/> F | Foam Soap Dispenser - 1 gallon soap container by others |
| <input type="checkbox"/> L | Liquid Soap Dispenser - 1 gallon soap container by others |

Hand Dryer Type (select one)

- | | |
|------------------------------|-------------------------|
| <input type="checkbox"/> HD1 | DC Motor 120V/60Hz, 20A |
|------------------------------|-------------------------|

Trench Drain Cap Type (select one)

- | | |
|------------------------------|----------------------------------|
| <input type="checkbox"/> DR1 | Stainless Steel Trench Drain Cap |
|------------------------------|----------------------------------|

Color of Evero® Basin (select one)

Geo Series

- | | | | | | |
|-------------------------------------|------------|------------------------------------|-------------|----------------------------------|--------------|
| <input type="checkbox"/> ANDORRA | Andorra | <input type="checkbox"/> GLACIER | Glacier Bay | <input type="checkbox"/> RAINIER | Rainier |
| <input type="checkbox"/> ANTARCTICA | Antarctica | <input type="checkbox"/> KALAHARI | Kalahari | <input type="checkbox"/> SIENA | Sienna |
| <input type="checkbox"/> ARUBA | Aruba | <input type="checkbox"/> MOJAVE | Mojave | <input type="checkbox"/> SIERRA | Sierra Madre |
| <input type="checkbox"/> BLACK-SEA | Black Sea | <input type="checkbox"/> MYKONOS | Mykonos | <input type="checkbox"/> YUKON | Yukon |
| <input type="checkbox"/> DENALI | Denali | <input type="checkbox"/> PATAGONIA | Patagonia | | |

Pearl Series (available at an additional charge) (Non-cancelable, non-returnable)

- | | | | |
|--------------------------------|-------|-------------------------------------|------------|
| <input type="checkbox"/> AKOYA | Akoya | <input type="checkbox"/> BLACK-MOON | Black Moon |
|--------------------------------|-------|-------------------------------------|------------|

Access Panel Type (select one)

- | | |
|----------------------------------|--|
| <input type="checkbox"/> STAIN | Swing Down Stainless Steel |
| <input type="checkbox"/> STAIN-E | Swing Down Stainless Steel w/Enclosed Bottom |
| <input type="checkbox"/> PWD | Swing Down Matte Black Powder-Coated Stainless Steel |
| <input type="checkbox"/> PWD-E | Swing Down Matte Black Powder-Coated Stainless Steel w/Enclosed Bottom |

Access Panel Fastener Type (select one)

- | | |
|-----------------------------|------------------------|
| <input type="checkbox"/> TS | Thumb Screw |
| <input type="checkbox"/> VS | Vandal Resistant Screw |
| <input type="checkbox"/> CL | Cam Lock |

Waste Assembly Type (select one)

- | | |
|-----------------------------------|-----------------------------|
| <input type="checkbox"/> S-POLY | Single Polypropylene P-Trap |
| <input type="checkbox"/> S-CHROME | Single Chrome Plated P-Trap |

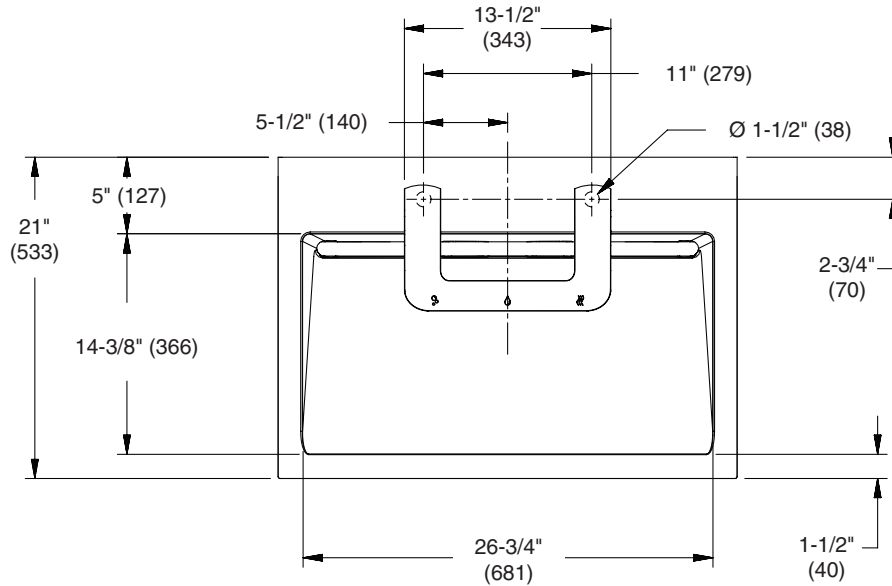


LVQD1 Verge® with WashBar™ Technology – LVQ-Series

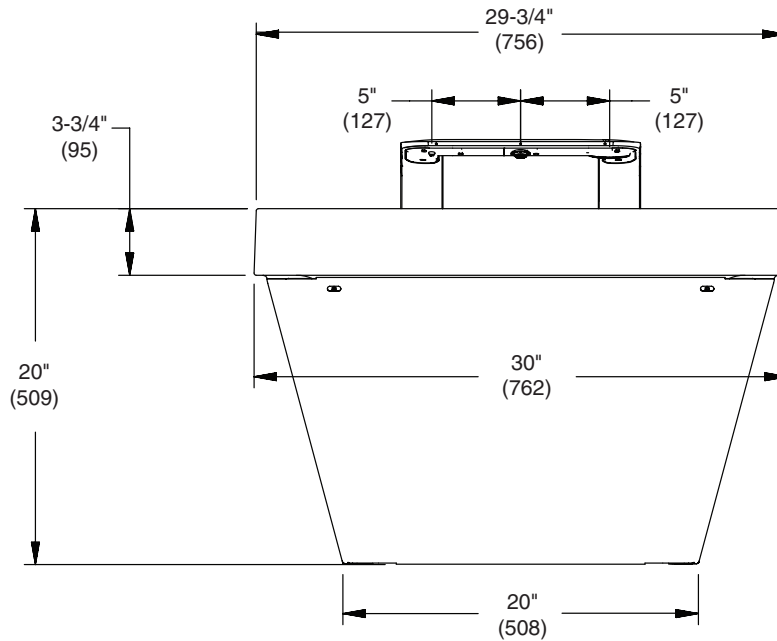
Dimensions for LVQD1 Wash Basin

(mm)

Top View



Front View





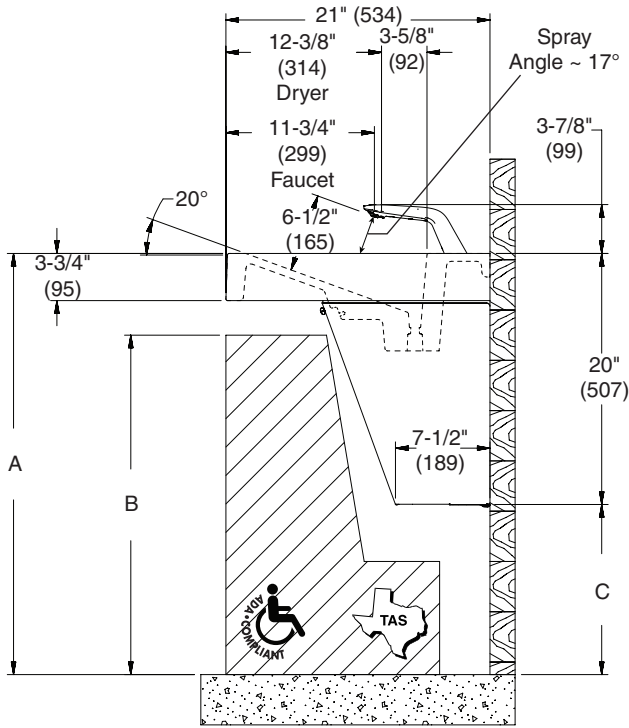
LVQD1

Verge® with WashBar™ Technology – LVQ-Series

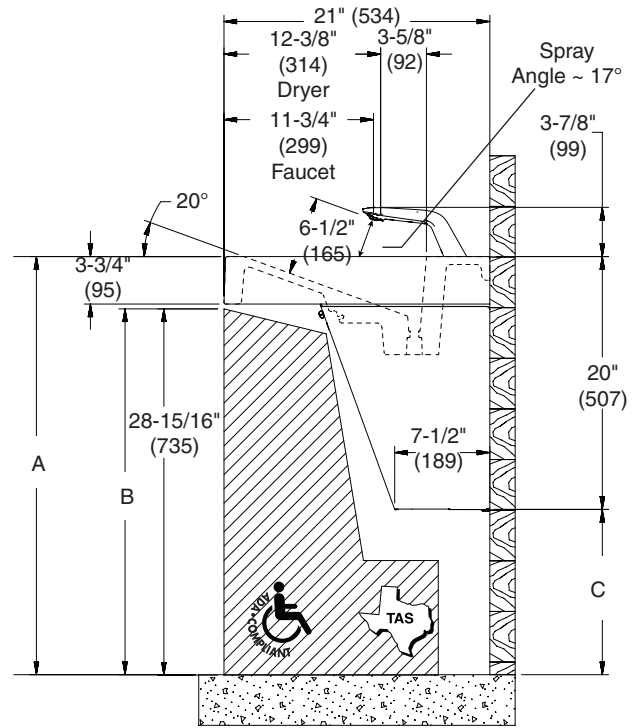
Dimensions for LVQD1 Wash Basin

(mm)

Side View



Side View - Canadian Standards



	ADA/TAS Standard Height	ADA/TAS Juvenile Height (Children 6-12 years)
Dim A	33-1/2" (851mm)	30-1/2" (775mm)
Dim B	27" (686mm)	24" (610mm)
Dim C	13-1/2" (343mm)	10-1/2" (267mm)

	CSA Standard Height
Dim A	33-1/2" (851mm)
Dim B	29-29/32" (760mm)
Dim C	13-1/2" (536mm)



LVQD1

Verge® with WashBar™ Technology – LVQ-Series

Structural Rough-Ins for LVQD1 Wash Basin

(mm)

⚠ WARNING Ensure bowl is completely seated in the wall bracket and securely fastened to the wall at point A.

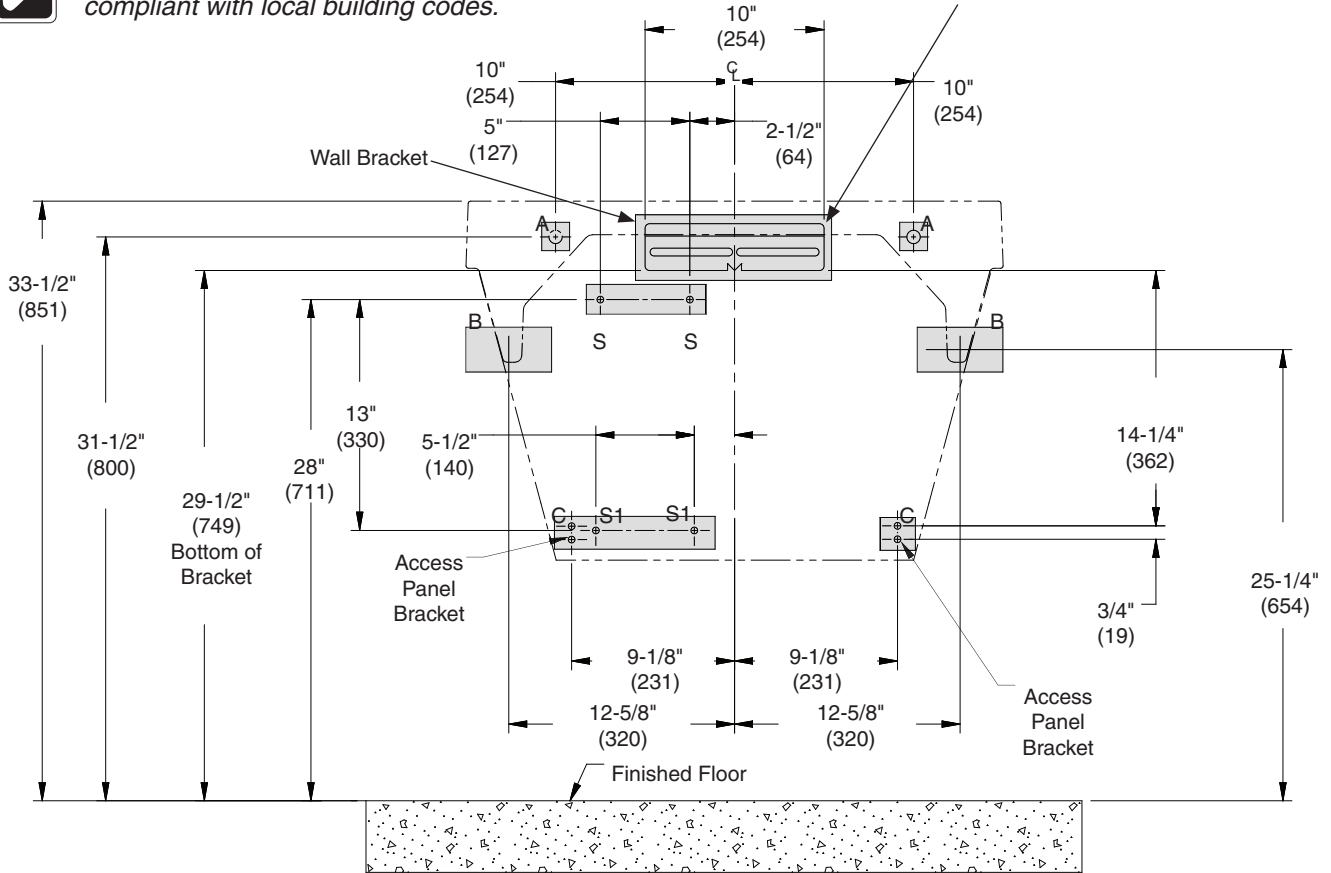
Secure bracket to wall using min. 3/8" anchor bolt to the left of C/L and min. 3/8" anchor bolt to the right of C/L. The anchor bolt to the right of C/L must be min. 5" apart from the anchor bolt to the left of C/L. When mounting is complete, check to ensure the bracket is level. See Step 1: Bracket Mounting for more information.



Mounting for Standard, ADA, and TAS height shown.



Points A, B, and C require sufficient backing compliant with local building codes.



CODE	DESCRIPTION	QTY.
A	Install (1) 3/8" wall anchor with a minimum pull-out force of 1,000 lb. per local codes at locations shown.	2
B	Provide structural backing compliant with local building codes.	2
C	Install wall anchor with a minimum pull-out force of 100 lb. per local codes at locations shown.	4
S	#10 Wall Anchors for Soap Control Box Bracket	2
S1	#10 Wall Anchors for Soap Tank Bracket (100 lb pull out)	2

RIM HEIGHT	VERTICAL HEIGHT ADJUSTMENTS	FIXTURE STYLE
33½"	No Adjustment	Standard Height, ADA, TAS, and CSA
30½"	Subtract 3"	Juvenile, ADA, and TAS



Verge® with WashBar™ Technology – LVQ-Series

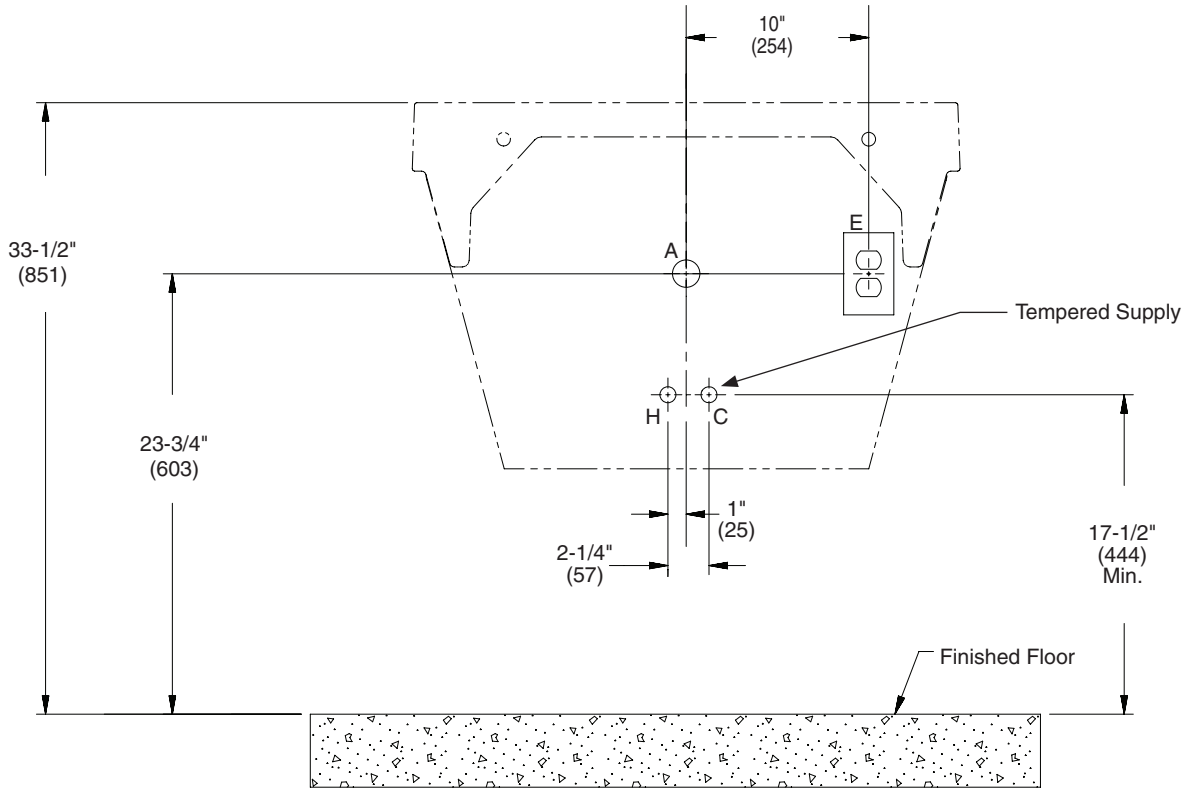
LVQD1

Plumbing and Electrical Rough-Ins for LVQD1 Wash Basin

(mm)



Mounting for Standard, ADA, and TAS height shown.



CODE	DESCRIPTION	QTY.
A	1 1/2" NPT Drain, Stub-out 2" from wall	1
H,C	1/2" Nominal (5/8" O.D. Comp.) Hot/Cold supplies, Stub-out 2" from wall	1
E	110V GFI protected electrical outlet (20 amp circuit)	1