

D|COR – DESIGNED TO FORM INTEGRATED SINK SYSTEM

INSTALLATION INSTRUCTIONS



IMPORTANT

Read this entire installation manual to ensure proper installation. When finished with the installation, file this manual with the property owner or maintenance department.

Compliance and conformity to local codes and ordinances is the responsibility of the owner and/ or installers.

Separate parts from packaging and make sure all parts are accounted for before discarding any packaging material. If any parts are missing, do not begin installation until all parts are obtained.

Make sure that all water supply lines have been flushed and completely turned off before starting the installation. Debris in supply lines can cause electronic faucet valves to malfunction.

Turn off electrical power to the electrical outlets. Electrical power **MUST** remain off until installation is complete.

Installer's hardware must be appropriate for wall construction. Wall anchors and mounting fasteners **MUST** have a minimum pull-out rating of 1,000 lbs.

For standard height mounting, **DO NOT** exceed the recommended 34 inch distance from the top of the sink deck to the finished floor. To meet ADA requirements the sink deck cannot exceed the 34-inch maximum height dimension.

CAUTION:

1. Adequate structural support in or behind the wall is required. Refer to the appropriate rough-in.
2. All electrical wiring is to be installed in accordance with national/local codes and regulations.
3. Electrical outlets should be installed prior to installation.
4. All plumbing should be installed in accordance with applicable codes and regulations.
5. Before connecting flex hoses to supply stops, flush all water lines until water is clear.
6. Recommended to have Control Stops on water supply lines in place prior to installation.

SINK LOCATION

Determine the appropriate wall location for the Lavatory System. Consider that hot and cold water supply lines, a drain line, and an electrical source (receptacle for hardwired faucets and hand dryer) will be required. Compare the physical dimensions of the Lavatory System to the space available for the installation. If wall is not load-bearing, a carrier may be required behind the wall. Refer to the appropriate rough-in diagrams for Lavatory System dimensions. Prior to Lavatory System installation, electric wiring, water supply and drain must be installed.

SUPPLIES AND TOOLS REQUIRED

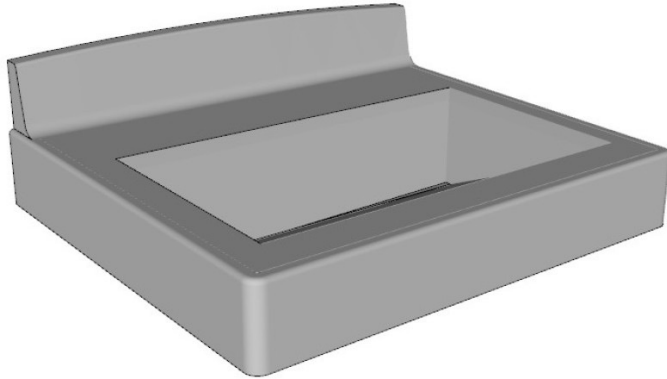
1 – 110 volt 20 amp GFCI-protected electrical outlet for 100–120 VAC plug-in transformers only

- Drill
- Crescent or Pipe wrench
- Tape Measure
- Phillips screwdriver
- Flat head screwdriver
- Level
- 8mm Hex Wrench

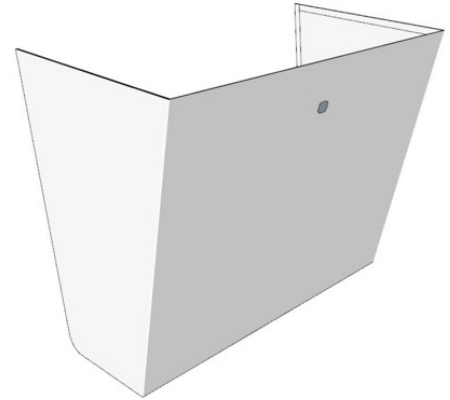


ONE STATION, 2 FIXTURE SOLID SURFACE INTEGRATED SINK SYSTEM

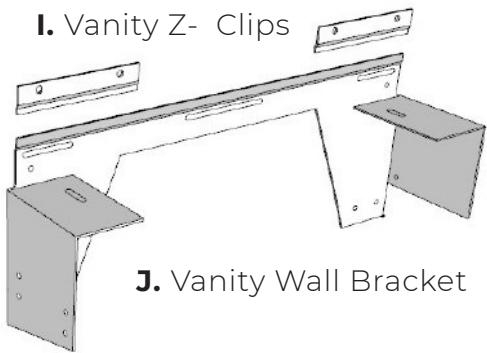
COMPONENTS



A. Integrated Gradient Sink

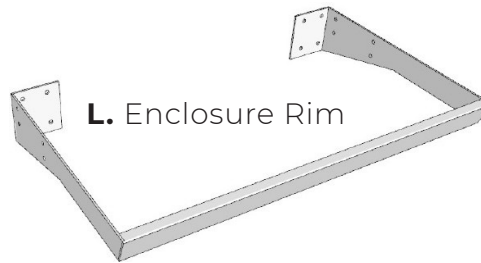


M. Formed Steel Enclosure

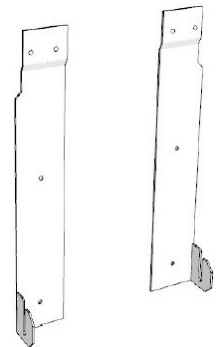


I. Vanity Z- Clips

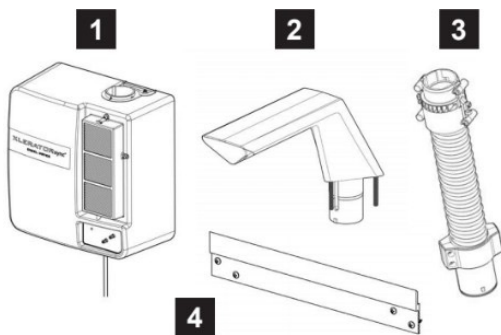
J. Vanity Wall Bracket



L. Enclosure Rim

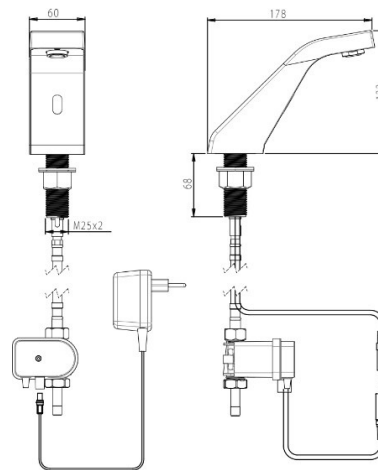


K. Enclosure Socket Legs, 1LH, 1RH



V. XLERATORsync Hand Dryer nozzle and motor unit

1. Dryer Box Assembly
2. Deck Up Nozzle Assembly
3. Hose Assembly
4. Z-Bracket



Y. Condor 1010E Electronic Sensor Faucet



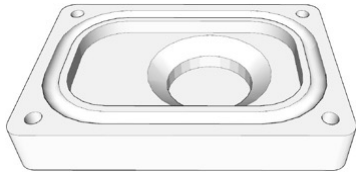
Fa. #366A OS&B-Drain Body



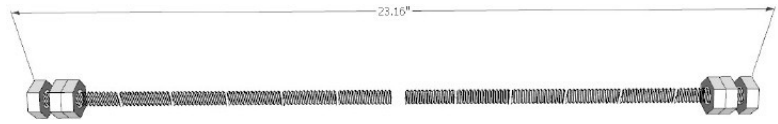
Fb. #3831-4CP 4" Threaded tube

ONE STATION, 2 FIXTURE SOLID SURFACE INTEGRATED SINK SYSTEM

COMPONENTS



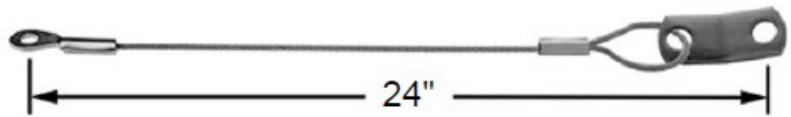
E. Vanity Bowl Drain Block



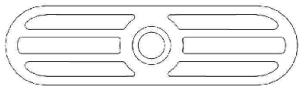
T. Threaded Rod, 1/4-20 x 23.16"



G. EPDM O-Ring – *pre-installed in Drain Block (above)



Q. Eye to tab Lanyard, steel 1/16" dia, 24" long



B. Drain Grate



D. Spanner Insert Bit



C. Security Machine Screw



X. Sheet metal screws, self-tapping, Phillips pan head, steel, #14 X 2-1/2"



H. Machine Screw, Phillips, Truss Head, Stainless Steel, 18-8, 1/4-20 x 1-1/4"



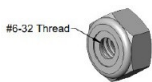
N. Machine Screws, Phillips, Truss Head, Stainless, 18-8 x 1/4-20 X 5/8"



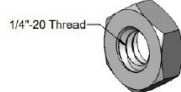
R. Machine screws, Phillips, pan head, Stainless, 18-8, #6/32 x 3/8"



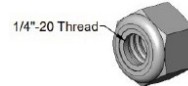
O. Machine screws, Combo, Sidewalk bolt, stainless, 18-8, 1/4-20 x 1/2"



S. Hex nylon insert lock nuts, stainless 18-8, #6/32"



N. Hex jam nuts, Stainless 18-8, 1/4-20, for threaded rod. *pre-installed on Threaded Rod



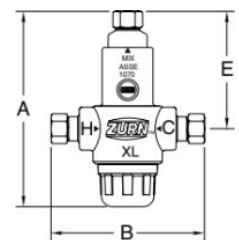
P. Hex nylon insert lock nuts, stainless, 18-8, 1/4-20



W. Sheet metal screws, self-tapping, Phillips pan head, steel, #12 X 1-1/2"



AA. Southco Cam Latch and Cam Lock

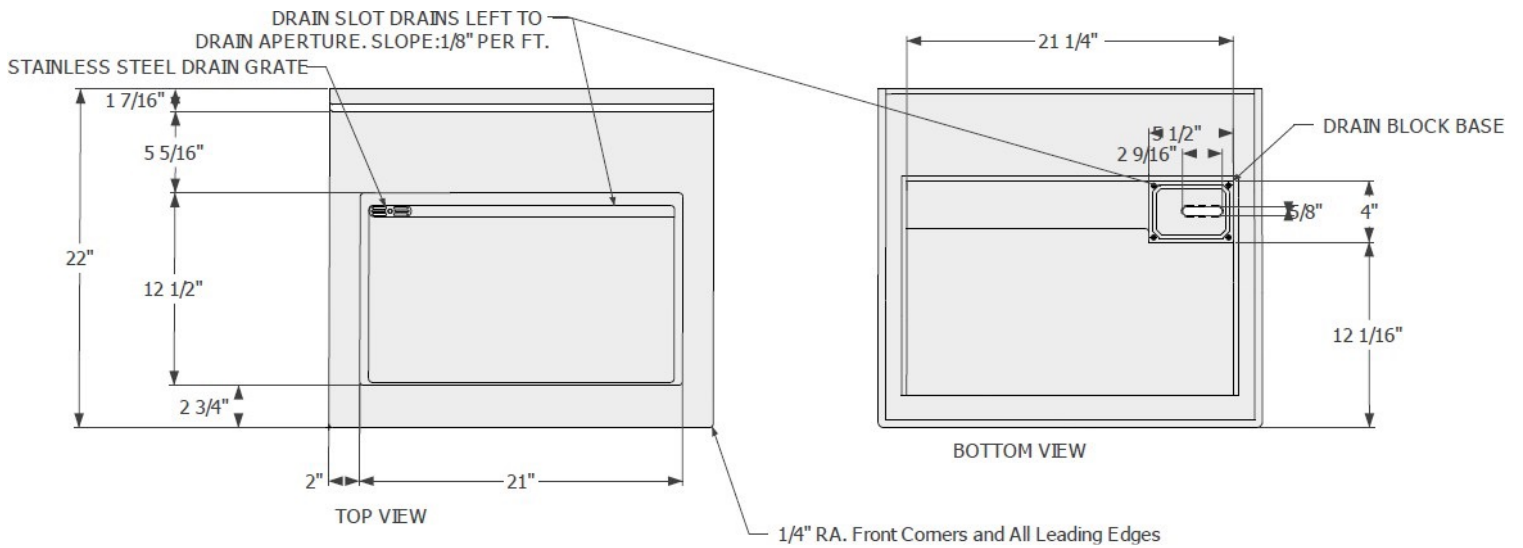
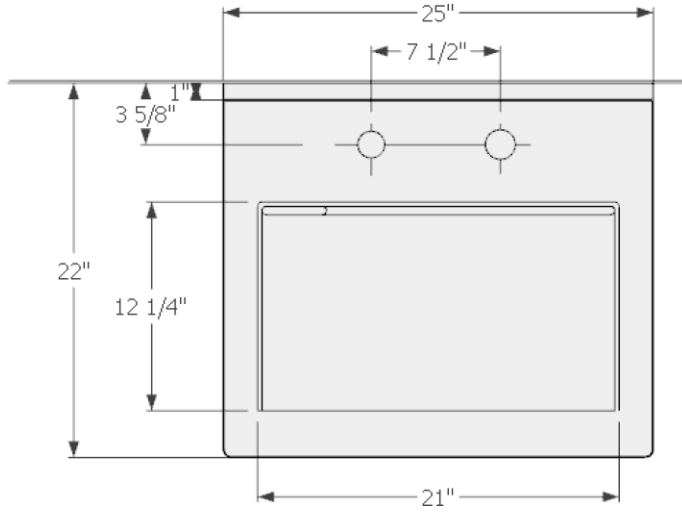


ZW3870XLT

Z. Zurn Thermostatic Mixing Valve mdl #ZW3870XLT (or similar)

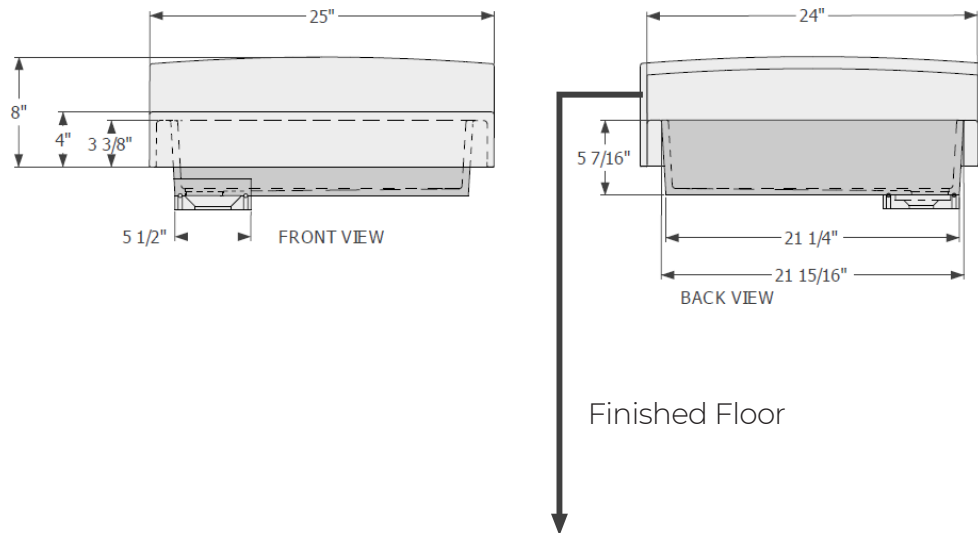
SINK SPECS

PLAN VIEW

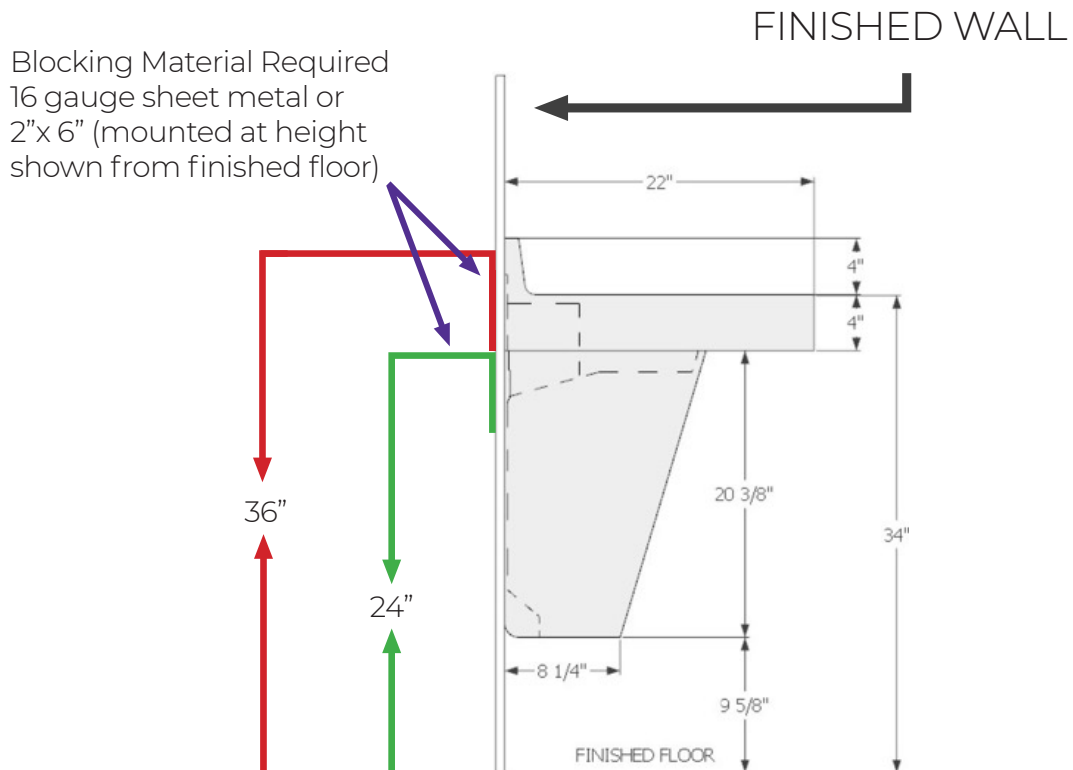


SINK SPECS

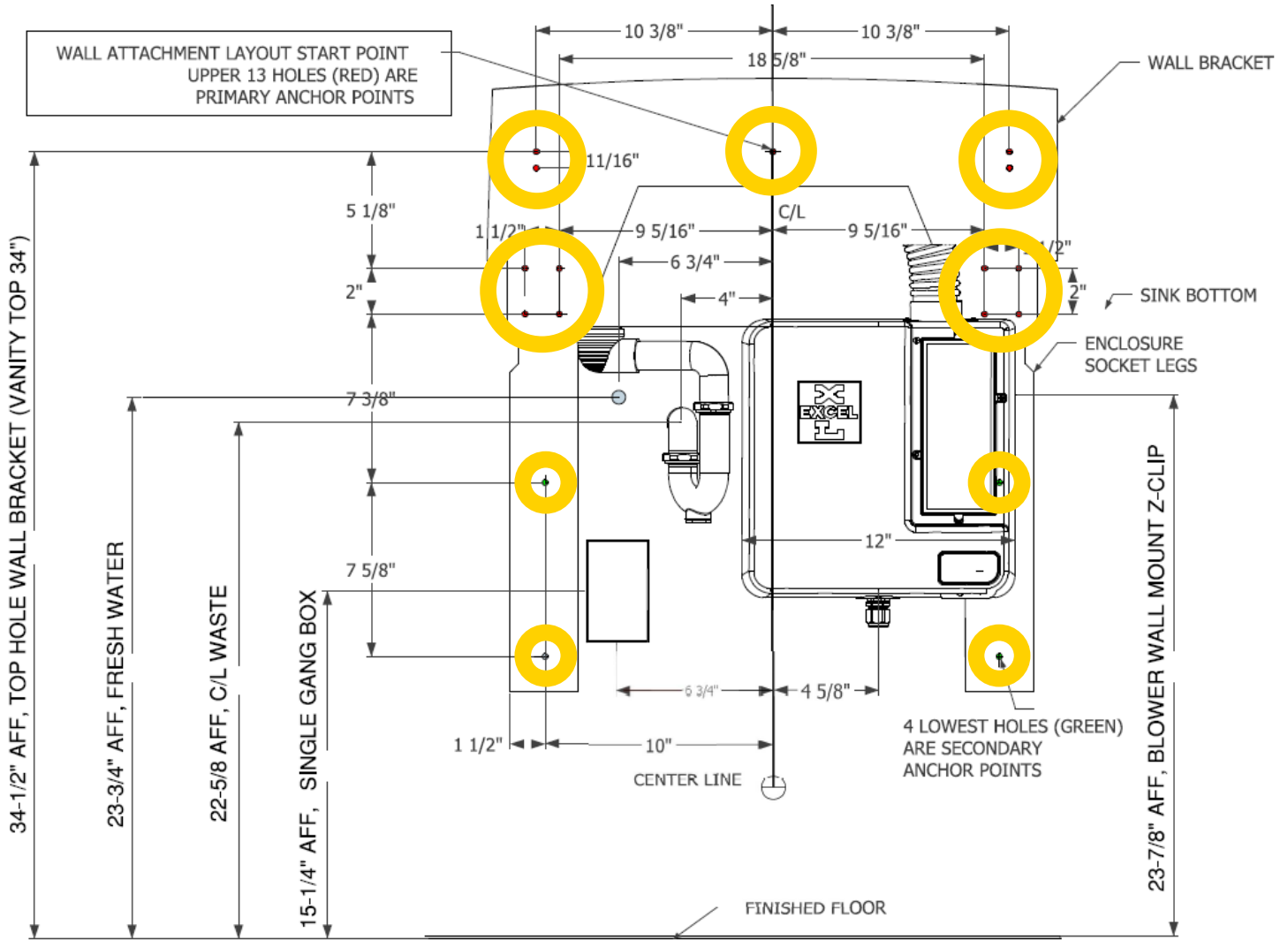
ELEVATION VIEW



SECTION VIEW



SINK SPECS CONTINUED MOUNTING LOCATIONS



Notes:

1. Due to manufacturer tolerances, all dimensions are for reference only.
2. Integral top and bowl must be shimmed to wall to ensure proper leveling and straightness.

STRUCTURAL ROUGH-INS; WALL BRACKET AND ENCLOSURE MOUNTING

16 gauge sheet metal
or 2" x 6" wood (x2)

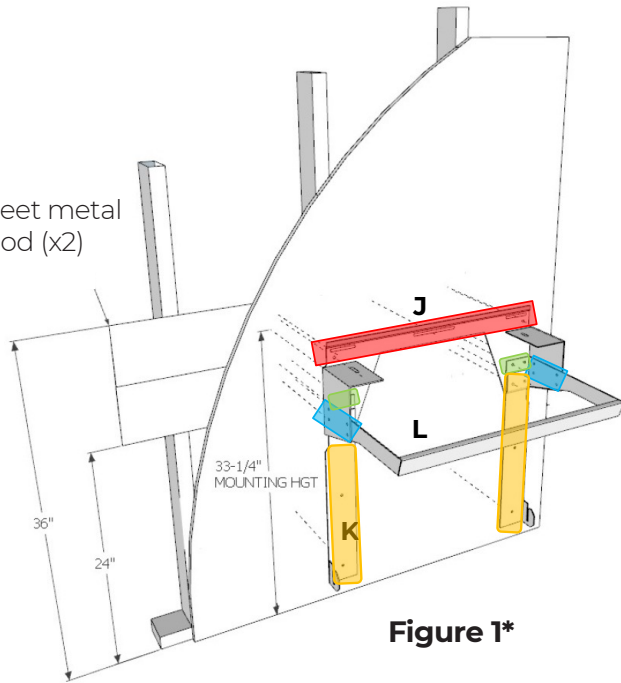


Figure 1*

***Please refer to page 5: mounting locations**

1. Mount Wall Bracket (**J**) at the height shown – 33 ¼" above the finished floor to the horizontal ledge (or reference page 5 top hole bracket measurement of 34 ½"). Ensure the wall plate is level. Install wall fasteners (**X**) in the 5 holes and slots above the ledge.
2. Fasten Enclosure Rim (**L**) to the Wall Bracket (**J**) using 8-¼-20 sidewalk bolts (**O**) and 8-¼-20 nylon insert lock nuts (**P**).
3. Fasten the top 4 holes of the Enclosure Rim through the Wall Bracket into the wall with appropriate fasteners (**X**).
4. Attach left & right Socket Legs (**K**) with the tabs to the outside. Place them over the Wall Bracket & Enclosure Rim brackets. Fasten each Leg to the wall with one fastener (**X**) in the outside top hole, leaving it slightly loose. Using a small level, plumb each leg and fasten the second top wall fastener, leaving it slightly loose.
 - A. With both legs (**K**) loosely attached, confirm the key dimension of 22-13/16" from outside of left tab to outside of right tab moving the legs inward on both sides to reach that dimension.
 - B. Proceed to add a third fastener (**W**) through the lowest leg hole of each leg. Then fully secure legs by tightening all 6 wall fasteners.

Note: (Use threaded rod (**T**) with pre-installed/measured Hex Nuts (**U**) as a spacer).

5. Mount threaded rod (**T**) into leg socket tabs.

Note: 4 Hex Nuts (**U**), 2 on each end will be pre-installed, adjust to the correct spacing at 22 5/8".

- A. Tighten the final 2- ¼"-20 Hex nuts (**U**), also **pre-installed** onto each end of the rod. Tighten the 2 inner nuts firmly against the inside of each tab so the rod is firmly in place and does not slide up and down.

Notes:

1. Due to manufacturer tolerances, all dimensions are for reference only.
2. Integral top and bowl must be shimmed to wall to ensure proper leveling and straightness.

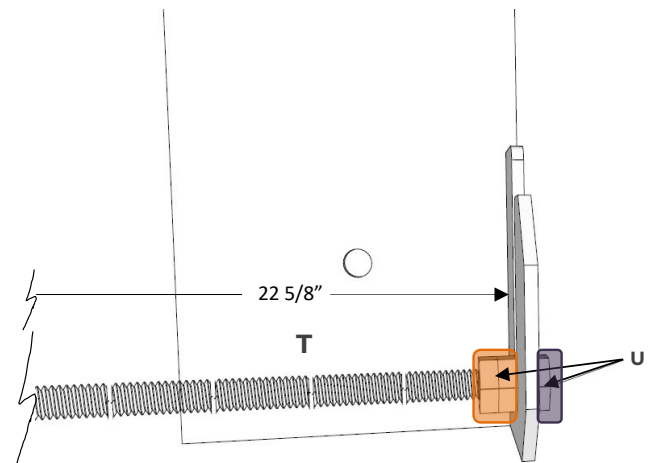


Figure 2

WALL BRACKET AND ENCLOSURE INSTALLATION CONTINUED

6. Slip the Enclosure (**M**) into its final position, a slot on the rear underside of the Enclosure bottom will slide over the Threaded Rod (**T**). It may be wise to trial fit the Enclosure to ensure it will slip into place.

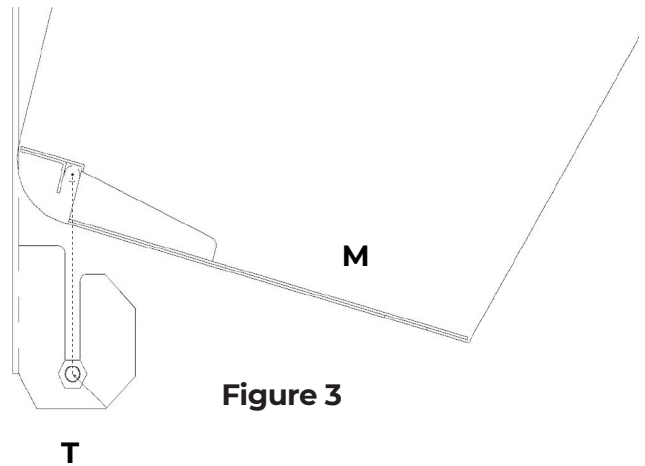


Figure 3

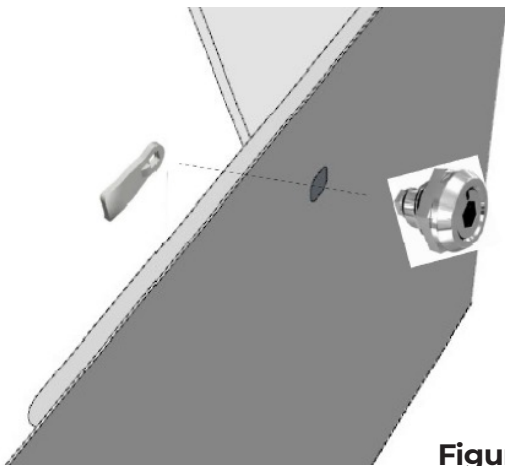


Figure 4

7. Install the Cam lock (**AA**) through the pre-cut keyhole in the Enclosure face and tighten the lock ring. Attach the cam onto the back of the lock so that when the lock is open, the cam is positioned horizontally to the left. An 8mm Hex Allen wrench is used as the key to open the lock. (**Provided**)

8. After the enclosure is in place on the threaded rod, attach the Eye end of the eye to tab lanyards (**Q**) to the top of the steel enclosure (**M**) pointing inward using 6/32 Phillips Machine Screws (**R**) and 6/32 Lock Nuts (**S**).

A. Pivot enclosure upwards into place. Use 8mm hex wrench to lock and unlock making sure the cam lock engages with the Enclosure Rim.

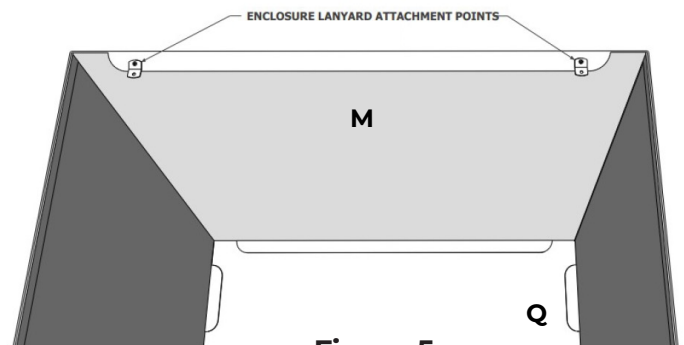
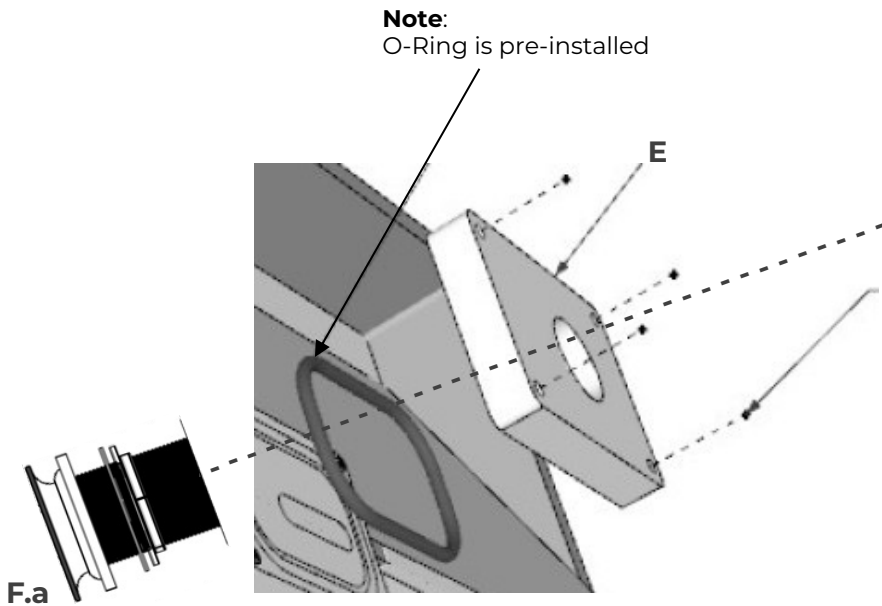


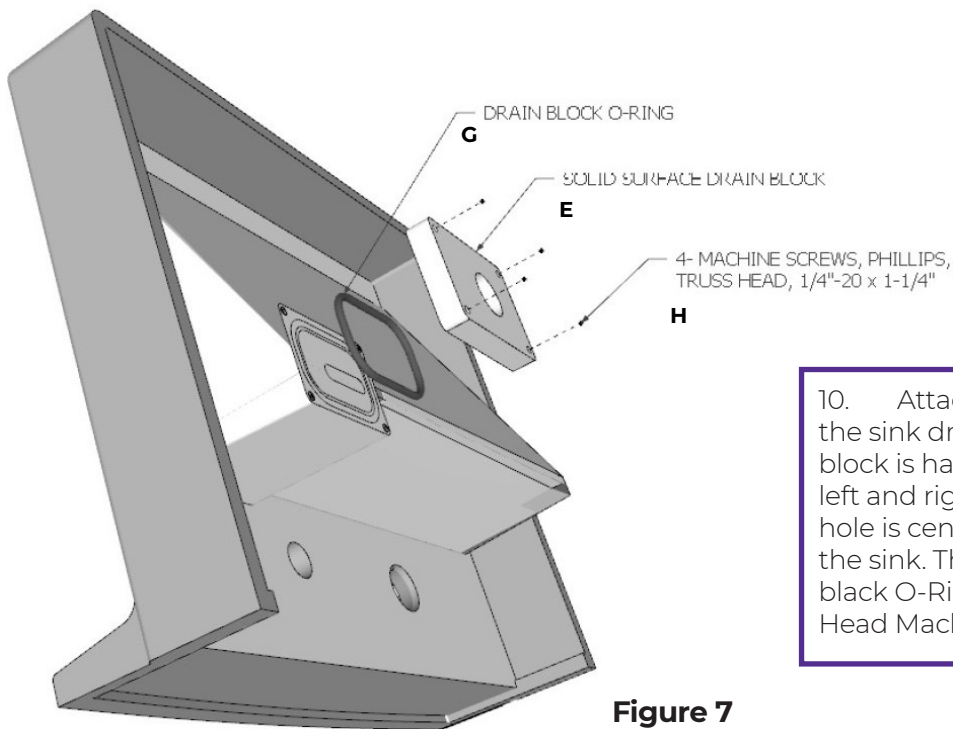
Figure 5

DRAIN AND DRAIN BLOCK INSTALLATION



9. Slide the drain body (**F.a**) through the drain block (**E**) and hand tighten. Once vanity is secured to wall brackets finish installing tailpiece (**F.b**). Tighten all components.

Figure 6



10. Attach the Drain Block assembly (**E**) to the sink drain underside. Because the drain block is handed (meaning there is a specific left and right), it is important to ensure the drain hole is centered directly under the drain slot in the sink. The Drain block assembly includes a black O-Ring (**G**) and 4- 1/4" x 20 x 1-1/4" Truss Head Machine Screws (**H**).

Figure 7

FAUCET AND HAND DRYER INSTALLATION

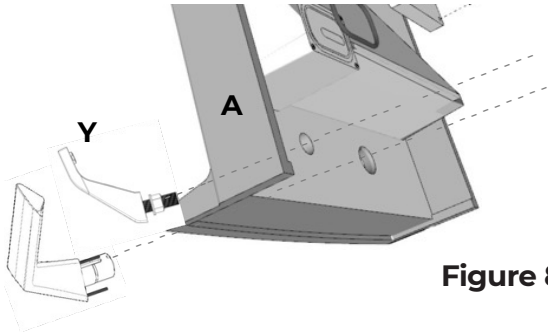


Figure 8

11. Prepare Integral Vanity top (A) with plumbing fixtures through the predrilled faucet and hand dryer holes.

Note:

- For ease of deck installation, leave the deck lying on its back and install component spouts.
- Components shown for reference only.
- Install Faucet, Hand Dryer spouts.

Note:

Install Faucet and Dryer fixtures onto and under integral sink (i.e. Dryer Motor Unit, Thermostatic Mixing Valve, etc.) according to manufacturer's instructions provided with the component.

SINK / COUNTERTOP INSTALLATION

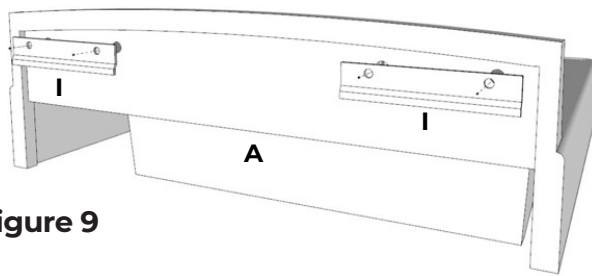


Figure 9

Note:

Z-clips are PRE-MOUNTED on the back of the Vanity top (A) backsplash using 4- 1/4"-20 x 5/8" Phillips truss head machine screws (R).

12. Set the Vanity top (A) onto the Vanity Wall Bracket (J), putting sufficient pressure back towards the wall and downward at the same time to ensure the backsplash Z-clips (I) engage fully onto the Z-shaped top edge of the wall bracket. From the underside, fasten the Vanity top (A) with 2- 1/4"-20 x 5/8" machine screws (N) through the Vanity Wall Bracket (J) ledge.

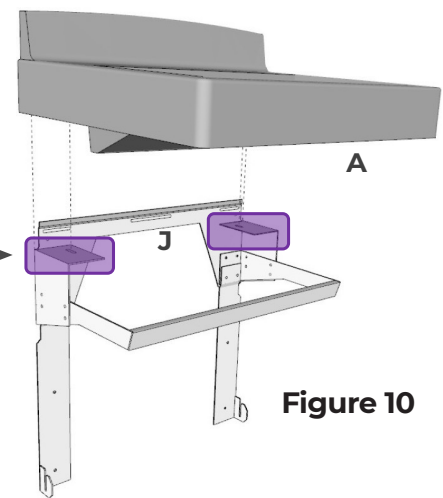
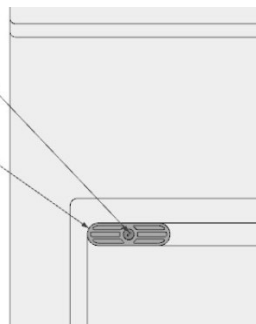


Figure 10

C FLAT HEAD SPANNER SCREW ATTACHMENT

B STAINLESS STEEL DRAIN GRATE

Figure 11



13. Inside the sink bowl, insert the drain grate (B) into the drain hole, making sure it is properly seated in the drain slot. Fasten grate to the center bridge of the drain below using the 2" flat Spanner Head security screw (C) and Spanner (D) insert bit provided.

Note:

A. Install all water connections and drain lines.

B. Plug in all electrical connections and test fixtures to make sure they function properly according to manufacturer guidelines.

INSTALLATION IS NOW COMPLETE.



GOOD DESIGN
SOLVES EVERYTHING



245 West Central Street, Natick, MA 01760 | Phone: 888-D13-SYNC (888-313-7962) | [D13group.com](https://www.D13group.com)

© 2023 D13 GROUP. All rights reserved.