

FILTER KIT

HWF172 WaterSentry® VII Kit (Lead, Chlorine, Taste & Odor, and Particulate Class I Reduction) FOR COMMERCIAL USE ONLY

IMPORTANT NOTE – To avoid danger of an electric shock hazard, disconnect power to your unit before installing or replacing the filter.



The WaterSentry® VII filter is tested and certified by NSF International to NSF/ANSI 42 and 53 for the reduction of Chlorine, Taste and Odor, Particulate Class I, and Lead.

These filter kits are designed to be used with various Water Cooler and Drinking Fountain models. (Note - For Bottle Filler models, use 55898C).

NOTICE: Do not use with water that is microbiologically unsafe or of unknown quality without adequate disinfection before or after the system.

General Installation Instructions

1. These filter kits must be installed in compliance with all state and local laws and regulations governing the installation and use of this product. Maximum inlet water temperature 100° F (38°C).
2. Mount filter head in a suitable location, using the filter mounting bracket and screws supplied. Allow enough room under the filter head for installation and removal of filter cartridge (13" minimum).
3. Connect the cold water supply to the filter through a shut-off valve and 3/8" O.D. tubing (supplied by the installer). For ease of servicing, the shut-off valve should be located within easy reach of the filter.

NOTE: The inlet and outlet fitting supplied as part of the filter head are John Guest Superseal fittings that accept 3/8" O.D. tubing on the filter inlet and 1/4" O.D. tubing on the outlet. They may be used with copper, semi rigid nylon or polypropylene tubing, with a rated working pressure equal or greater than encountered in application. Do not use soft or braided tubing.

4. **CAUTION: If supply pressure will ever exceed 100 psi, install a pressure regulator to limit the inlet pressure to the filter to 100 psi or below. DO NOT ATTACH HOT WATER LINE TO FILTER.**

To make connections on the filter head, loosen locknut. Push the tube end past both o-rings to a positive stop in the filter head recess - approx. 1", locknut may have to be backed out a little more. Screw the locknut hand tight to seal (See Fig. 1). Ends of tubing must be cut square and free of burrs and sharp ends that could cut or nick the o-rings.

5. Connect the outlet of the filter to the inlet of the union using the 1/4" O.D. poly tubing and 1/4" union supplied.
6. Remove filter from carton, remove protective cap, attach filter to filter head by firmly inserting into head and rotating filter clockwise.
7. Turn on water supply and hold open the bubbler on cooler until approximately 1 gallon of water is dispensed. This flushing procedure purges air and fine carbon particles from the filter. When 1 gallon of water has been purged through the cooler, carefully inspect all water connections for leaks.

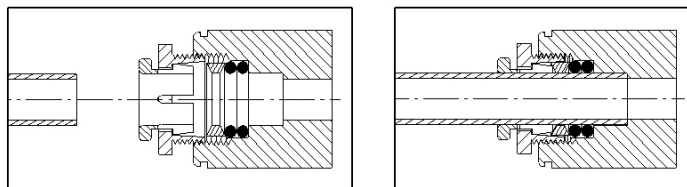


FIG. 1 See Note 4: Screw the locknut hand tight to seal

OPERATION OF QUICK CONNECT FITTINGS

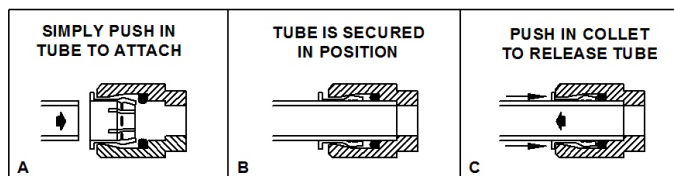


FIG. 2

PUSHING TUBE IN BEFORE PULLING IT OUT HELPS TO RELEASE TUBE

Filter Replacement

1. Turn inlet water valve off.
2. Open bubbler to relieve pressure build up in the system.
3. Remove filter from head by rotating filter counterclockwise.
4. Remove new filter from carton. Remove protective cap. Cap may be placed on old filter to reduce the chance of water spilling from filter housing.
5. Attach filter to filter head by firmly inserting into head and rotating filter clockwise.

NOTE: The filter head contains an automatic shut-off valve that stops the flow of water, if the filter is removed inadvertently without shutting off the incoming water.

RATED OPERATING CONDITIONS

Pressure (Max.)	105 PSI (7.4 Kg/cm ²)
Pressure (Min.)	20 PSI (1.4 Kg/cm ²)
Flow Rate	1.5 GPM (5.7 LPM)
Rated Capacity	1,500 Gallons (5,679 L)
Temperature (Max.)	100° F (38° C)
Temperature (Min.)	40° F (5° C)

NOTE: Performance will vary depending on local water conditions.

NOTE: This system and installation shall comply with applicable state and local regulations.

Table A

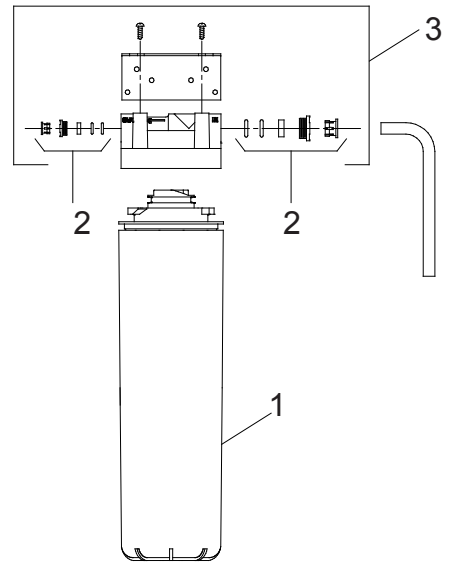
REPLACEMENT FILTER

Filter	Part No.	Description
Halsey Taylor® WaterSentry® VII	55897C	Lead Reduction , C.T.O. Filter

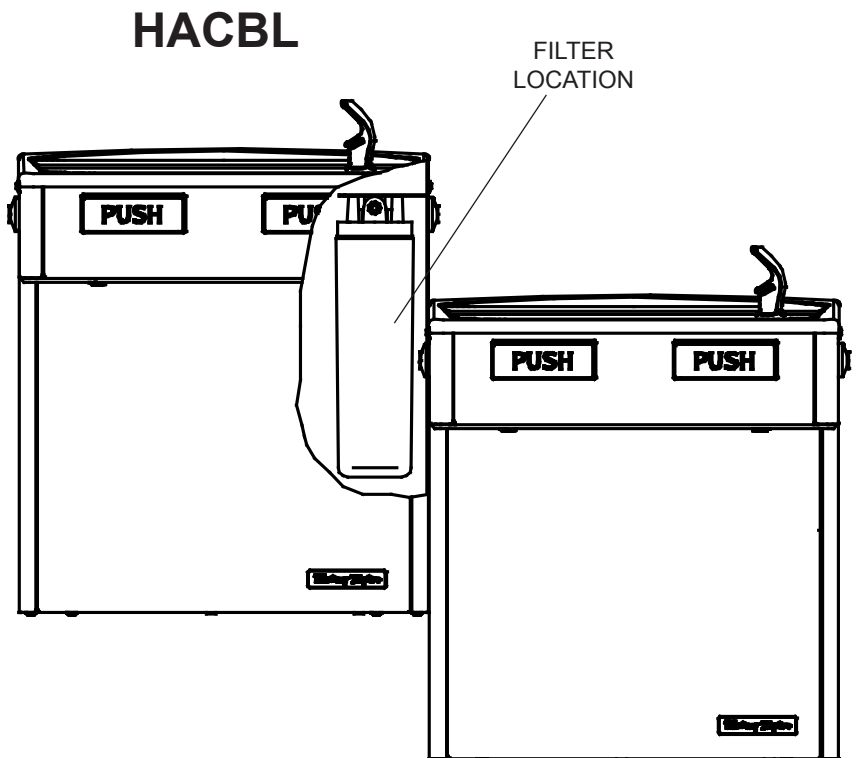
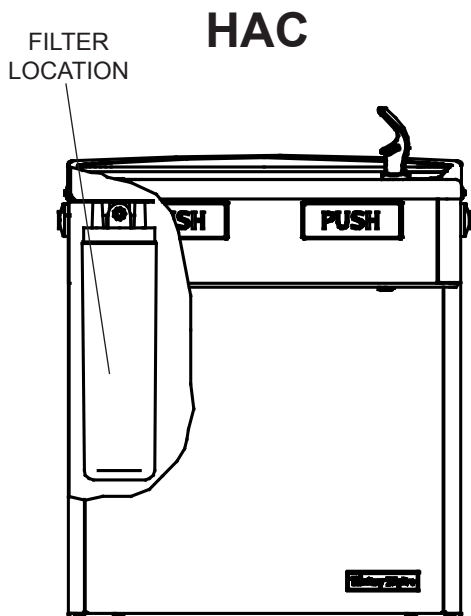
NOTE: If the flow exceeds the rated flow rate, install a flow restrictor, Part No. 50967C, to limit the flow to .5 gpm.

ITEMIZED PARTS LIST

Item No.	Part No.	Description
1	See Table A	Filter Assembly 1500 Gallon
2	98926C	Kit - Filter Head Fitting Includes John Guest Ftgs
3	0000000746	Assy - Filter & Bracket Includes Filter Head/ Mtg Bracket/John Guest Ftgs/Screws

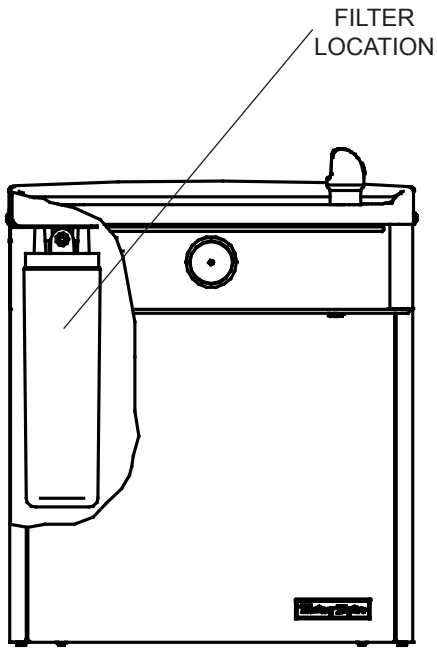


Configuration Examples

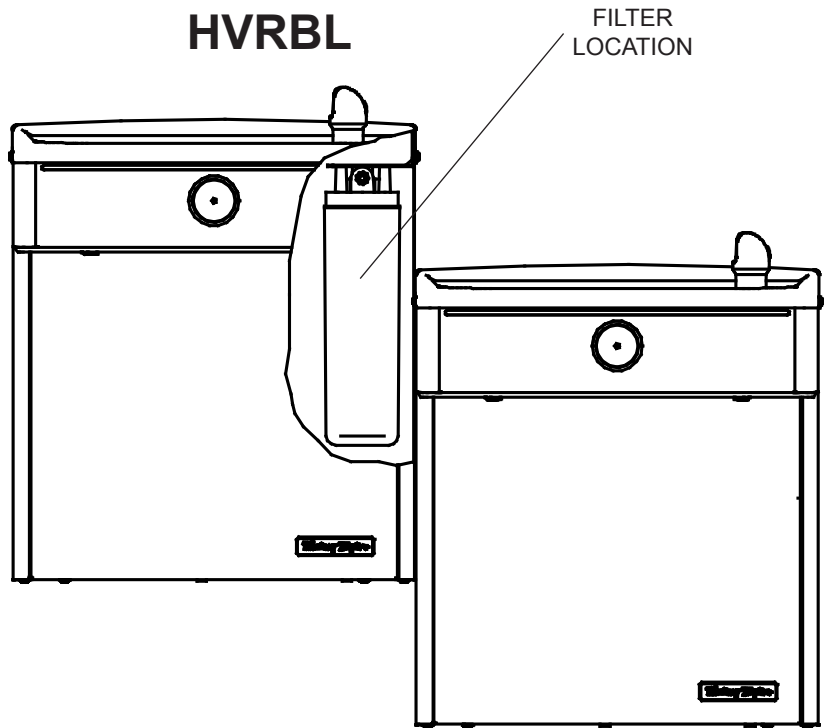


Configuration Examples

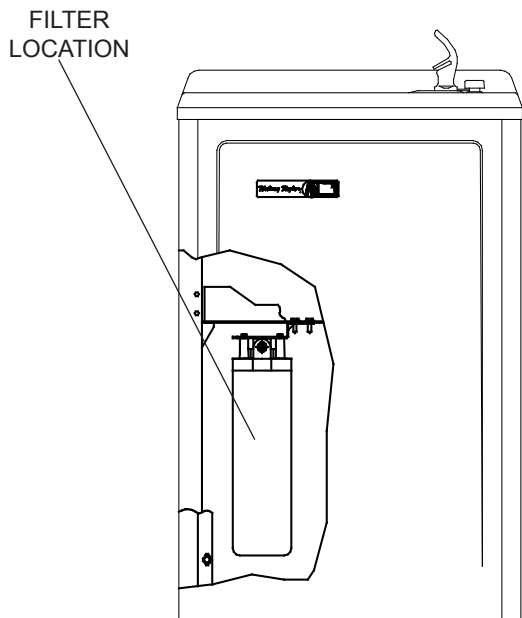
HVR



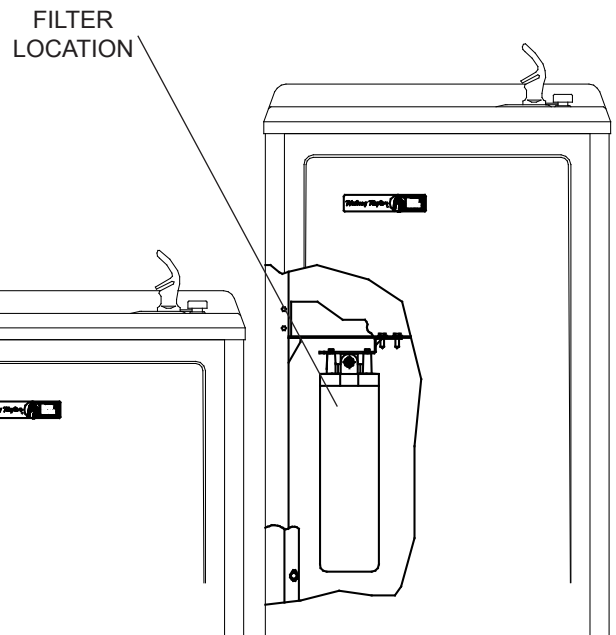
HVRBL



WM

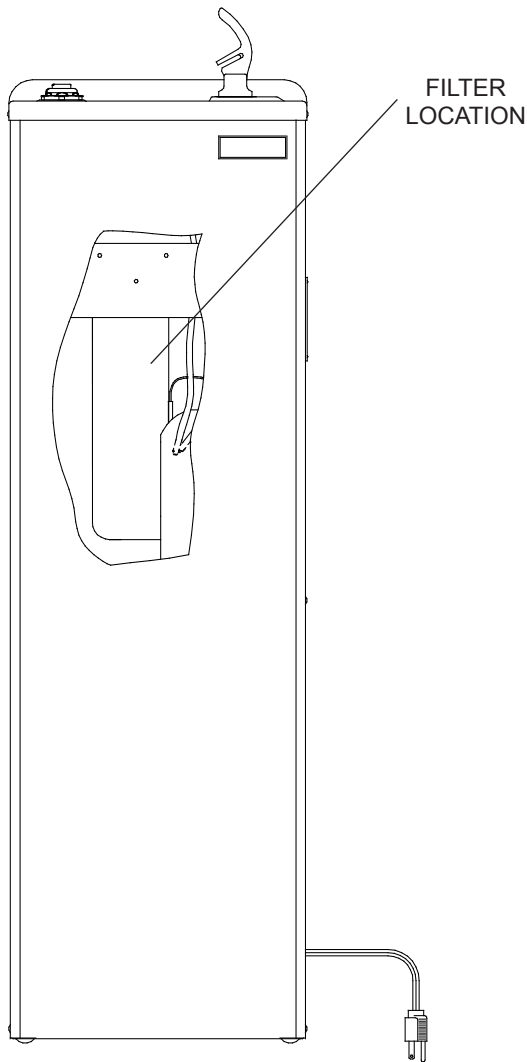


WMBL

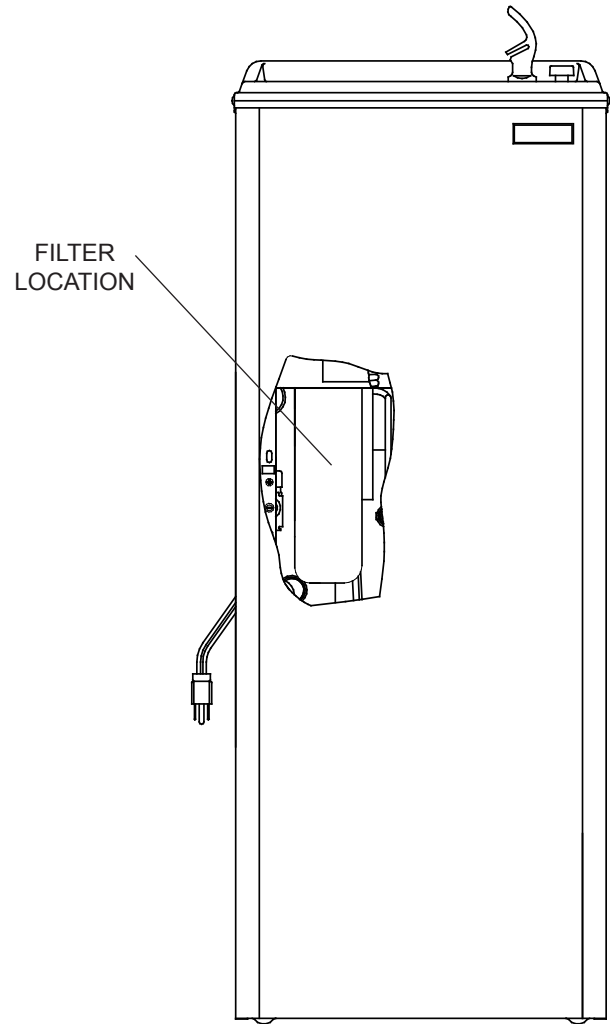


Configuration Examples

S SERIES



SCWT



NOTICE

To receive maximum benefit from your Halsey Taylor® WaterSentry® VII filters, note the installation dates below, and change according to the following guidelines.

Halsey Taylor Part No. 55897C WaterSentry® VII -- Lead Reduction Filter

Change every 1,500 gallons, or once a year -- whichever occurs first.

-- KEEP THIS SHEET IN A HANDY LOCATION --

DATE INSTALLED	MODEL (TYPE OF FILTER)	SERVICE PERSON	DATE INSTALLED	MODEL (TYPE OF FILTER)	SERVICE PERSON

Halsey Taylor[®]
 2222 CAMDEN COURT
 OAK BROOK, IL 60523
 630.574.3500

PRINTED IN U.S.A.

FOR PARTS, CONTACT YOUR LOCAL DISTRIBUTOR OR VISIT OUR WEBSITE WWW.HALSEYTAYLOR.COM