

**PRODUCT SPECIFICATIONS**

Elkay Cane Apron for EZ Gray. Overall dimensions are 17-5/8" x 9-9/16" x 5-1/2".

<b>Finish:</b>	Gray (GRY)
<b>Dimensions:</b>	17-5/8" x 9-9/16" x 5-1/2"
<b>Shipping Weight:</b>	2 lbs.

**Special Note:** For use with EZ style models.

- Cane touch apron designed for use in specific bi-level applications.
- For when coolers or bottle fillers are installed on an exposed wall.
- For use with EZ style models.
- Provides the mandatory 27" (686 mm) floor to underside requirement for detection in a circulation path when properly installed.
- Light Gray Vinyl finish is durable and attractive.



**Included with Product:** Cane apron assembly

AMERICAN PRIDE. A LIFETIME TRADITION.  
Like your family, the Elkay family has values and traditions that endure. For almost a century, Elkay has been a family-owned and operated company, providing thousands of jobs that support our families and communities.



**Product Compliance:** Buy American Act

[Installation Instructions \(PDF\) - 97629C](#)

PART: \_\_\_\_\_ QTY: \_\_\_\_\_

PROJECT: \_\_\_\_\_

CONTACT: \_\_\_\_\_

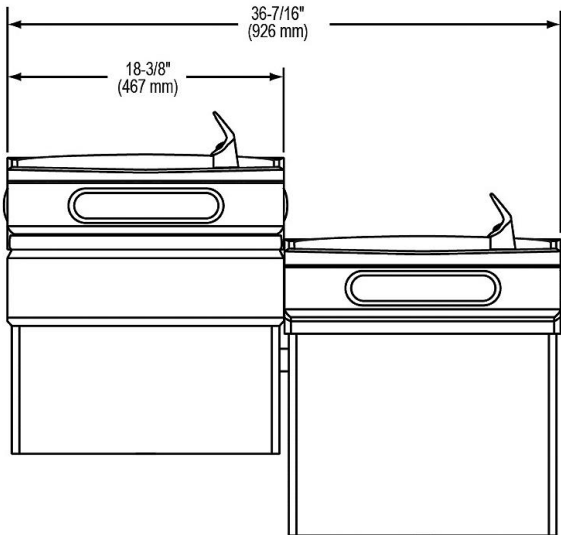
DATE: \_\_\_\_\_

NOTES: \_\_\_\_\_

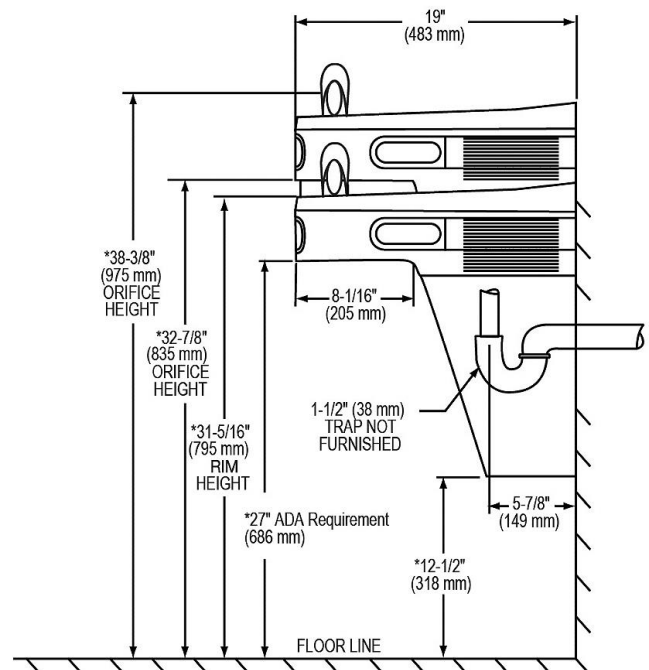
APPROVAL: \_\_\_\_\_

*In keeping with our policy of continuing product improvement, Elkay reserves the right to change product specifications without notice. Please visit elkay.com for the most current version of Elkay product specification sheets. This specification describes an Elkay product with design, quality, and functional benefits to the user. When making a comparison of other producers' offerings, be certain these features are not overlooked.*

FRONT VIEW



SIDE VIEW



EZSTL8C shown with accessory apron LKAPREZL mounted.

In keeping with our policy of continuing product improvement, Elkay reserves the right to change product specifications without notice. Please visit [elkay.com](http://elkay.com) for the most current version of Elkay product specification sheets. This specification describes an Elkay product with design, quality, and functional benefits to the user. When making a comparison of other producers' offerings, be certain these features are not overlooked.