

ELKAY® *With FLEXI-GUARD*®

INSTALLATION AND USE MANUAL

LZOTL™ Series Versatile Bi-Level Water Coolers



Versatile Cooler Model LZOTL8
configuration as shipped



Versatile Cooler Model LZOTL8
alternate installation

Note: Danger! Electrical shock hazard. Disconnect power before servicing unit.
 Nota: peligro! Peligro de descarga eléctrica. Desconecte antes de reparar la unidad
 Remarque : Danger ! Risque de choc électrique. Débrancher avant de réparer l'appareil.

Uses HFC-134A refrigerant
 Usa refrigerante HFC-134A
 Utilise du fluide frigorigène HFC-134A

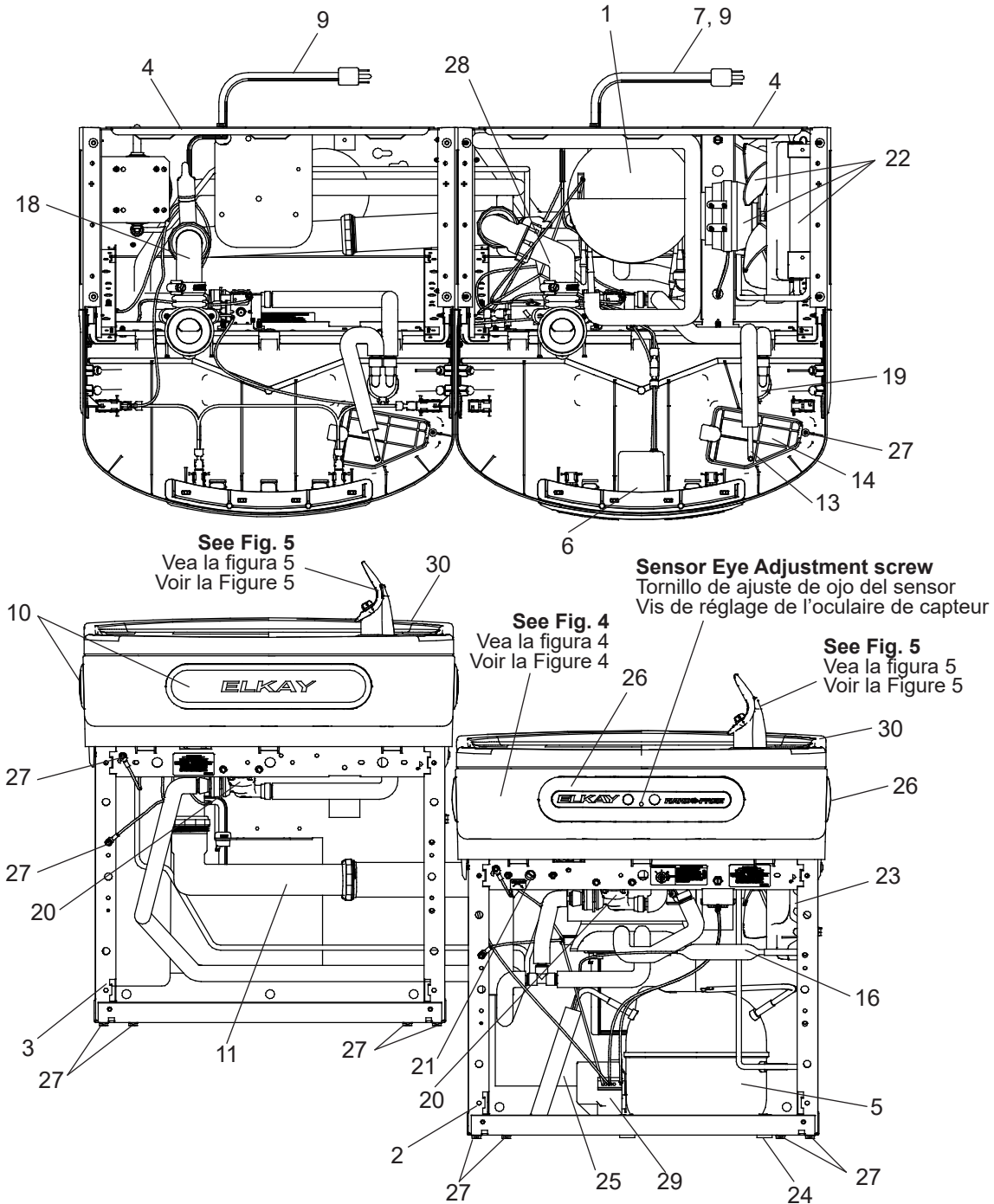


FIG. 1

STANDARD ROUGH-IN FOR BI-LEVEL MODELS

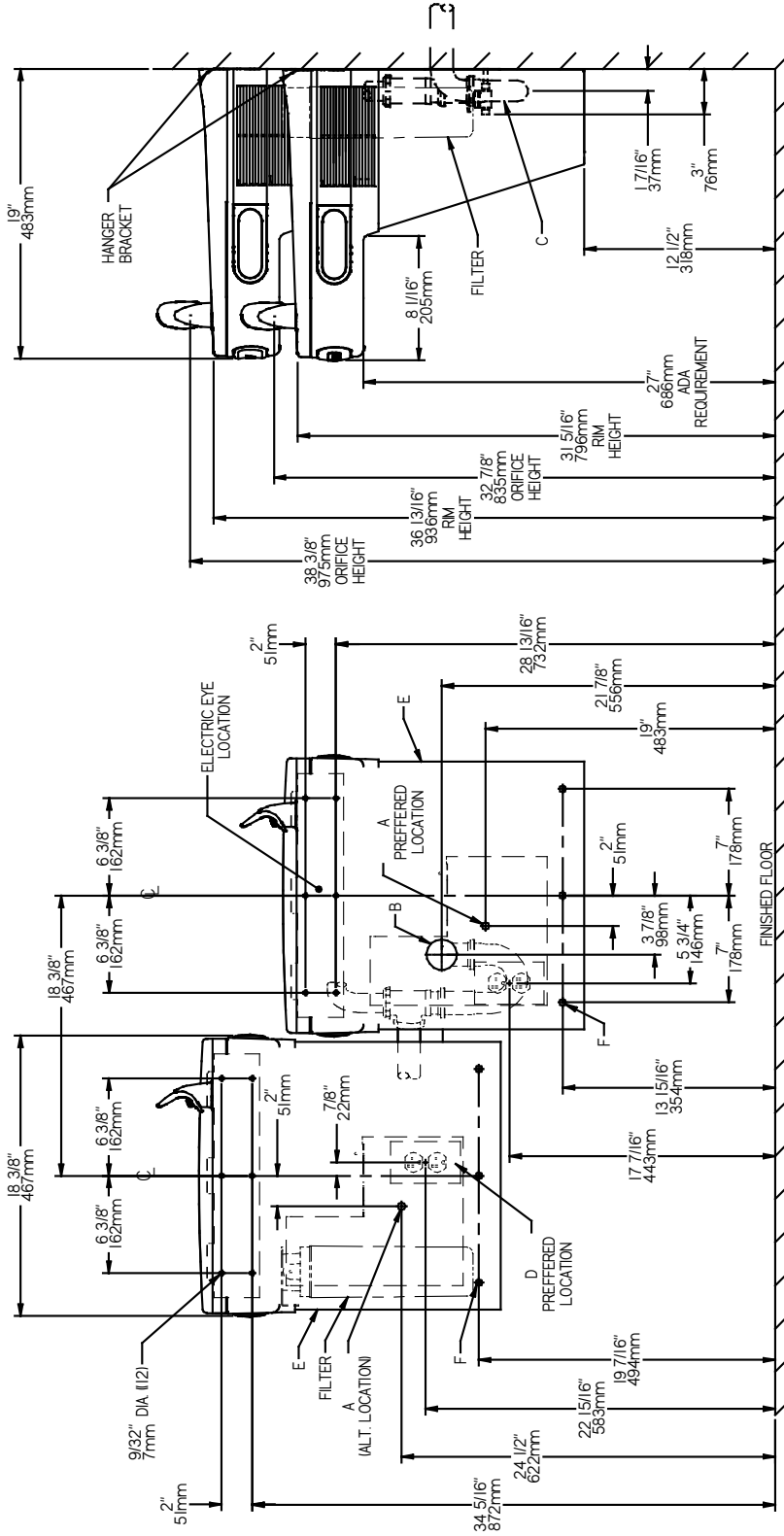


FIG. 2

REDUCE HEIGHT BY 3 INCHES FOR INSTALLATION OF CHILDREN'S ADA COOLER

LEGEND/LEYENDA/LÉGENDE

- A = RECOMMENDED WATER SUPPLY LOCATION 3/8" O.D. UNPLATED COPPER TUBE CONNECT STUB WITH SHUT OFF (BY OTHERS) 3" (76mm) MAXIMUM OUT FROM WALL**
 La UBICACION 3/8 O RECOMENDADA de ABASTECIMIENTO DE AGUA. D. El TUBO del COBRE de UNPLATED CONECTA TALONARIO CON APAGO (POR OTROS) 3 en. (76 Mm) el MAXIMO FUERA DE PARED
 L.O.D de 3/8 d'EMPLACEMENT DE PROVISION D'EAU RECOMMANDE. LE TUBE DE CUIVRE DE UNPLATED CONNECTE STUB AVEC ETEINT (PAR LES AUTRES) 3 dans. (76 mm) le MAXIMUM HORS DU MUR
 - B = RECOMMENDED LOCATION FOR WASTE OUTLET 1-1/2" O.D. DRAIN STUB 2" OUT FROM WALL**
 UBICACION RECOMENDADA PARA EL DRENAJE DE SALIDA DE AGUA. DE 1-1/2" DE DIAMETRO. EI TALONARIO 2 FUERA DE PARED
 EMLACEMENT RECOMMANDE POUR LE DRAIN DE D.E. 1-1/2" DE SORTIE D'EAU. STUB 2 HORS DU MUR
 - C = 1-1/2" TRAP NOT FURNISHED**
 PURGADOR DE 1-1/2 NO PROPORCIONADO
 SIPHON 1-1/2 NON FOURNI
 - D = ELECTRICAL SUPPLY (3) WIRE RECESSED BOX**
 CAJA RECESIVA DE ALAMBRES (3) DE SUMINISTRO ELÉCTRICO
 BOITE ENCASTRÉE D'ALIMENTATION ÉLECTRIQUE (3) FILS
 - E = INSURE PROPER VENTILATION BY MAINTAINING 6" (152 mm) (MIN.) CLEARANCE FROM CABINET LOUVERS TO WALL.**
 ASSEGURE UNA VENTILACION ADECUADA MANTENIENDO UN ESPACIO E 6" (152 mm) (MIN.) DE HOLGURA ENTRE LA REJILLA DE VENTILACIÓN DEL MUEBLE Y LA PARED
 ASSUREZ-VOUS UNE BONNE VENTILATION EN GARDANT 6" (152 mm) (MIN.) ENTRE LES EVENTS DE L'ENCEINTE ET LE MUR.
 - F = 7/16" BOLT HOLES FOR FASTENING UNIT TO WALL**
 AGUJEROS DE LAS TUERCAS DE 7/16 PARA SUJETAR LA UNIDAD A LA PARED
 TROUS D'ÉCROUS 7/16 POUR FIXER L'APPAREIL AU MUR
- **NEW INSTALLATIONS MUST USE GROUND FAULT CIRCUIT INTERRUPTERS (GFCI)**
****LAS NUEVAS INSTALACIONES DEBEN UTILIZAR LOS INTERRUPTORES DE CIRCUITO DE TIERRA DE LA AVERÍA (GFCI)**
****LES NOUVELLES INSTALLATIONS DOIVENT EMPLOYER LES INTERRUPTEURS DE CIRCUIT MOULUS DE DÉFAUT (GFCI)**

ALTERNATE INSTALLATION ROUGH-IN FOR BI-LEVEL MODELS

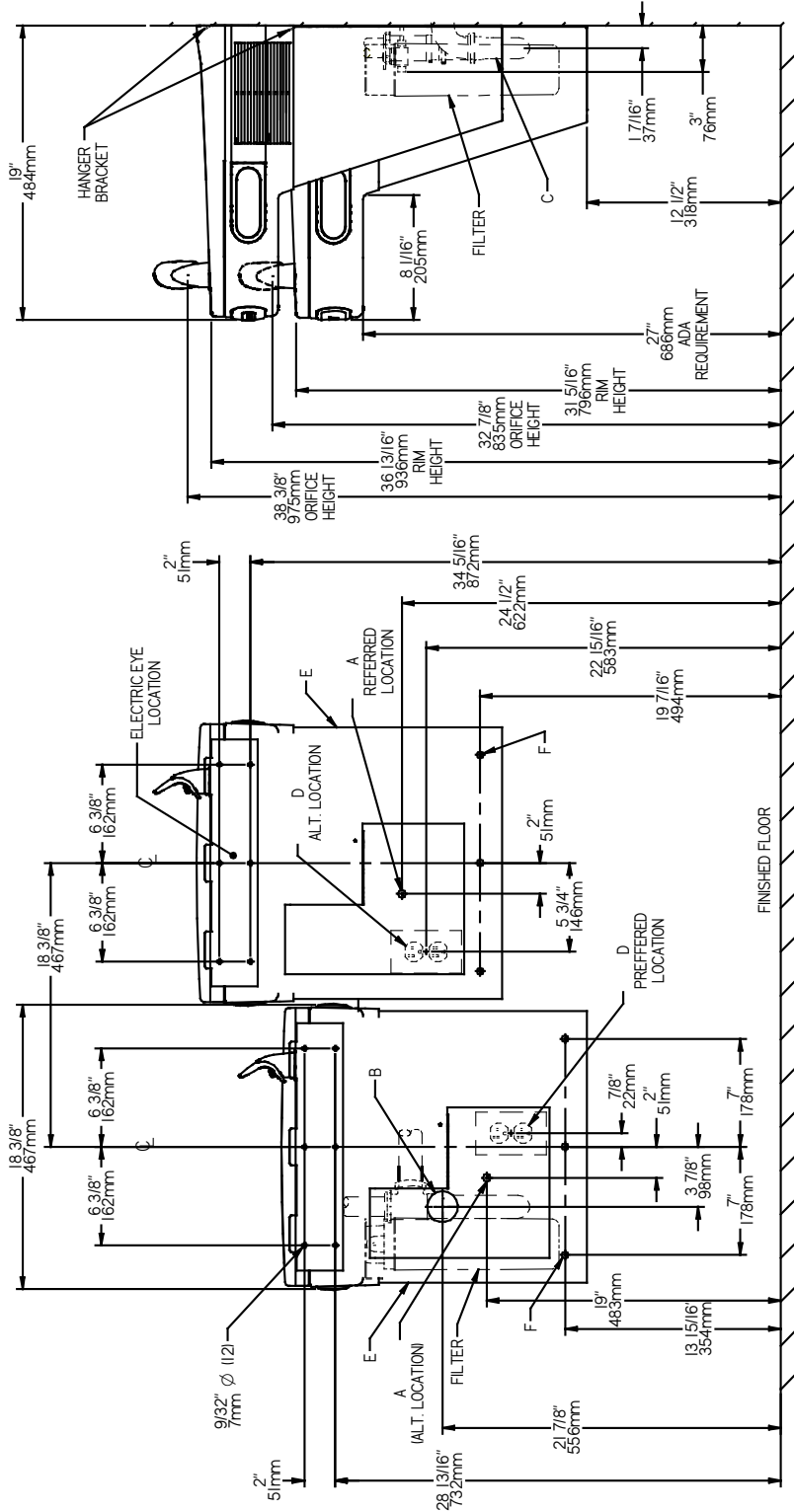


FIG. 3

REDUCE HEIGHT BY 3 INCHES FOR INSTALLATION OF CHILDREN'S ADA COOLER

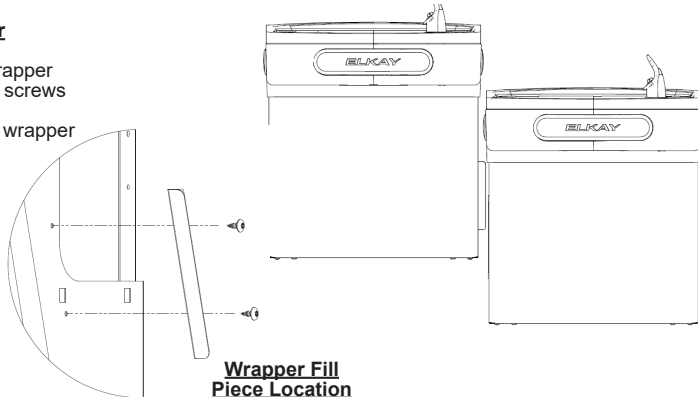
- LEGEND/LEYENDA/LÉGENDE**
- A = RECOMMENDED WATER SUPPLY LOCATION 3/8" O.D. UNPLATED COPPER TUBE CONNECT STUB WITH SHUT OFF (BY OTHERS) 3" (76mm) MAXIMUM OUT FROM WALL**
La UBICACION 3/8 O RECOMENDADA de ABASTECIMIENTO DE AGUA D. El TUBO del COBRE de UNPLATED CONECTA TALONARIO CON APAGO (POR OTROS) 3 en. (76 Mm) el MAXIMO FUERA DE PARED
 - B = RECOMMENDED LOCATION FOR WASTE OUTLET 1-1/2" O.D. DRAIN STUB 2" OUT FROM WALL**
UBICACION RECOMENDADA PARA EL DRENAJE DE SALIDA DE AGUA, DE 1-1/2" DE DIAMETRO. El TALONARIO 2 FUERA DE PARED
 - C = 1-1/2" TRAP NOT FURNISHED**
PURGADOR DE 1-1/2 NO PROPORCIONADO
 - D = ELECTRICAL SUPPLY (3) WIRE RECESSED BOX**
CAJA RECESIVA DE ALAMBRES (3) DE SUMINISTRO ELÉCTRICO
 - E = INSURE PROPER VENTILATION BY MAINTAINING 6" (152 mm) (MIN.) CLEARANCE FROM CABINET LOUVERS TO WALL.**
ASEGURE UNA VENTILACION ADECUADA MANTENIENDO UN ESPACIO E 6" (152 mm) (MIN.) DE HOLLGURA ENTRE LA REJILLA DE VENTILACION DEL MUEBLE Y LA PARED
 - F = 7/16" BOLT HOLES FOR FASTENING UNIT TO WALL**
AGUJEROS DE LAS TUERCAS DE 7/16 PARA SUJETAR LA UNIDAD A LA PARED
- **NEW INSTALLATIONS MUST USE GROUND FAULT CIRCUIT INTERRUPTERS (GFCI)**
****LAS NUEVAS INSTALACIONES DEBEN UTILIZAR LOS INTERRUPTORES DE CIRCUITO DE TIERRA DE LA AVERÍA (GFCI)**
- **LES NOUVELLES INSTALLATIONS DOIVENT EMPLOYER LES INTERRUPTEURS DE CIRCUIT MOULUS DE DÉFAUT (GFCI)**

Versatile Wrapper and Trim Kit Installation Instructions

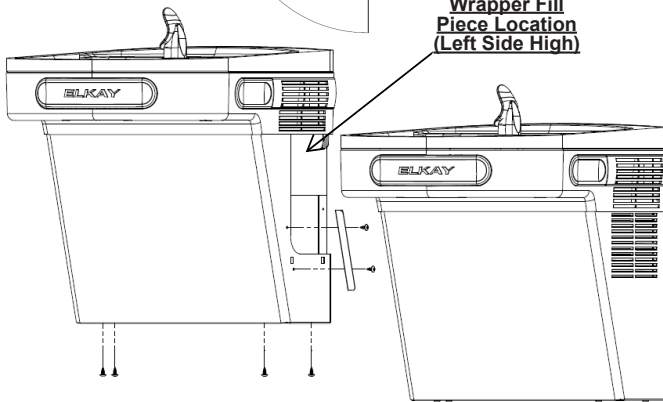
Left Hand Wrapper

(High Side)

- 1) Remove existing wrapper by removing the (4) screws from bottom.
- 2) Screw trim piece to wrapper with (2) screws (provided)
- 3) Re-install wrapper with (4) screws.
- 4) Dispose of unused cover plate.



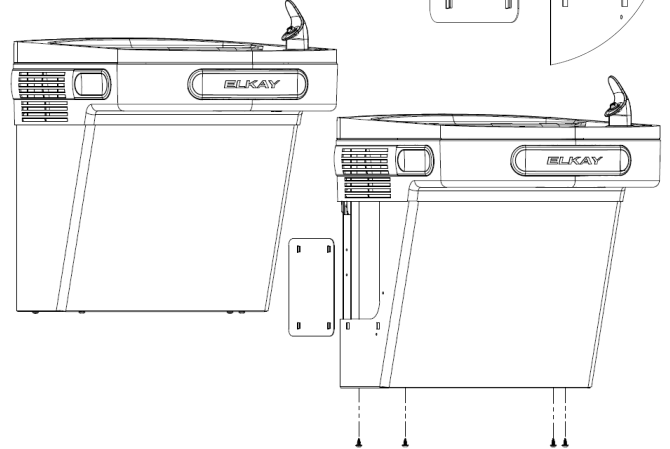
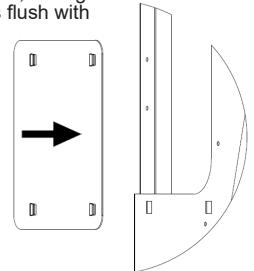
Wrapper Fill Piece Location (Left Side High)



Right Hand Wrapper

(Low Side)

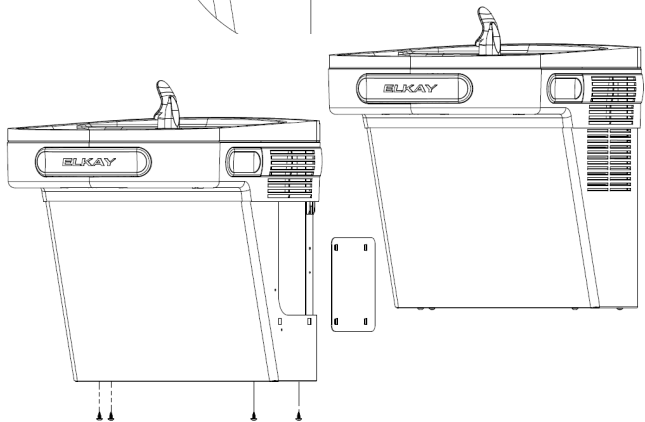
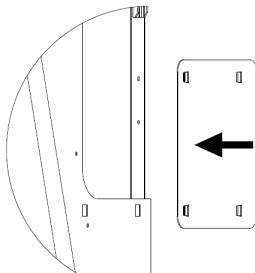
- 1) Remove existing wrapper by removing the (4) screws from bottom.
- 2) Clip cover plate, sliding until plate sits flush with the wall.
- 3) Re-install wrapper with (4) screws.
- 4) Dispose of unused trim piece.



Left Hand Wrapper

(Low Side)

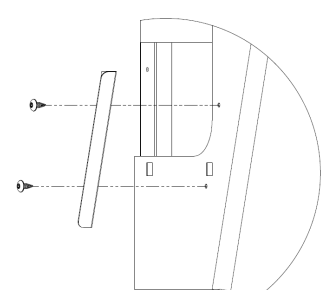
- 1) Remove existing wrapper by removing the (4) screws from bottom.
- 2) Clip cover plate, sliding until plate sits flush with the wall.
- 3) Re-install wrapper with (4) screws.
- 4) Dispose of unused trim piece.



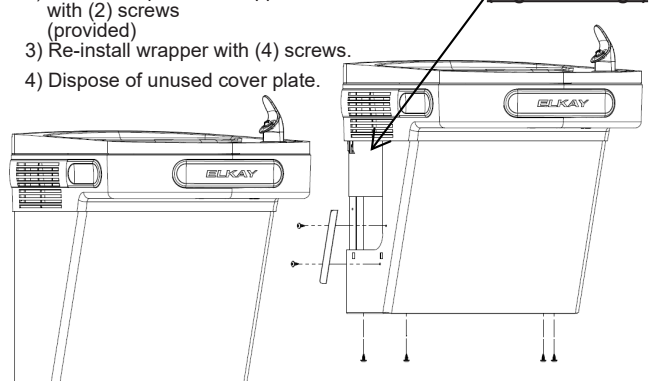
Right Hand Wrapper

(High Side)

- 1) Remove existing wrapper by removing the (4) screws from bottom.
- 2) Screw trim piece to wrapper with (2) screws (provided)
- 3) Re-install wrapper with (4) screws.
- 4) Dispose of unused cover plate.



Wrapper Fill Piece Location (Right Side High)



HANGER BRACKETS & TRAP INSTALLATION

- 1) Remove hanger bracket fastened to back of cooler by removing one (1) screw.
- 2) Mount the hanger bracket as shown in Figure 2 or 3.

NOTE: Hanger Bracket **MUST** be supported securely. Add fixture support carrier if wall will not provide adequate support. Anchor hanger securely to wall using all six (6) 1/4 in. dia. mounting holes.

INSTALLATION OF COOLER

- 3) Hang the cooler on the hanger bracket. Be certain the hanger bracket is engaged properly in the slots on the cooler back as shown in Figure 2 or 3.
- 4) Remove the four (4) screws holding the lower front panel at the bottom of cooler. Remove the front panel by pulling straight down and set aside.
- 5) Connect water inlet line--See Note 4 of General Instructions.
- 6) Install trap. Remove the slip nut and gasket from the trap and install them on the cooler waste line making sure that the end of the waste line fits into the trap. Assemble the slip nut and gasket to the trap and tighten securely. The purple jumper wire (item 8) from the right hand refrigerated unit is to be connected to the purple jumper wire (item 8) located on the non-refrigerated left hand unit by removing the protective end caps and connecting the male and female terminal connectors.

IMPORTANT: If it is necessary to cut the drain, loosen the screw at the black rubber boot and remove tube, check for leaks after re-assembly.

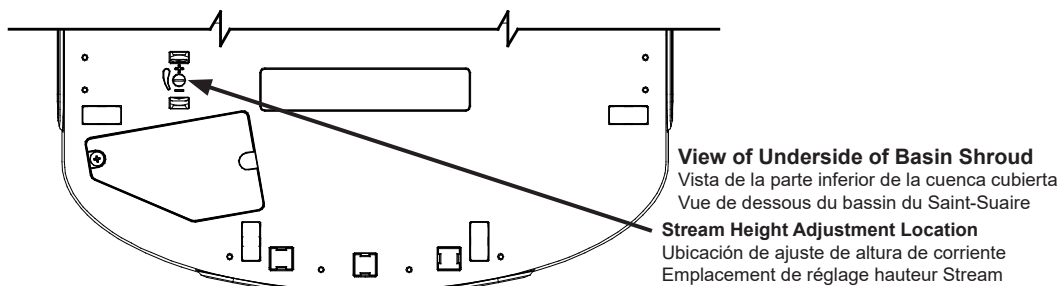
- 7) Plug in electrical power. Unit must have electrical power to have water flow.

START UP**Also See General Instructions**

- 8) Stream height is factory set at 35 PSI. If supply pressure varies greatly from this, adjust screw located on the right knee clearance area of the underside of the Basin Shroud. CW adjustment will raise stream and CCW adjustment will lower stream. For best adjustment, stream should hit basin approximately 6-1/2" (165mm) from bubbler on the downward slope of the basin.

NOTE: If continuous flow occurs at the end of the compressor cycle, turn cold control counterclockwise 1/4 turn.

- 9) Replace the front panel ensuring that the metal wrapper is secured inside of the upper shroud. Replace all four screws previously removed.

**SENSOR RANGE ADJUSTMENT:**

The electronic sensor used in this cooler is factory pre-set for a "visual" range of 36 inches (914 mm). If actual range varies greatly from this or a different setting is desired, follow the range adjustment procedure below:

- Using a small tip screwdriver, locate range adjustment screw through the small hole between the sensor lenses (See Page 1.) Turn this screw clockwise to increase range and counterclockwise to decrease range (See Fig. 4).

CAUTION: Complete range of sensor (24-36 inches/610-1168mm) is only one turn of the adjusting screw.

SENSOR WITH VISUAL FILTER MONITOR (VFM) – LZO SERIES:

The electronic sensor includes LED filter status indicators that are factory preset to monitor filter life. The sensor monitors the "ON" time of the water valve solenoid and keeps track of total time water is dispensed. On LZOTL units, the sensor also monitors the water time on of the left hand unit using a purple jumper wire. If the purple jumper wire is not installed, improper water usage will be calculated. There are (3) LED's and indicates the following:

Green LED (Good) indicates that the filter is operating within 0% - 80% of its life.

Yellow LED indicates that the filter is operating within 80% - 100% of its life.

Red LED (Replace) indicates that the filter needs to be replaced since it has reached end of filter life.

Once power is applied to the water cooler, if all three LED's flash then the Green LED illuminates, this indicates that there is some filter usage memory stored. When the Green LED comes on only, this indicates that the filter life is at absolute 0% of filter life. NOTE: You may have some very minimal filter life in memory upon receiving water cooler due to factory functional testing.

NOTE: The filter status will be retained until reset (see resetting filter monitor). The filter monitor will retain its memory even during a loss of power.

RESETTING VISUAL FILTER MONITOR (VFM):

In order to reset the visual filter monitor status LED's, you must remove the access panel (item 14) underneath the front dispenser. With your finger or straight blade screw driver, reach inside opening and depress the reset button located on the back of the sensor for a minimum of 1 second. (You may need a flashlight) Reinstall access panel and the Green LED should be illuminated indicating that the visual filter monitor has been reset.

SENSOR CONTROL: If sensor fails to operate valve mechanism or operates erratically, check the following.

- A. Ensure there are no obstructions within a 40" (1016mm) radius in front of cooler.
- B. Check wire connections at the solenoid valve and sensor. **CAUTION:** Make sure unit is unplugged before checking any wiring.
- C. Ensure proper operation of solenoid valve. If there is an audible clicking sound yet no water flows, look for an obstruction in the valve itself or elsewhere in the water supply line.

CLEANING

Warm, soapy water or mild household cleaning products can be used to clean the exterior panels of the EZ coolers. Extra caution should be used to clean the mirror finished stainless steel panels. They can be easily scratched and should only be cleaned with mild soap and water or Windex glass cleaner and a clean, soft cloth. Use of harsh chemicals or petroleum based or abrasive cleaners **will void the warranty.**

Service Instructions

Lower and Upper Shroud

To access the refrigeration system and plumbing connections, remove four screws from bottom of cooler to remove the lower shroud. To remove the upper shroud for access to the pushbars, regulator, solenoid valve or other components located in the top of the unit, remove lower shroud, disconnect drain, remove four screws from tabs along lower edge of upper shroud, unplug two wires and water tube.

Bubbler

To remove the bubbler, first disconnect the power supply. The underside of the bubbler can be reached through the access panel (Item 14, Page 2) on the underside of the upper shroud (Item 15). Remove the access panel by removing the retaining screw. To remove the bubbler, loosen locknut (See Fig. 5) from the underside of the bubbler and remove the tubing from the quick connect fitting per the Operation Of Quick Connect Fittings section in the General Instructions. After servicing, replace the access panel and retaining screw.

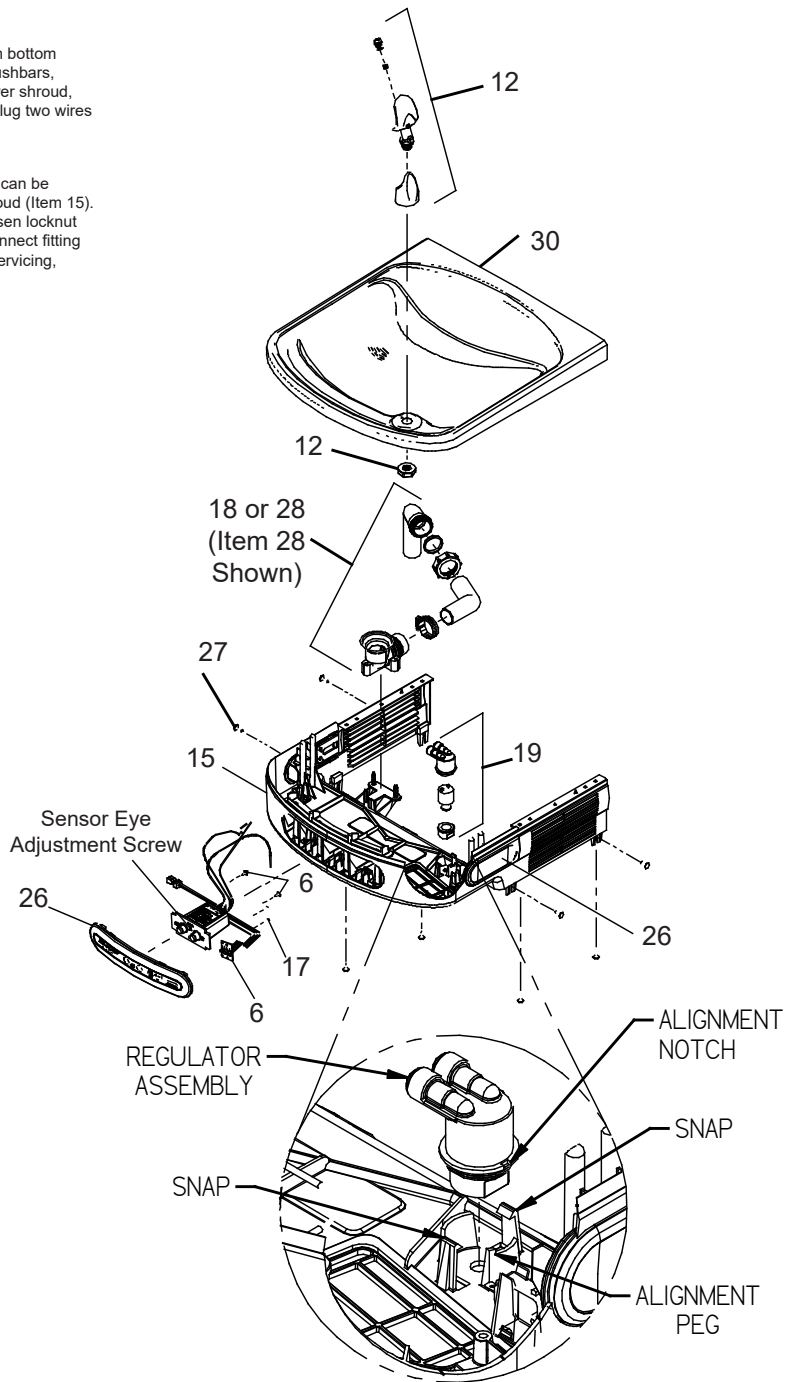
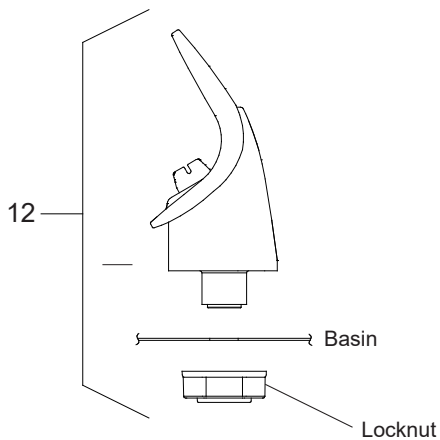


FIG. 4



BUBBLER DETAIL

FIG. 5

NOTE:

When installing replacement bubbler and pedestal, tighten locknut only to hold parts snug in position. Do Not Overtighten.

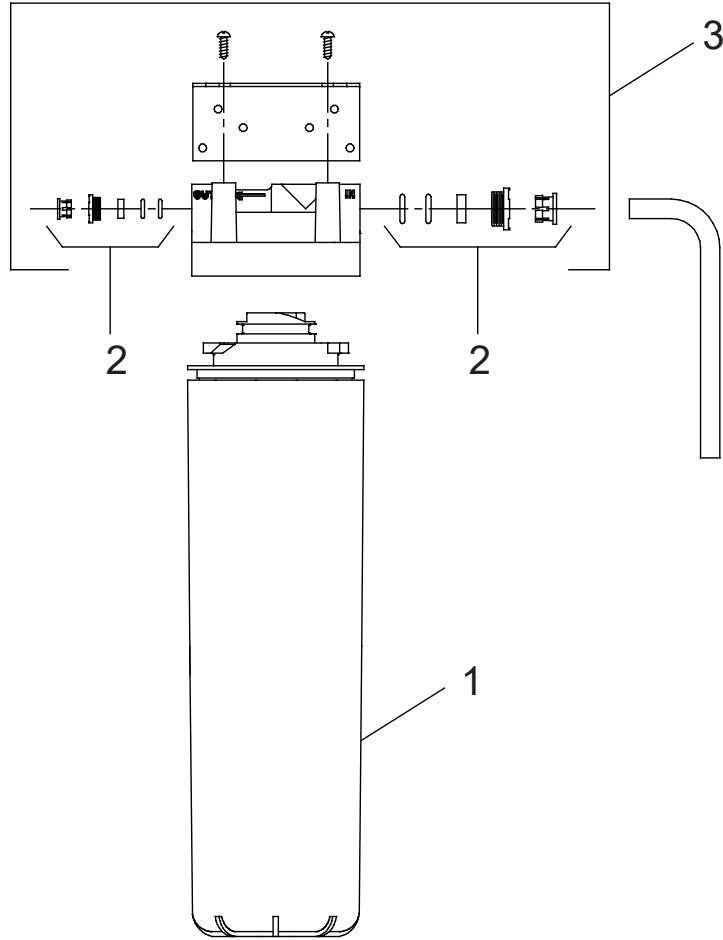


Fig. 6

WATERSENTRY® Filter Detail
Detalle WATERSENTRY® Filtro
Description WATERSENTRY® Filtrage

WATERSENTRY® FILTER PARTS LIST			LISTA DE PIEZAS DEL FILTRO	LISTE DES PIÈCES DU FILTRE
ITEM NO.	PART NO.	DESCRIPTION	DESCRIPCIÓN	DESCRIPTION
1	51299C	Filter Assy-1500 Gal.	Ensamblado del Filtro-1500 Galón	Ens. filtre-1500 Gallon
2	98926C	Kit-Filter Head Fitting Includes John Guest Fitting & 3/8" Elbow Fitting	Montaje Cabeza Kit Filtro-Incluye John Guest Montaje y 3/8" Codo	Raccord Tête de Filtre Kit-Inclut John Guest Montaje et 3/8" Raccord en Coude
3	0000000746	Assy-Filter & Bracket includes Fitr Head/Mtg Bkt/ John Guest Ftgs/Screws	Conjunto del Filtro y Soporte, Incluye Filtro Soporte/John Guest Guarniciones/ Tornillos de Montaje de Cabeza	Assemblée-Filtre et Support Inclut Filtre/Montage Support/John Guest/ Vis à Tête

115V PARTS LIST

ITEM NO.	PART NO.	DESCRIPTION
1	98724C	Kit - Evaporator Assy.
2	1000000888	Kit - EZTL Wrapper/Serv Label - Stainless (R)
	1000000944	Kit - EZTL Wrapper/Serv Label - Light Grey (R)
3	1000000758	Kit - EZTLD Wrapper/Serv Label - Stainless (L)
	1000000759	Kit - EZTLD Wrapper/Serv Label - Light Grey (L)
4	28401C	Hanger Bracket
*5	36322C	Compressor Serv. Pak
6	36263C	Sensor - VFM
7	30873C	Wire - Jumper
8	36265C	Jumper Wire (Purple)
9	36285C	Power Cord (Refrig. Unit)
	35980C	Power Cord (Less Refrig. Unit)
10	98734C	Kit - Front/Side Pushbars EZ(TL(L)
11	1000004447	TL Waste Line
12	56073C	Kit - Bubbler Assy/Nut
13	56092C	Poly Tubing (Cut to Length)
14	56213C	Panel - Access
15	56228C	Upper Shroud Assembly (Refrigerated Unit)
	56229C	Upper Shroud Assembly (Non-Refrigerated Unit)
16	66703C	Drier
17	75710C	2-28 x .250 48-2 Plastite Screw
18	97969C	Kit - Drain Replace EZTLD
19	1000004564	Kit - Regulator w/Holder & Nut
20	1000004572	Kit - Solenoid Vlv/Regulator/Nut Assy.
21	98773C	Kit - Cold Control/Screws
22	98775C	Kit - Fan Motor Assy/Blade/Motor/Shroud/Screws/Nut
23	98776C	Kit - Condenser/Drier
24	98777C	Kit - Compr Mtg Hdwe/Grommets/Clips/Studs
25	98778C	Kit - Heatx/Drier
26	98897C	Kit - LZO Pushbar Front/Side
27	98898C	Kit - Hardware (EZ) for Panels
28	1000004984	Kit - Drain Replace/Adapt/Tube/Ftg/Clamp (EZTL8)
29	000000238	Kit - Compr Elect Relay/Overload/Cover
30	55001109	Basin - Stainless Steel
NS	28025C	Wrapper - Filler Stainless
	28024C	Wrapper - Filler Light Grey

NS = NOT SHOWN

***INCLUDES RELAY & OVERLOAD. IF UNDER WARRANTY, REPLACE WITH SAME COMPRESSOR USED IN ORIGINAL ASSEMBLY.**

NOTE: All correspondence pertaining to any of the above water coolers or orders for repair parts MUST include Model No. and Serial No. of cooler, name and part number of replacement part.

115V WIRING DIAGRAM

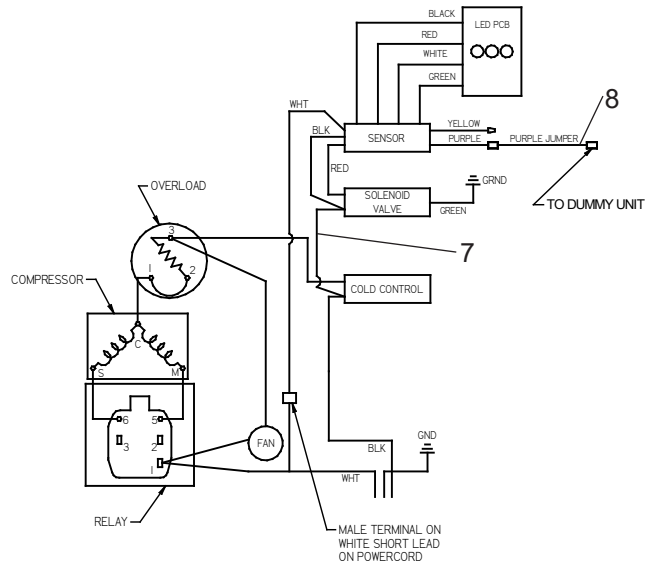


FIG. 7

220V PARTS LIST

ITEM NO.	PART NO.	DESCRIPTION
*5	1000002147	Compressor Serv. Pak (220V/50Hz)
	1000002146	Compressor Serv. Pak (220V/60Hz)
9	36066C	Power Cord (Refrigerated Unit)
	36067C	Power Cord (Non-Refrigerated Unit)
20	1000004575	Kit - Solenoid Valve/Reg./Nut Assy.
22	0000000245	Kit - Fan Motor/Blade (220V 50Hz/60Hz)
29	33133000	Adapt - Tab .250
31	98751C	Kit - Overload/Relay/Cvr (220V/50Hz)
	98752C	Kit - Overload/Relay/Cvr (220V/60Hz)
NS	28030C	Brkt - Power Inlet
NS	35826C	Inlet Power

NS = NOT SHOWN

WIRING DIAGRAM - LZOTL 220V

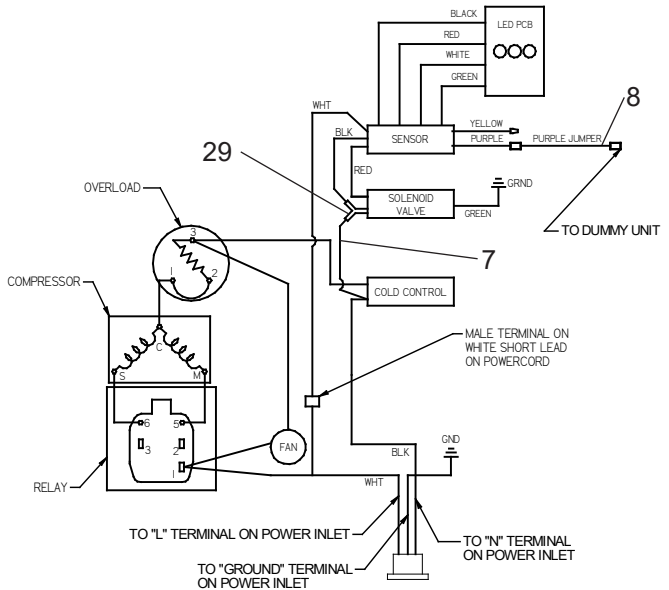


FIG. 8

FOR PARTS, CONTACT YOUR LOCAL DISTRIBUTOR OR CALL 1.800.834.4816
 PARA PIEZAS, CONTACTE A SU DISTRIBUIDOR LOCAL O LLAME AL 1.800.834.4816
 POUR OBTENIR DES PIÈCES, CONTACTEZ VOTRE DISTRIBUTEUR LOCAL OU COMPOSEZ LE 1.800.834.4816

REPAIR SERVICE INFORMATION TOLL FREE NUMBER 1.800.260.6640

NÚMERO GRATIS DE SERVICIO 1.800.260.6640

INFORMATIONS POUR LE SERVICE PAR NUMERO SANS FRAIS 1.800.260.6640

PRINTED IN U.S.A.
 IMPRESO EN LOS E.E.U.U.
 IMPRIMÉ AUX É.-U.

ELKAY MANUFACTURING COMPANY • 2222 CAMDEN COURT • OAK BROOK, IL 60523 • 630.574.8484 • www.elkay.com