



- Tank Type Vertical **Bradex®**
- Surface-Mounted
- ADA Compliant

### Product Materials

**BODY:** 20 gauge stainless steel with exposed surfaces in architectural satin finish.  
**BACK:** 20 gauge stainless steel; heliarc welded to the body.  
**WALL PLATE:** stainless steel.  
**SOAP VALVE:** chrome-plated brass housing with ABS plastic mechanism.

### Capacity

40-oz. liquid soap.

### Operation

Push-in valve dispenses measured amount of vegetable or coconut oil liquid soaps, synthetic detergents, and antiseptic solutions with less than 5 lbs. of force. Sight gauge indicates refill time. Locked filler top opens with special key provided.

- Bradley liquid soap valves operate best with any vegetable oil or coconut oil hand soap having a 10–15% soap concentration.

### Installation

Verify all rough-in dimensions prior to installation. Secure separate mounting bracket to wall. Slide dispenser into place and secure locking screw through filler hole.

### Guide Specification

Surface-mounted liquid soap dispenser shall be fabricated of 20 gauge satin finish stainless steel. Dispenser shall have completely concealed mounting, vandal-resistant filler hole cover and sight gauge. Push-in corrosion-resistant liquid soap valve. Capacity: 40-oz. liquid soap. Requires less than 5 lbs. of force to dispense soap.

**Overall dimensions:** 4<sup>13</sup>/<sub>16</sub>"W x 8<sup>3</sup>/<sub>16</sub>"H x 2<sup>7</sup>/<sub>8</sub>"D.



### ADA Compliant

- Consult local and national accessibility codes for proper installation guidelines.
- Conformity and compliance to local and national codes is the responsibility of the installer.

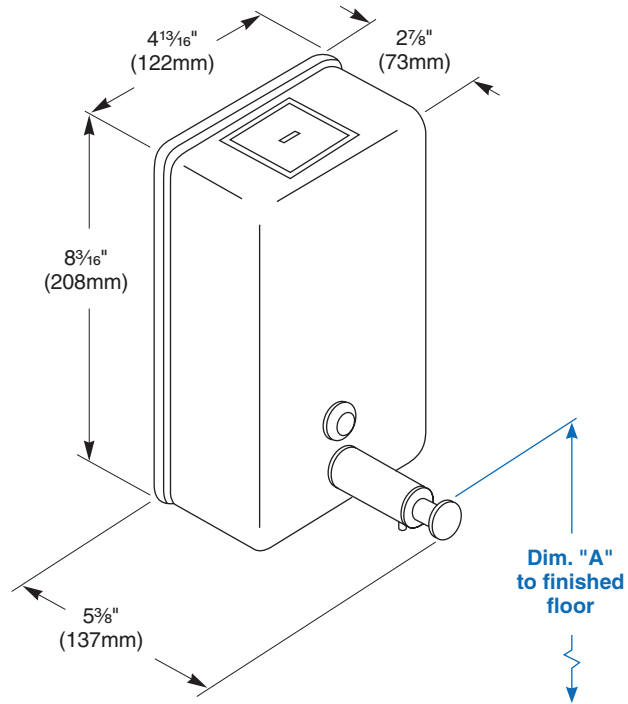
Orders composed of products indicated as **Bradex®** will be available to ship in three days after receipt of order at the factory. There is no pricing penalty for this service from Bradley.

Page 1 of 2 2/28/2011  
This information is subject to change without notice.  
Bradley\_SoapDispenser\_6562

© 2014 Bradley  
P.O. Box 309, Menomonee Falls, WI 53052-0309  
800 BRADLEY (800 272 3539) +1 262 251 6000  
bradleycorp.com



**Dimensions**



<b>Dim. "A" Key Surface:</b>	For Dim. "A"	Top of Unit	Bottom of Unit
Push button top to finished floor	40" (1016mm)	46 <sup>3</sup> / <sub>4</sub> " (1187mm)	38 <sup>1</sup> / <sub>2</sub> " (978mm)
	38" (965mm)	44 <sup>3</sup> / <sub>4</sub> " (1137mm)	36 <sup>1</sup> / <sub>2</sub> " (927mm)
	36" (914mm)	42 <sup>3</sup> / <sub>4</sub> " (1086mm)	34 <sup>1</sup> / <sub>2</sub> " (876mm)
	34" (864mm)	40 <sup>3</sup> / <sub>4</sub> " (1035mm)	32 <sup>1</sup> / <sub>2</sub> " (826mm)
<b>Rough wall opening:</b>			
Surface Mount:	No rough wall opening, see overall dimensions		

Orders composed of products indicated as **Bradex**® will be available to ship in three days after receipt of order at the factory. There is no pricing penalty for this service from Bradley.

Page 2 of 2  
 2/28/2011  
 This information is subject to change without notice.  
 Bradley\_SoapDispenser\_6562

© 2014 Bradley  
 P.O. Box 309, Menomonee Falls, WI 53052-0309  
 800 BRADLEY (800 272 3539) +1 262 251 6000  
 bradleycorp.com