



Auto Soap Dispenser

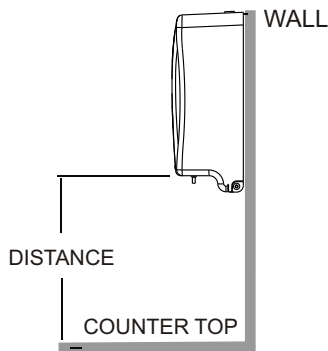
Model : 6A01-110000
6A02-110000

1. SPECIFICATIONS:

- Dimensions (W x H x D) {inches (mm)} 4.61 x 10.55 x 4.17 (117 x 268 x 106)
- Soap Tank Capacity {fl oz (ml)} 27.1 (800)
- Battery Type Required Alkaline (1.5V) AA size, Qty 4
- Battery Life Estimated 25,000 cycles or 1 year
- Detection Range Automatic 2.40 (60) ± 1.50 (38)
- Room Temperature {°F (°C)} 41 to 104 (5 to 40)
- Dispensing Volume {fl oz (ml)} Foam Soap (6A01-110000): 0.023 to 0.033 (0.7 to 1.0)
Liquid Sanitizer - Ethanol Solution (6A02-110000): 0.027 to 0.037 (0.8 to 1.1)
- Unit Net Weight empty {oz (kg)} 24.7 (0.7)
- Operation Mode Automatic from Sensor Trigger
- Supply Reservoir Types 850 ml

Auto-detecting sensing distance

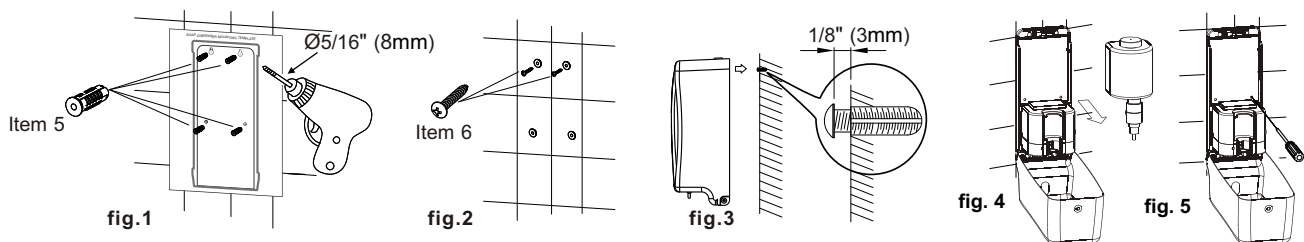
2. RECOMMENDED INSTALLATION:



DISTANCE (MINIMUM TYPICAL)
NORMAL COUNTER TOP
At least 7-7/8" inch (200 mm)

3.1 INSTALLATION STEPS, Tile or Dry Wall

1. Tape the installation template at the appropriate location on the mounting surface.
2. Drill four (4) holes at marked locations 5/16" diameter (Ø8).
3. Insert four (4) plastic anchors (supplied) into drilled holes; remove template (fig. 1).
4. Insert two (2) screws (supplied) into top plastic anchors and leave 1/8" (3) space from the wall under head (fig. 2 and fig. 3) for hanging dispenser.
5. Hang the dispenser on the two (2) screws through the keyhole slots at backplate top.
6. Use key to unlock and pull forward the housing cover (fig. 4).
7. Remove soap reservoir and lock dispenser to wall with remaining two (2) screws (supplied) through the holes at backplate bottom. Tighten all screws (fig. 5).



3.2 INSTALLATION STEPS, Adhesive on Mirror

1. Using isopropyl alcohol, clean the mounting surface area where the dispenser will be installed.
2. Mark outline of dispenser on mirror with masking tape.
3. Remove paper liners from self-adhesive pads on dispenser backplate.
4. Place unit on mounting surface with even steady pressure and hold for 1 minute.
5. Let tape cure for 10 hours prior to filling dispenser with soap for use.

4. OPERATION INSTRUCTIONS

1. Open housing with included security key.
2. Open cover on battery compartment, remove battery box and unplug cable.
Install four (4) new Alkaline Type AA 1.5V batteries with correct polarity (note the +/- indication) to obtain 6V DC \pm 10% at the plug.
3. Reinstall battery box and close compartment cover.
4. Remove, clean out and refill the included reusable soap reservoir with foam soap, ensure that soap container cover is closed, air vent hole is open and nozzle is not clogged.
The soap container should be clean (no spill over) and not leaking. Install the reusable reservoir into the dispenser. Make sure the nozzle flange is below the housing cradle rib to stretch the valve tube.
5. Make sure to latch the cradle gate.
6. Close the housing cover and lock it with the included security key previously retained.
7. Observe that the LED light is blue and then flashes four (4) times. This indicates that the environment has been detected. If there is no object under the dispenser, the default sensing distance is 3.15" to 3.93" (80mm to 100mm). If there is an object (such as a basin or counter) under the dispenser, the sensor will detect the installation height and environment light to set a suitable sensing distance automatically.
8. Trigger the sensor with hands or a towel to check proper soap dispensing cycle .

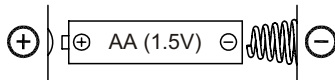
5. IMPORTANT NOTICE

1. Ensure no bright source is aimed or reflected at the sensor from below.
2. Use fresh new foam soap only and clean the soap container properly before each re-fill. Deposits of old soap will lead to malfunction and jamming.
3. Do not dilute foam soap unless concentrate and do not use soap containing abrasive. Observe indicated viscosity factor of foam soap.
4. Do not immerse the soap dispenser in water or clean it under running water. This will lead to short circuit.
5. Should the dispenser be out of order and batteries have been replaced, do not attempt any repair work. Call your dealer for professional assistance.

6. BATTERY LOW INDICATION

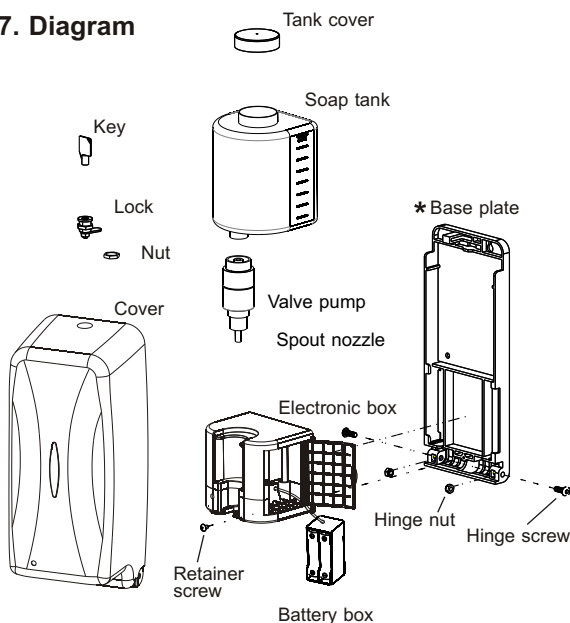
With housing cover open and soap reservoir removed (see Instructions) perform the following diagnostic test:

1. Press and push up the cover safety interlock switch (blue stem) on bottom to click and hold it.
2. Observe that the LED is lit blue and then flashes four (4) times indicating proper operation "stand-by" condition and battery charge level.
3. If LED continues to flash blue the indication is positive to replace the batteries.




Caution : Batteries installed with incorrect polarity may cause malfunction.

7. Diagram



8. Provided in kit

1. Key x 1 
2. Plastic Anchor x 4 
3. Mounting Screw x 4 
4. Mounting Template x 1 
5. Self-adhesive Tape x 3 