



### Model 591 – Partition-Mounted **Bradex**<sup>®</sup>

- Serves Two Compartments

### Product Materials

- CABINET:** 22 gauge stainless steel with exposed surfaces in architectural satin finish. Welded construction with burr-free edges.
- FLANGE:** 22 gauge stainless steel with exposed surfaces in architectural satin finish. One-piece seamless construction, 1" wide with ¼" return.
- DOOR:** 18 gauge stainless steel with full-length piano hinge and tumbler lock keyed like other Bradley units.
- PUSH FLAP DOOR:** 22 gauge stainless steel with exposed surfaces in architectural satin finish. Self-closing, with heavy-duty stainless steel piano hinge.
- WASTE RECEPTACLE:** leakproof molded plastic. 0.88 gal. capacity.
- SPINDLE:** polyethylene, non-removable by user.

### Capacity

Toilet Seat Cover Dispensers — 1,000 standard single-fold or half-fold toilet seat covers; Toilet Tissue Dispensers — four standard core toilet tissue rolls through 5¼" in diameter. Box of 500 waxed paper napkin disposal liners are available by ordering part number P11-022.

### Operation

Hinged access door permits servicing of components from one side.

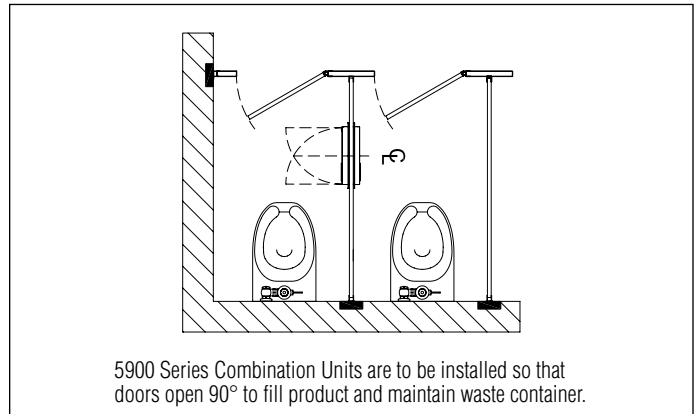
### Installation

Verify all rough-in dimensions prior to installation. Requires partition opening 15⅞"W x 28⅞"H. (Location of hole and dimensions should be noted in partition specifications.) Flanges adjustable for partitions from ⅜" to 2¾" thick. Remove one flange and install cabinet in partition opening flush against partition. Position flanges on both sides of cabinet and secure with mounting screws (included) at holes provided.

### Guide Specification

Partition mounting combination unit shall include toilet seat cover dispenser, toilet tissue dispenser, and napkin disposal, and be fabricated of heavy gauge stainless steel with seamless exposed surfaces in satin finish. Door and back panel shall be 18 gauge. Door shall have piano hinge and tumbler locks.

**Overall dimensions: 17⅞"W x 30⅝"H x 4½"D.**



5900 Series Combination Units are to be installed so that doors open 90° to fill product and maintain waste container.

### Product Compliance

- ICC ANSI A117.1, Citation 609.3



- Consult local and national accessibility codes for proper installation guidelines.
- Conformity and compliance to local and national codes is the responsibility of the installer.
- ADA requires a 1½" grab bar clearance to the wall. When fully recessed, this unit protrudes ¼" from the finished wall. A standard grab bar, when mounted over the unit, will not meet the ADA requirement of 1½".

Orders composed of products indicated as **Bradex**<sup>®</sup> will be available to ship in three days after receipt of order at the factory. There is no pricing penalty for this service from Bradley.

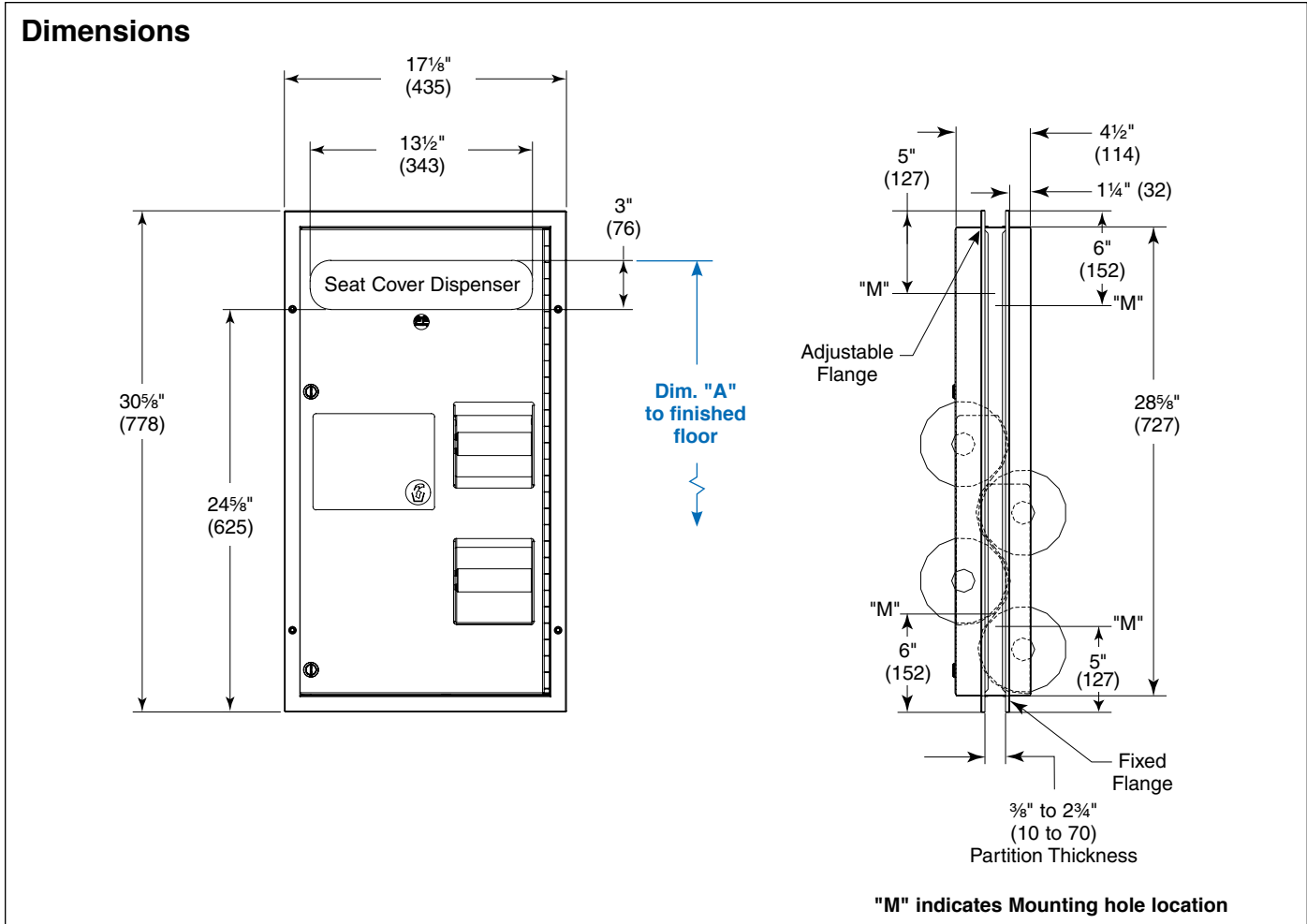
Page 1 of 2 7/30/2021  
This information is subject to change without notice.  
Bradley\_CombiDispenser\_591

[View Latest Version](#)

© 2021 Bradley  
P.O. Box 309, Menomonee Falls, WI 53052-0309  
800 BRADLEY (800 272 3539) +1 262 251 6000  
bradleycorp.com



Combination Unit – Seat Cover Dispenser/Dual Roll Tissue Dispenser/Waste Receptacle



Dim. "A" Key Surface:	For Dim. "A"	Top of Rough Wall Opening	Bottom of Rough Wall Opening	For Bottom Toilet Paper Opening Lower Lip @ Dim. "A"
Top of seat cover opening to finished floor	48" (1219)	49 1/2" (1257)	20 5/8" (524)	19 15/16" (506)
	45" (1143)	46 1/2" (1181)	17 5/8" (448)	16 15/16" (430)
	42" (1067)	43 1/2" (1105)	14 5/8" (371)	13 15/16" (354)
	40" (1016)	41 1/2" (1054)	12 5/8" (321)	11 15/16" (303)
<b>Rough wall opening:</b>				
Partition-Mount:	15 3/8" (391) Wide x 28 5/8" (734) High x Partition Thickness			

Orders composed of products indicated as **Bradex**® will be available to ship in three days after receipt of order at the factory. There is no pricing penalty for this service from Bradley.

Page 2 of 2  
 7/30/2021  
 This information is subject to change without notice.  
 Bradley\_CombiDispenser\_591

[View Latest Version](#)

© 2021 Bradley  
 P.O. Box 309, Menomonee Falls, WI 53052-0309  
 800 BRADLEY (800 272 3539) +1 262 251 6000  
 bradleycorp.com