



5262, 5263

Toilet Tissue Dispenser with Shelf

- Model 5262 — Single Roll
- Model 5263 — Double Roll **Bradex**<sup>®</sup>
- Dispenser with Shelf

**Product Materials**

**SHELF:** 18 gauge stainless steel with exposed surfaces in architectural satin finish. Front and side edges are 1/2". Radius on all corners.

**TISSUE DISPENSER:** 18 gauge stainless steel with exposed surfaces in architectural satin finish. Spindle(s) of ABS plastic with concealed spring.

**Capacity**

One (two) standard core 6" diameter toilet tissue roll(s).

**Operation**

Spindle(s) easily removed for servicing.

**Installation**

Verify all rough-in dimensions prior to installation. Secure dispenser with mounting screws (included) at holes provided.

**Optional Features**

Feature	Suffix
<input type="checkbox"/> Anti-theft spindle	-52

**Guide Specification**

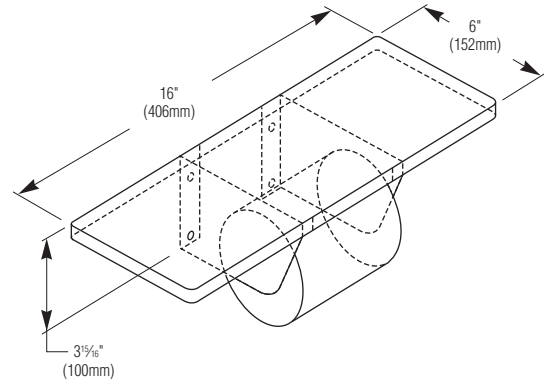
**Model 5262:** Toilet tissue dispenser with shelf shall be fabricated of 18 gauge stainless steel with exposed surfaces in architectural satin finish. Tissue dispenser to hold one standard core toilet tissue roll.

**Model 5263:** Toilet tissue dispenser with shelf shall be fabricated of 18 gauge stainless steel with exposed surfaces in architectural satin finish. Tissue dispenser to hold two standard core toilet tissue rolls.

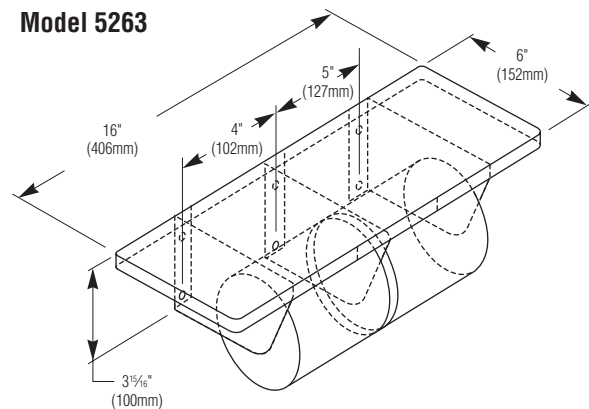
**Overall dimensions: 16"W x 3 15/16"H x 6"D.**



Model 5262



Model 5263



Orders composed of products indicated as **Bradex**<sup>®</sup> will be available to ship in three days after receipt of order at the factory. There is no pricing penalty for this service from Bradley.

Page 1 of 1  
 4/19/2013  
 This information is subject to change without notice.  
 Bradley\_TPDispenser\_5262\_5263

© 2014 Bradley  
 P.O. Box 309, Menomonee Falls, WI 53052-0309  
 800 BRADLEY (800 272 3539) +1 262 251 6000  
 bradleycorp.com