



- Model 5241 — **Bradex**[®]
- Controlled Delivery — Rocking Action
- Dual Roll (For Single Roll see Model 5071)

Product Materials

BRACKET: diecast aluminum.
SPINDLE: gray polystyrene. Stainless steel spring.

Capacity

Two standard core toilet tissue rolls through 5½" in diameter.

Operation

Remove tissue roll core to access special vandal-resistant locking mechanism for servicing. Stops on spindle control paper delivery. Spindle revolves only ½ turn for each dispensing operation and returns to original position.

Installation

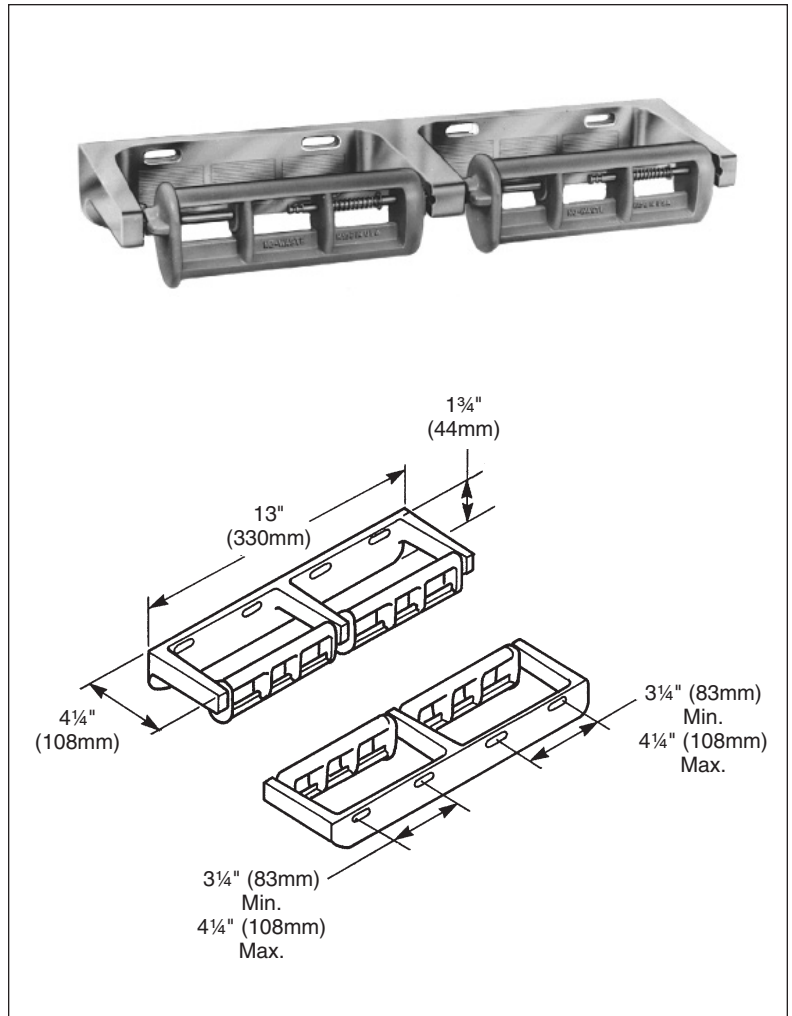
Verify all rough-in dimensions prior to installation. Secure to wall with mounting screws (included) at holes provided.

Optional Features

Feature	Suffix
<input type="checkbox"/> Non-controlled delivery Bradex [®]	-50

Guide Specification

Surface-mounted toilet tissue dispenser shall be diecast aluminum with satin finish and hold two standard core toilet tissue rolls. Stops control paper delivery.
Overall dimensions: 13"W x 1¾"H x 4¼"D.



Orders composed of products indicated as **Bradex**[®] will be available to ship in three days after receipt of order at the factory. There is no pricing penalty for this service from Bradley.

Page 1 of 1
 12/6/2012
 This information is subject to change without notice.
 Bradley_TPDispenser_5241

© 2014 Bradley
 P.O. Box 309, Menomonee Falls, WI 53052-0309
 800 BRADLEY (800 272 3539) +1 262 251 6000
 bradleycorp.com