



□ Model 522 — **Bradex**[®]

- Controlled Delivery
- Dual Roll (For Single Roll see Model 505)

Product Materials

UNIT: diecast zinc. Copper and nickel polished chrome-plated finish.

Capacity

Two standard core toilet tissue rolls through 5" in diameter and 4½" wide.

Operation

Push button unlocks support arms to permit servicing of unit. Tension spring on stationary arm controls paper delivery.

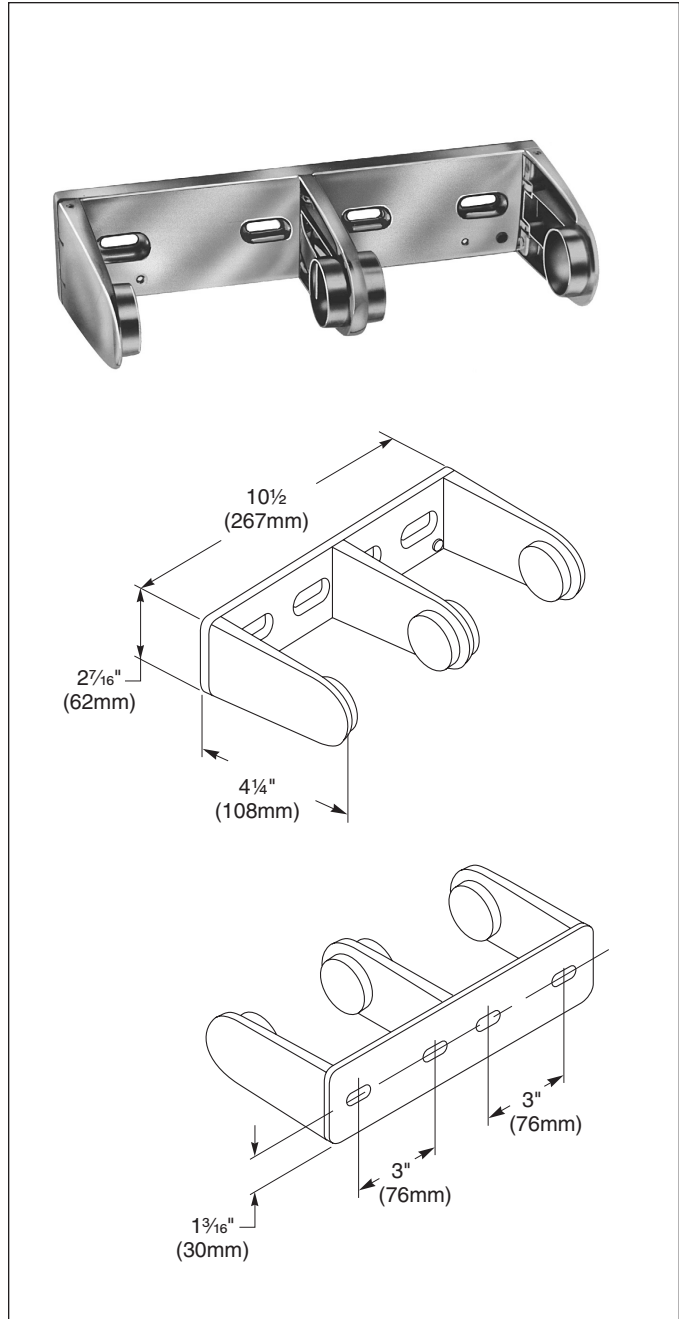
Installation

Verify all rough-in dimensions prior to installation. Secure to wall with mounting screws (included) at holes provided.

Guide Specification

Surface-mounted toilet tissue dispenser shall be chrome-plated diecast zinc and hold two standard core toilet tissue rolls. Tension spring controls paper delivery.

Overall dimensions: 10-1/2"W x 2 7/16"H x 4-1/4"D.



Orders composed of products indicated as **Bradex**[®] will be available to ship in three days after receipt of order at the factory. There is no pricing penalty for this service from Bradley.

Page 1 of 1 7/17/2017
This information is subject to change without notice.
Bradley_TPDispenser_522

© 2017 Bradley
P.O. Box 309, Menomonee Falls, WI 53052-0309
800 BRADLEY (800 272 3539) +1 262 251 6000
bradleycorp.com