



□ Model 505 — **Bradex**<sup>®</sup>

- Controlled Delivery
- Single Roll (For Dual Roll see Model 522)

**Product Materials**

**UNIT:** diecast zinc. Copper and nickel polished chrome-plated finish.

**Capacity**

One standard core toilet tissue roll through 5" in diameter and 4½" wide.

**Operation**

Push button unlocks support arms to permit servicing of unit. Tension spring on stationary arm controls paper delivery.

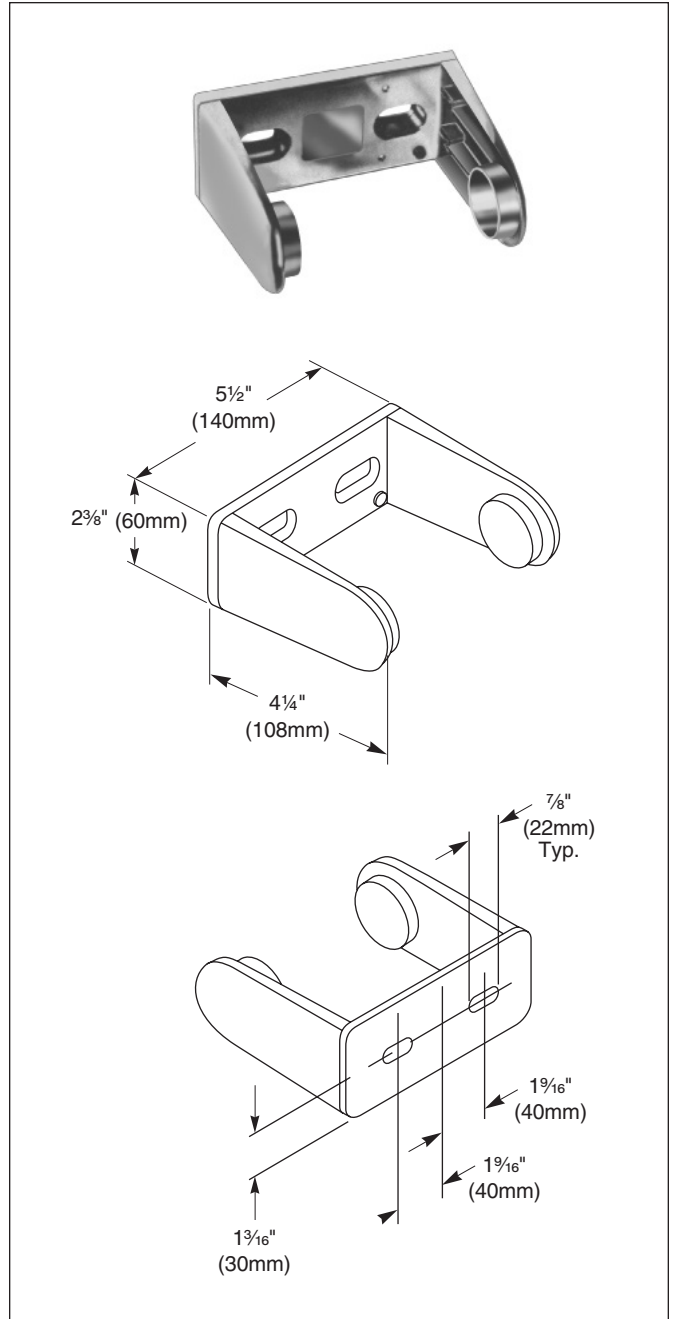
**Installation**

Verify all rough-in dimensions prior to installation. Secure to wall with mounting screws (included) at holes provided.

**Guide Specification**

Surface-mounted toilet tissue dispenser shall be chrome-plated diecast zinc and hold one standard core toilet tissue roll. Tension spring controls paper delivery.

**Overall dimensions: 5½"W x 2⅜"H x 4¼"D.**



Orders composed of products indicated as **Bradex**<sup>®</sup> will be available to ship in three days after receipt of order at the factory. There is no pricing penalty for this service from Bradley.

Page 1 of 1  
1/26/2011  
This information is subject to change without notice.  
Bradley\_TPDispenser\_505

© 2014 Bradley  
P.O. Box 309, Menomonee Falls, WI 53052-0309  
800 BRADLEY (800 272 3539) +1 262 251 6000  
bradleycorp.com