



**Model 4781-11 — Surface-Mounted**  
**Bradex®**

Standard Series — Satin Finish

**Product Materials**

**COVER:** 22 gauge stainless steel with exposed surfaces in architectural satin finish. Heavy-duty stainless steel piano hinge.

**CONTAINER:** 22 gauge stainless steel with exposed surfaces in architectural satin finish. All welded construction with rounded front corners.

**Operation**

Top opens for removal of waxed paper liner. Box of 500 waxed paper liners are available by ordering part number P11-022

**Installation**

Verify all rough-in dimensions prior to installation. Secure to wall or partition with mounting screws (not included) at holes provided.

**Guide Specification**

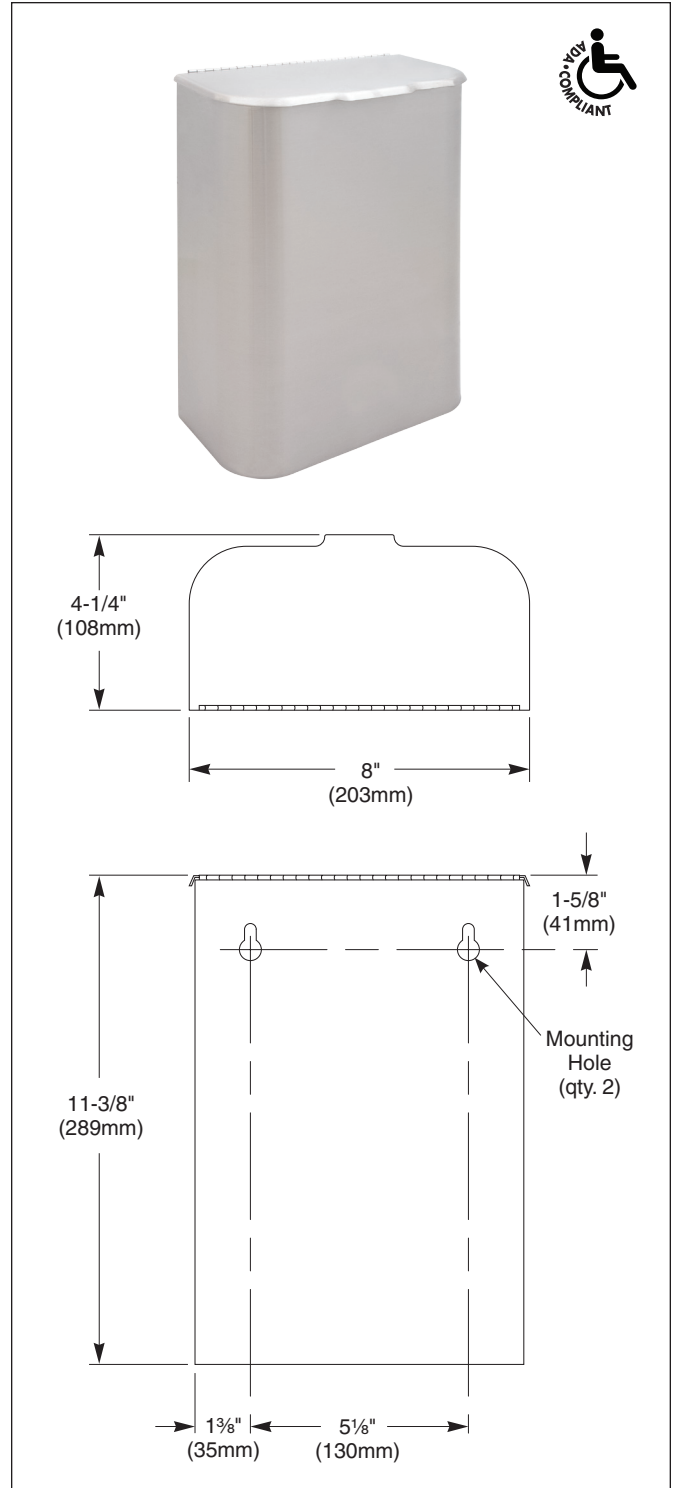
Surface-mounted napkin disposal shall be fabricated of 22 gauge stainless steel with exposed surfaces in satin finish. Top attached by piano hinge.

**Overall dimensions: 8"W x 11-3/8"H x 4-1/4"D.**

**ADA Compliant**

- Consult local and national accessibility codes for proper installation guidelines.
- Conformity and compliance to local and national codes is the responsibility of the installer.

Dim. "A" Key Surface:	For Dim. "A"	Top of Unit	Bottom of Unit
Waste receptacle top lip to finished floor	40" (1016mm)	40" (1016mm)	28½" (724mm)
	36" (914mm)	36" (914mm)	24½" (622mm)
	32" (813mm)	32" (813mm)	20½" (521mm)
<b>Rough wall opening:</b>			
Surface Mount:	No rough opening, see overall dimensions		



Orders composed of products indicated as **Bradex®** will be available to ship in three days after receipt of order at the factory. There is no pricing penalty for this service from Bradley.

Page 1 of 1 8/15/2017  
This information is subject to change without notice.  
Bradley\_WasteReceptacle\_4781-11

© 2017 Bradley  
P.O. Box 309, Menomonee Falls, WI 53052-0309  
800 BRADLEY (800 272 3539) +1 262 251 6000  
bradleycorp.com