



**Technical Data**

**COUNTER-MOUNTED  
DESIGNER SERIES  
AUTOMATIC FAUCET**

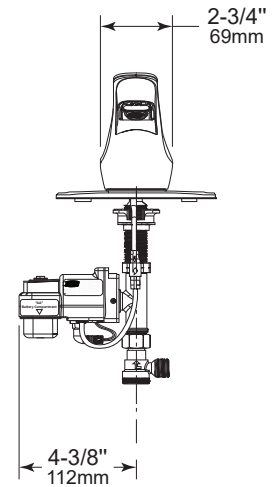
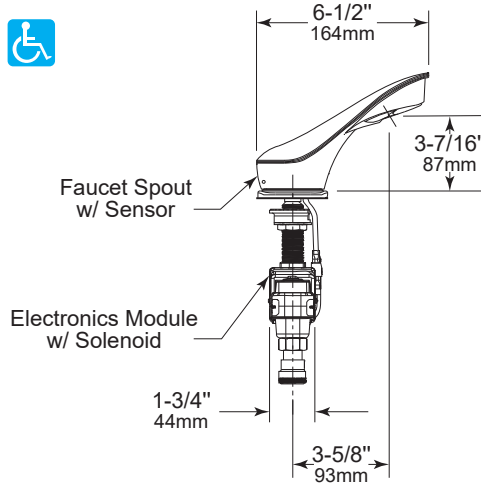
**B-887\_**

**Specify Finish Required:**

- B-8870 Polished Brass
- B-8872 Matte Black
- B-8875 Brushed Nickel
- B-8876 Polished Nickel
- B-8878 Polished Chrome



Patented



**MATERIALS:**

**Spout Assembly** — Spout is made of one-piece heavy-duty cast brass available in five different finishes. Built in IR sensor with sophisticated automatic user detection and self-calibration ensures the user does not need to touch the faucet and helps deliver optimum water savings. See Finishes below.

Finish Type	Model No.
Polished Brass	B-8870
Matte Black	B-8872
Brushed Nickel	B-8875
Polished Nickel	B-8876
Polished Chrome	B-8878

**Aerator and Key** — Use key to install aerator into spout.

**Shank Mounting Kit** — Below the sink, plastic shank and gasket secures spout assembly to counter.

**Electronics Box with Solenoid** — Controlled by IR sensor, opens and closes the flow of water to the unit. 4 “AA” Battery Pack comes standard with unit and is housed in the Electronics Box.

**Filter** — Installed to bottom of electronics box and connects to water line to help prevent debris and other materials from clogging unit or causing a malfunction.

**Optional** — 6V AC Adapter. For AC adapter option, must order both parts, part no. 8878-72 AC Power Converter and 8878-73 Inline Connector.

**OPERATION:**

To activate faucet, place hand under spout near the sensor for approximately 1 second. Water will flow from spout at a rate of 0.5 gallons per minute (GPM) for a specified length of time determined by the mode in which the device is set to. The default mode is Sensing Mode where water will flow from spout until hands are removed from sensor or after automatic shut off time of 30 seconds.

continued . . .

**INSTALLATION:**

Recommended through hole diameter to properly mount the spout/shank is 1 1/8" (32mm) to 1 1/4" (38mm). Refer to installation instructions (form no. 8878-69) available on website and included with shipments of faucets for specific information on how to install units.

**Note:** Before installation, turn off water supplies to existing faucet and remove faucet if replacing an existing device. Clean the faucet basin and clear away debris. Flush all supply lines before connecting the faucet. Failure to do so may result in debris clogging the inlets and/or internal control and mixing valve.

**Plumbing Accessories Not Included:** Temperature mixing valve, mixing tee, and water supply hose are not included in the Designer Series Faucet.

**SPECIFICATIONS:**

Designer Series Counter-Mounted Faucet shall be an ADA compliant automatic, touch-free sensor faucet. Spout is made of one-piece heavy-duty cast brass available in five different finishes. Unit shall offer adjustable operational modes for line purge function, an adaptable sensor range, flow time, sensing mode, and metering mode. Unit shall use an Infrared Convergence type proximity sensor to detect occupant hands and trigger the water flow for hygienic, hands-free operation. Faucet has an automatic shut-off feature after 30 seconds if hand is not removed or object remains in sensor field to prevent water spills and reduce excessive water use. Patented faucet includes an inline filter and is powered by 4 "AA" batteries (voltage range of 6 VDC Series) with an optional AC adapter. The Sensor activation range shall be self-calibrated, dependent upon sink depth and finish. The Operating Water Pressure shall be in a range of 10-125 PSI (70-850kPA). The Operational Water Temperature shall be in the range of 33°F to 140°F (1°C to 60°C). The Flow Rate shall be in the range of 0.5 GPM/ 1.9 LPM Vandal resistant non-aerated. For LEED Compliance on flow rate, refer to your local codes.

**Designer Series Counter-Mounted Faucet shall be \_\_\_\_\_ (insert model number) of Bobrick Washroom Equipment, Inc., Clifton Park, New York; Jackson, Tennessee; Los Angeles, California; Bobrick Washroom Equipment Company, Scarborough, Ontario; Bobrick Washroom Equipment Pty. Ltd., Australia; and Bobrick Washroom Equipment Limited, United Kingdom.**