



Technical Data

**TrimLineSeries™
RECESSED AUTOMATIC
HAND DRYER**

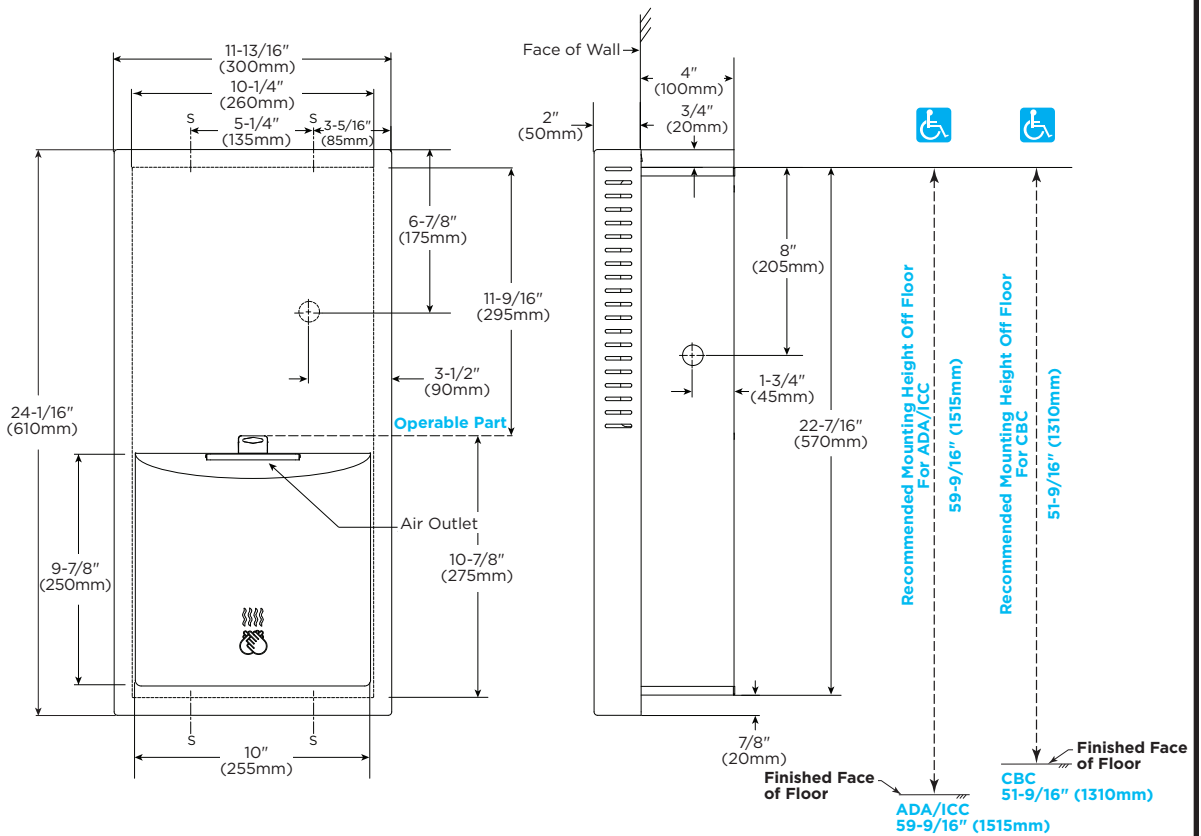
B-3725

Specify Voltage Required:

- B-3725 115V** - 115V AC, 8.5 Amp, 1000 Watts, 50/60 Hz, Single Phase, cULus Listed.
- B-3725 230V** - 208–240V AC, 4.0–4.4 Amp, 1000 Watts, 50/60 Hz, Single Phase, cULus Listed and CE marked. Meets Electrical Safety Requirement AS/NZS 600335.

Specify Finish Required:

- Stainless Steel, Satin Finish
- Matte Black Finish, please add suffix ".MBLK"



Rough Wall Opening
 10-7/8" (277mm) wide
 23" (585mm) high
 4" (100mm) minimum recessed depth

ADA/CBC Installation Guidance
 *Operable Part: Hand dryer sensor
Maximum mounting height of Operable Part:
 ADA/ICC: 48" maximum above finished floor (AFF)
 CBC: 40" maximum above finished floor (AFF)
 *For more information regarding operable parts, please refer to Bobrick Planning Guide for Accessible Restrooms, page 9.

MATERIALS:

Cabinet — 18-8, type-304, heavy-gauge stainless steel. All-welded construction. Exposed surfaces have satin finish.

Cover — 18-8, type-304, 18-gauge (1.2mm) stainless steel with a projection of 2" (51mm) from the wall. Corners are welded for maximum rigidity. Equipped with air inlets on sides. Secured to cabinet with two vandal-resistant screws.

Hand Drying Alcove — 9-7/8" H (250mm) x 10" W (255mm) x 6" D (150mm), curved back with a ceramic water absorbent surface to capture and evaporate excess water.

continued . . .

Motor/Fan — Thermally protected, Universal, 1/7 hp, 8000 rpm motor, on resilient mounting.

Heating Element — Coiled Nichrome heating element mounted on a mica frame, protected by integral automatic thermal overload device. Heats air without hot spots and remain inaccessible to vandals.

Electronic Control — Activation sensor mounted on cover. Infrared sensor is equipped with an LED that flashes green when the dryer is ready, solid green when the dryer is being used and red when the dryer is not ready for operation.

Air Outlet — Black plastic air nozzle assembly attached to the dryer.

OPERATION:

No-touch operation: Infrared sensor monitors the activation zone. LED flashes green and flash when dryer is ready for use. LED is red when dryer is not ready. The dryer will turn on when hands are held under air-outlet and in the designated drying alcove. When hands are removed from path of sensor, the dryer will stop. Electronic control has automatic shutoff approximately 1 minute after dryer turns on if an inanimate object is placed in the activation zone. After inanimate object is removed, electronic control automatically resets itself and dryer operates normally. Dryer motor will never be allowed to get hotter than 70°C.

5-Year Limited Warranty — This warranty is limited to the repair or exchange of defective dryer parts. Motor brushes are warranted for 3 years; Ceramic water absorbent surface 1 year; all other parts 5 years from date of purchase. See Installation Instruction Sheet, Form No. 3725-69, for full details.

INSTALLATION:

Provide framed rough wall opening 10-7/8" (277mm) wide x 23" (585mm) high. Minimum recessed depth required from finish face of wall is 4" (100mm). Allow clearance for construction features that may protrude into rough wall opening from opposite wall. Coordinate with mechanical engineer to avoid pipes, vents, and conduits. If unit projects above top of wainscot, provide aluminum channel or other filler to eliminate gap between flange and finish face of wall. Mount unit in wall opening with shims between framing and cabinet at all points indicated by an S, then secure unit with #8 x 1-1/4" (4.2 x 32mm) sheet-metal screws (not furnished).

Dryer Wiring Instructions:

1. For 115-Volt Dryers — Connect ground wire to ground terminal marked \equiv , the black or hot wire to terminal marked L1, and neutral or white wire to terminal marked N. A DEDICATED LINE IS REQUIRED FOR EACH 115-VOLT INSTALLATION.

2. For 208-240-Volt Dryers — Connect ground wire to ground terminal marked \equiv and the 208- or 240-volt wires to terminal marked L1 and L2.

Notes: Electronic sensor may detect movement within 4" (100mm) of air-outlet nozzle. Use caution when choosing installation location. Consider proximity to doorways and other traffic areas. For installation instructions that include step-by-step installation procedures and details of electrical service connections, see Form No. 3725-69. This form is also available upon request.

Replacement Parts:

Absorbent Material	3725-23
Door	3725-53
Motor Brushes	700-121

SAFETY WARNING:

Installation and wiring must conform to current local regulations and building codes. Unit must be installed by a qualified electrician. Turn off electrical power supply before making electrical connections. If the unit fails or malfunctions, it should be disconnected from the power supply and a qualified electrician should be called.

SPECIFICATION:

Recessed Automatic Hand Dryer with a 6" deep drying alcove to capture dripping water shall be type-304 stainless steel with all-welded construction; exposed surfaces shall have satin finish. Cover shall be 18-gauge (1.2mm) with a 2" (51mm) projection from the wall. All welded corners secured to cabinet with vandal-resistant screws. Directed air nozzle shall prevent dryer from splashing water on the floor and or user. Hand drying alcove is equipped with a ceramic water absorbent surface to capture and evaporate water. Fan housings shall be fire-retardant molded black plastic. Motor shall be 1/7 hp, universal type equipped with automatic thermal-overload switch. Heating elements shall be located on outlet side of fan, shall heat air without hot spots, be inaccessible to vandals, and protected by an automatic thermal-overload switch. Dryer shall turn off automatically when hands are removed. LED will flash green when the dryer is ready, is solid green when the dryer is being used and is solid red when the dryer is not ready. Unit shall be CE marked and cUL listed. Unit shall be protected by a limited 5-year warranty from date of purchase on all parts except motor brushes and absorbent material.

Recessed, Automatic Hand Dryer shall be Model B-3725 of Bobrick Washroom Equipment, Inc., Clifton Park, New York; Jackson, Tennessee; Los Angeles, California; Bobrick Washroom Equipment Company, Scarborough, Ontario; Bobrick Washroom Equipment Pty. Ltd., Australia; and Bobrick Washroom Equipment Limited, United Kingdom.