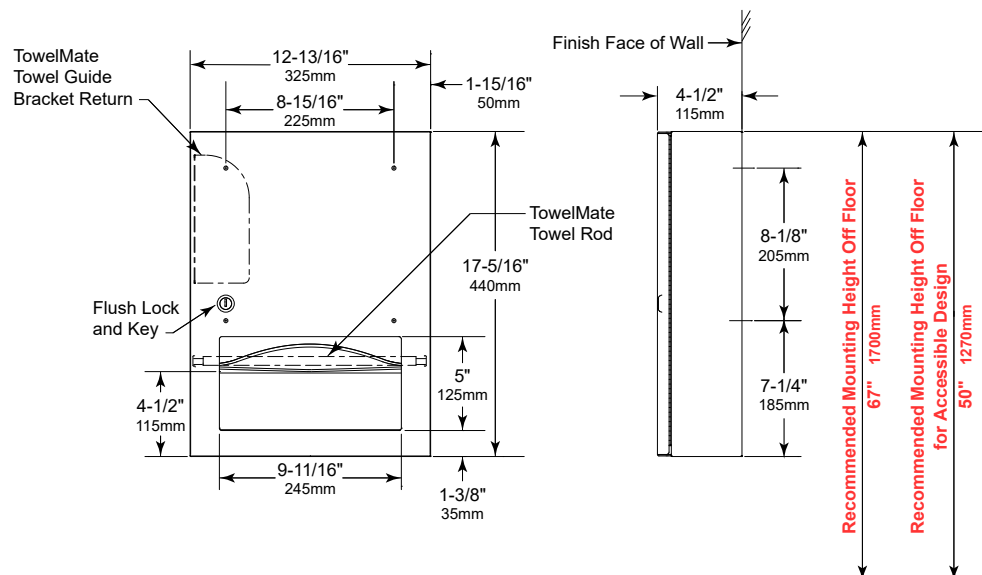




## Technical Data

# TrimLineSeries™ SURFACE-MOUNTED PAPER TOWEL DISPENSER

# B-359039



### MATERIALS:

**Cabinet** — 18-8, Type-304, heavy-gauge stainless steel. All-welded construction. Exposed surfaces have satin-finish.

**Skirt** — 18-8, Type-304, stainless steel with satin-finish.

**Door** — 18-8, Type-304, 18-gauge (1.2mm) stainless steel with satin-finish. Secured to cabinet with a concealed, full-length stainless steel piano-hinge. Equipped with a tumbler lock keyed like other Bobrick washroom accessories. Tumbler locks flush with the door - no protrusion.

**Paper Towel Dispenser** — 18-8, Type-304, 22-gauge (0.8mm) stainless steel. Capacity: 300 C-fold or 400 multifold paper towels. Unit equipped with TowelMate consisting of a 90° return towel guide angle inside cabinet to prevent paper towels from falling forward out when door is opened for servicing

**TowelMate® Towel Rod Assembly** — Consisting of a round Nylon Rod and (2) stainless steel Rod Screws for attachment, is field replaceable. Stainless steel Stop Screws (2) lock TowelMate Rod assembly in place. To retrofit TowelMate into existing installed units manufactured prior to Feb. 2021, order TowelMate Accessory Bobrick Model No. 369-130.

### OPERATION:

Paper towel dispenser accommodates C-fold and multifold paper towels without adjustment or use of adapters. Door-swing limiter prevents damage to washroom accessories and walls.

### INSTALLATION:

Mount unit on wall with four #10 x 1-1/4" (4.8 x 32mm) sheet-metal screws (not furnished) at points indicated by an S. For plaster or dry wall construction, provide concealed backing to comply with local building codes, then secure unit with sheet-metal screws. For other wall surfaces, provide fiber plugs or expansion shields for use with sheet-metal screws, or provide 3/16" (5mm) toggle bolts or expansion bolts. If unit projects above top of wainscot, provide aluminum channel or other filler to eliminate gap between cabinet and finish face of wall.

### Replacement Parts:

Skirt Kit 359039-53  
Door Replacement Kit 359039-173

### SPECIFICATION:

Surface-mounted paper towel dispenser shall be Type-304 stainless steel with all-welded construction; exposed surfaces shall have satin finish. Unit equipped with TowelMate consisting of a 90° return towel guide angle inside cabinet to prevent paper towels from falling forward out when door is opened for servicing and a Nylon Rod across the center of the towel tray to dispense paper towels one at a time. Door shall be Type-304, 18 gauge (1.2mm) secured to cabinet with a concealed, full-length stainless steel piano-hinge; and equipped with a stainless steel cable door-swing limiter and a tumbler lock keyed like other Bobrick washroom accessories. Tumbler locks flush with the door - no protrusion. Paper towel dispenser shall be 18-8, Type-304, 22-gauge (0.8mm) stainless steel. Capacity: 300 C-fold or 400 multifold paper towels.

**Surface-Mounted Paper Towel Dispenser shall be Model B-359039 of Bobrick Washroom Equipment, Inc., Clifton Park, New York; Jackson, Tennessee; Los Angeles, California; Bobrick Washroom Equipment Company, Scarborough, Ontario; Bobrick Washroom Equipment Pty. Ltd., Australia; and Bobrick Washroom Equipment Limited, United Kingdom.**