

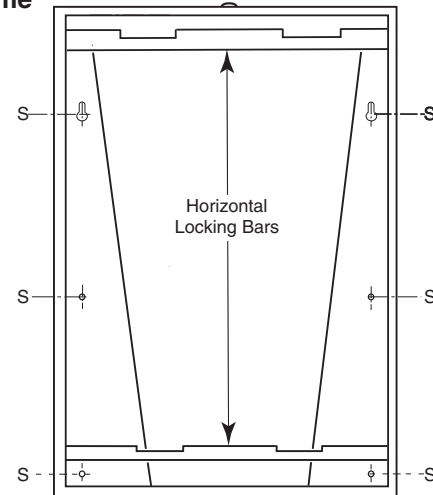
INSTRUCTIONS FOR INSTALLATION

BOBRICK MODEL B-293 OR GAMCO FT-SERIES TILT MIRROR WITH STAINLESS STEEL FRAME

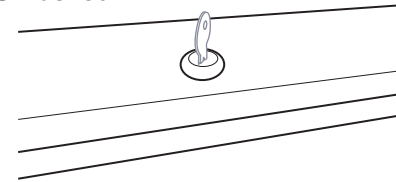
1. Mount Wall Frame vertically on wall with 4 or 6 screws (not furnished):
 - a. For plaster or drywall construction, provide backing in wall to comply with local building codes, then secure Wall Frame with screws through mounting holes in concealed wall hanger at points indicated by an S.
 - b. When providing backing in wall, allow backing to cover area of mounting holes in Wall Frame.
 - c. For other wall surfaces, provide fiber plugs or expansions shields for use with screws, or provide 1/8" (3mm) toggle bolts or expansion bolts.

2. Make sure tumbler Lock at top of Wall Frame is in unlocked position, with Lock Cam not facing forward.

Wall Frame

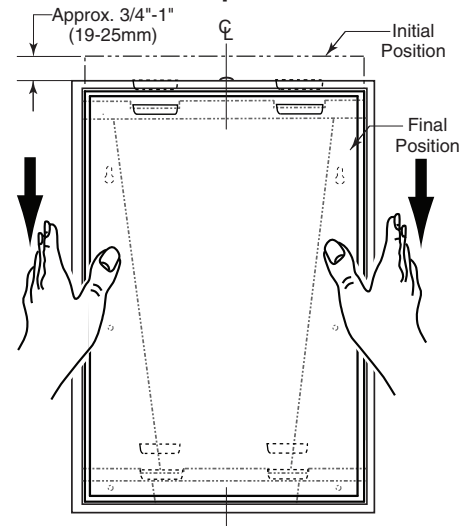


Top View Unlocked

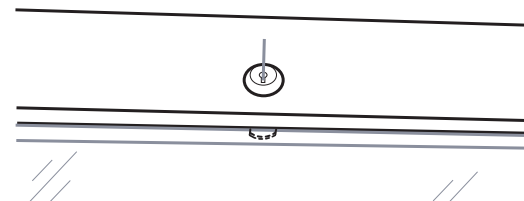


3. Mount Angle Frame Mirror onto Wall Frame:
 - a. Hang Mirror on Wall Frame with four mating slots in mirror backplate louvers engaged behind horizontal Wall Frame locking bars.
 - b. To do this, the Mirror must be centered in front of the Wall Frame horizontally, pressed flat against the face of the Wall frame approximately 3/4" to 1" (19 to 25mm) above final position and then lowered into final position.
 - c. Final position of the Mirror, fully engaged, should align it with the perimeter of the Wall Frame.

Wall Frame with Mirror in place



Top View Locked



BUILDING VALUE SINCE 1906

In the United States: **BOBRICK WASHROOM EQUIPMENT, INC.**

200 Commerce Drive, Clifton Park, NY 12065-1350 • Telephone: (518) 877-7444 • FAX: 518-877-5029
6901 Tujunga Ave., North Hollywood, CA 91605-5882 • Telephone: (818) 982-9600 • FAX: 818-503-1102
or email customerservice@bobrick.com

In Canada: **BOBRICK WASHROOM EQUIPMENT COMPANY**

45 Rolark Drive, Scarborough, Ontario M1R 3B1 • FAX: (877) 423-8555