

# Installation

## AV90

### Advocate™ Lavatory System – AV-Series

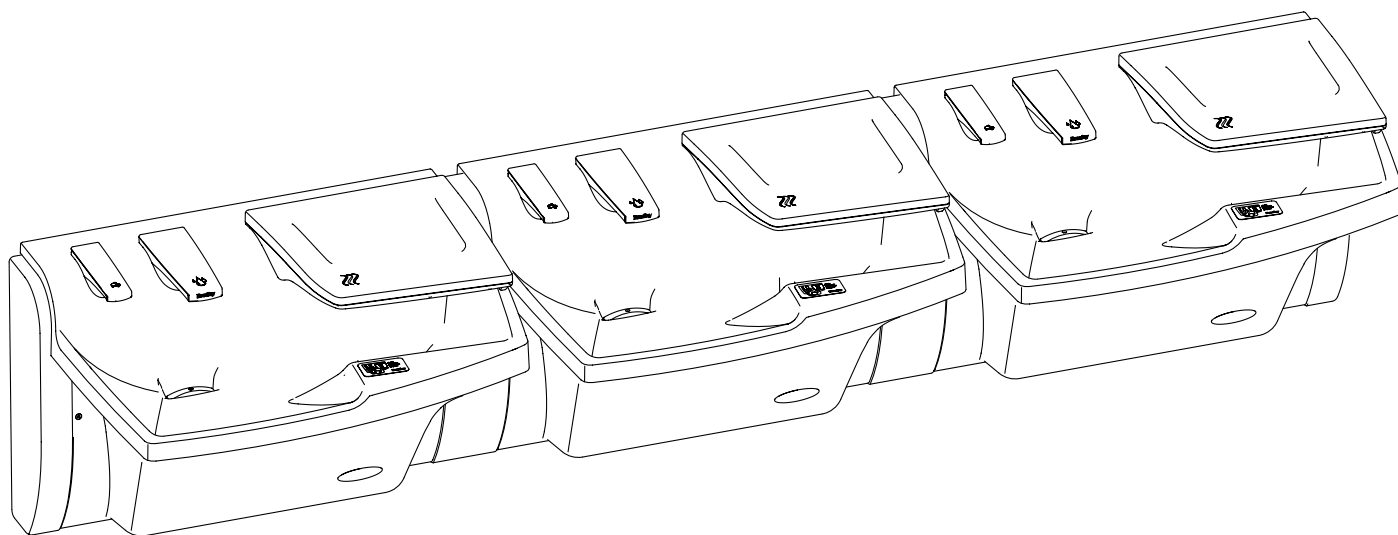
U.S. Patent No. D663,016; D674,967  
Other Patents Pending

### Système de toilette Advocate™ – Série AV

Brevet américain n° D663,016; D674,967  
Autres brevets en instance

### Sistema de lavabo Advocate™ – Serie AV

Patente de EE. UU. N° D663,016; D674,967  
Otras patentes pendientes



## Table of Contents

Pre-Installation Information . . . . .	3
Components . . . . .	4-6
Dimensions . . . . .	7-8
Rough-Ins . . . . .	9-10
Frame and Bowl Assembly . . . . .	11
Drain and P-trap . . . . .	11
Faucet Supply Tube Assembly . . . . .	12
Dryer Plenum Air Hose Assembly . . . . .	13
Soap and Dryer Plug-Ins . . . . .	14
Valve Assembly . . . . .	15-16
Transformer and Dryer Plug-In . . . . .	17
Filling Soap Tank and Priming the Soap Spout . . . . .	17
Adjust the Temperature . . . . .	18
Dryer Activation . . . . .	18
Trap Cover . . . . .	19
For Service: Soap and Dryer Plug-Ins . . . . .	20
For Service: Dryer Hood Reinstallation . . . . .	21
For Service: Faucet Connections . . . . .	21
Cleaning and Maintenance . . . . .	22-23
Troubleshooting . . . . .	24-29

## Table des matières

Avant l'installation . . . . .	30
Composants . . . . .	31-33
Dimensions . . . . .	34-35
Raccordements . . . . .	36-37
Montage du bâti et de la vasque . . . . .	38
Écoulement et siphon en P . . . . .	38
Montage du tube d'alimentation du robinet . . . . .	39
Montage du tuyau d'air de plénum de sèche-mains . . . . .	40
Branchements du distributeur de savon et du sèche-mains . . . . .	41
Montage des vannes . . . . .	42-43
Branchement du transformateur et du sèche-mains . . . . .	44
Remplissage du réservoir de savon et amorçage du distributeur de savon . . . . .	44
Régler la température . . . . .	45
Activation du sèche-mains . . . . .	45
Couvre-siphon . . . . .	46
Entretien : Branchements du distributeur de savon et du sèche-mains . . . . .	47
Entretien : Remontage du capot de sèche-mains . . . . .	48
Entretien : Raccordement du robinet . . . . .	48
Nettoyage et entretien . . . . .	49-50
Dépannage . . . . .	51-56

## Contenido

Información previa a la instalación . . . . .	57
Componentes . . . . .	58-60
Dimensiones . . . . .	61-62
Colocación de tuberías empotradas . . . . .	63-64
Conjunto de estructura y palangana . . . . .	65
Desagüe y sifón en P . . . . .	65
Conjunto de tubo de suministro de la llave . . . . .	66
Conjunto de manguera de aire de la cámara impelente del secador . . . . .	67
Elementos instalables de jabón y secador . . . . .	68
Conjunto de la válvula . . . . .	69-70
Elemento instalable de transformador y secador . . . . .	71
Llenado del tanque de jabón y cebado del dispensador de jabón . . . . .	71
Ajuste la temperatura . . . . .	72
Activación del secador . . . . .	72
Cubierta del sifón . . . . .	73
Para realizar mantenimiento: Elementos instalables de jabón y secador . . . . .	74
Para realizar mantenimiento: Reinstalación de la cubierta del secador . . . . .	75
Para realizar mantenimiento: Conexiones de la llave . . . . .	75
Limpieza y mantenimiento . . . . .	76-77
Solución de problemas . . . . .	78-83

## WARNING

Make sure that all water supply lines have been flushed and then completely turned off before beginning installation. Debris in supply lines can cause valves to malfunction.

Turn OFF electrical power to the electrical outlets, then unplug all electrical units prior to installation. Electrical power **MUST** remain off until installation is complete. After installation is complete, turn on the water supply first, then turn on the electrical power.

Installer's hardware must be appropriate for wall construction. Wall anchors must have a minimum pull-out rating of 1,000 pounds.

## IMPORTANT

Read this entire installation manual to ensure proper installation. When finished with the installation, file this manual with the owner or maintenance department. Compliance and conformity to local codes and ordinances is the responsibility of the installer. Product warranties may be found under "Products" on our website at [www.bradleycorp.com](http://www.bradleycorp.com).

Separate parts from packaging and make sure all parts are accounted for before discarding any packaging material. If any parts are missing, do not begin installation until you obtain the missing parts.



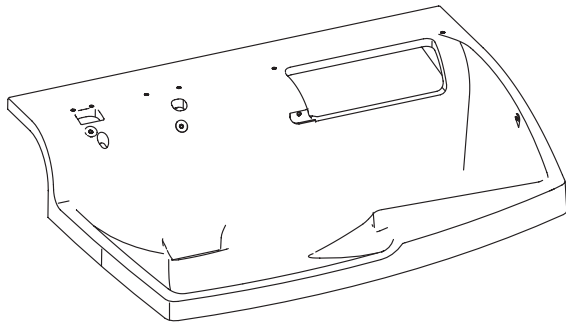
**To Reduce The Risk Of Fire Or Electric Shock, DO NOT Use This Fan With Any Solid-State Speed Control Device!!**

## NOTICE

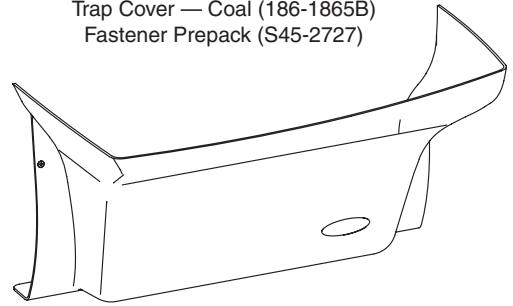
**With supervision or instruction, this device may be used by preschool aged children and persons with special needs.**

**This is not a toy. Cleaning and maintenance shall only be performed by qualified personnel.**

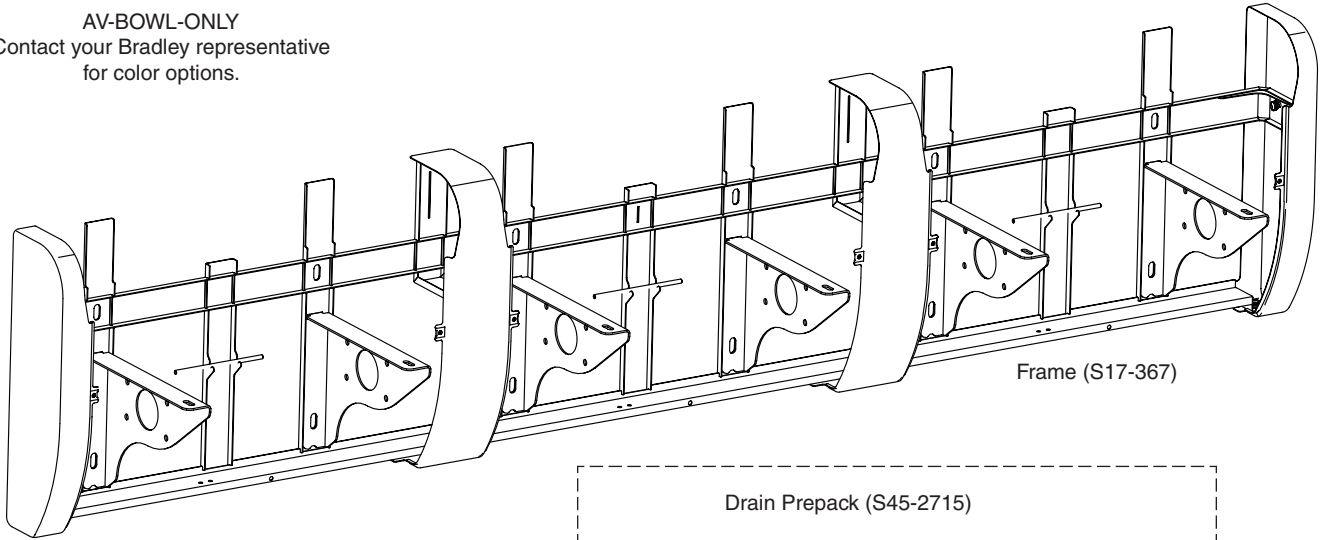
# Components



Trap Cover — Coal (186-1865B)  
Fastener Prepack (S45-2727)



AV-BOWL-ONLY  
Contact your Bradley representative  
for color options.



Frame (S17-367)

Hardware Prepack Bowl/Frame (S45-2732)

- Washer, 1" Dia. (142-002CG)
- Washer, Square (142-136)

Hardware Prepack (S45-1794)

Drain Prepack (S45-2715)

Drain, Cap & Strainer Prepack (S45-2714)

Drain Adapter Prepack (S45-2480)

120VAC/12VDC Soap/Faucet Power Adapter (261-147A)

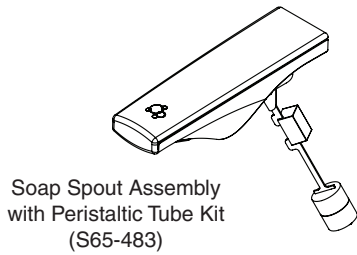
230VAC/12VDC Soap/Faucet Power Adapter (261-154)

120V Dryer Power Cord (S83-210NA)

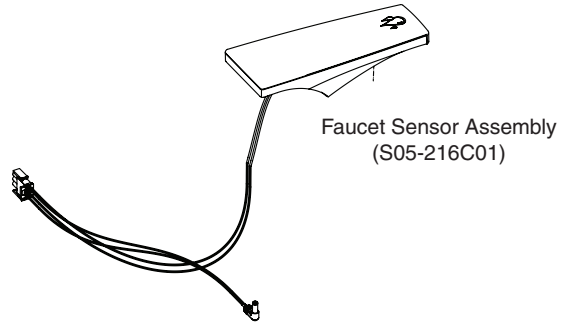
230V Dryer Power Cord (S83-210UK)



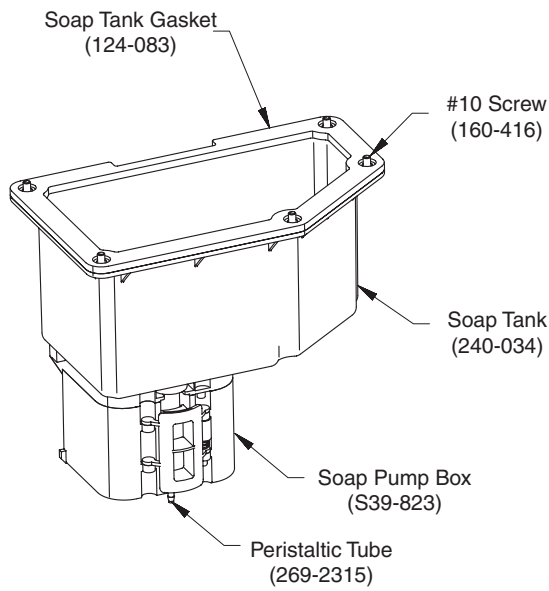
# Components



Soap Spout Assembly  
with Peristaltic Tube Kit  
(S65-483)



Faucet Sensor Assembly  
(S05-216C01)



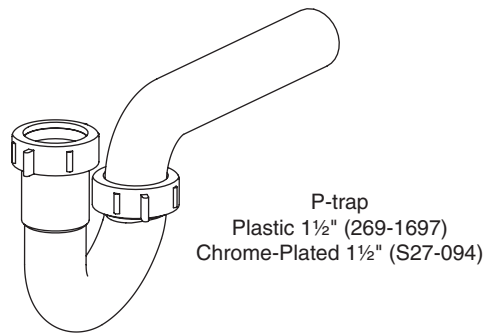
Soap Tank Gasket  
(124-083)

#10 Screw  
(160-416)

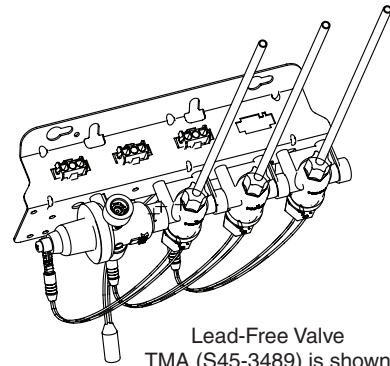
Soap Tank  
(240-034)

Soap Pump Box  
(S39-823)

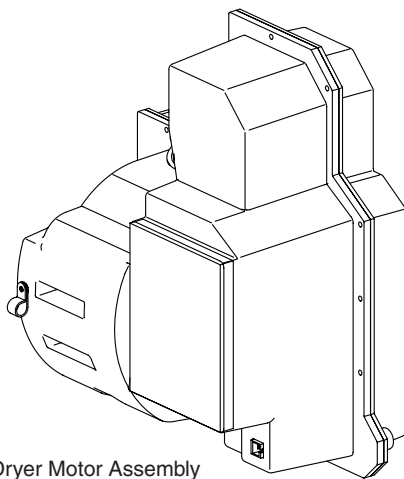
Peristaltic Tube  
(269-2315)



P-trap  
Plastic 1½" (269-1697)  
Chrome-Plated 1½" (S27-094)

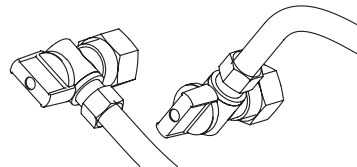


Lead-Free Valve  
TMA (S45-3489) is shown  
TL (S45-3488) is similar



Dryer Motor Assembly  
(Hand Dryer Electric Fan)  
120V (S39-835)  
230V (S39-836)

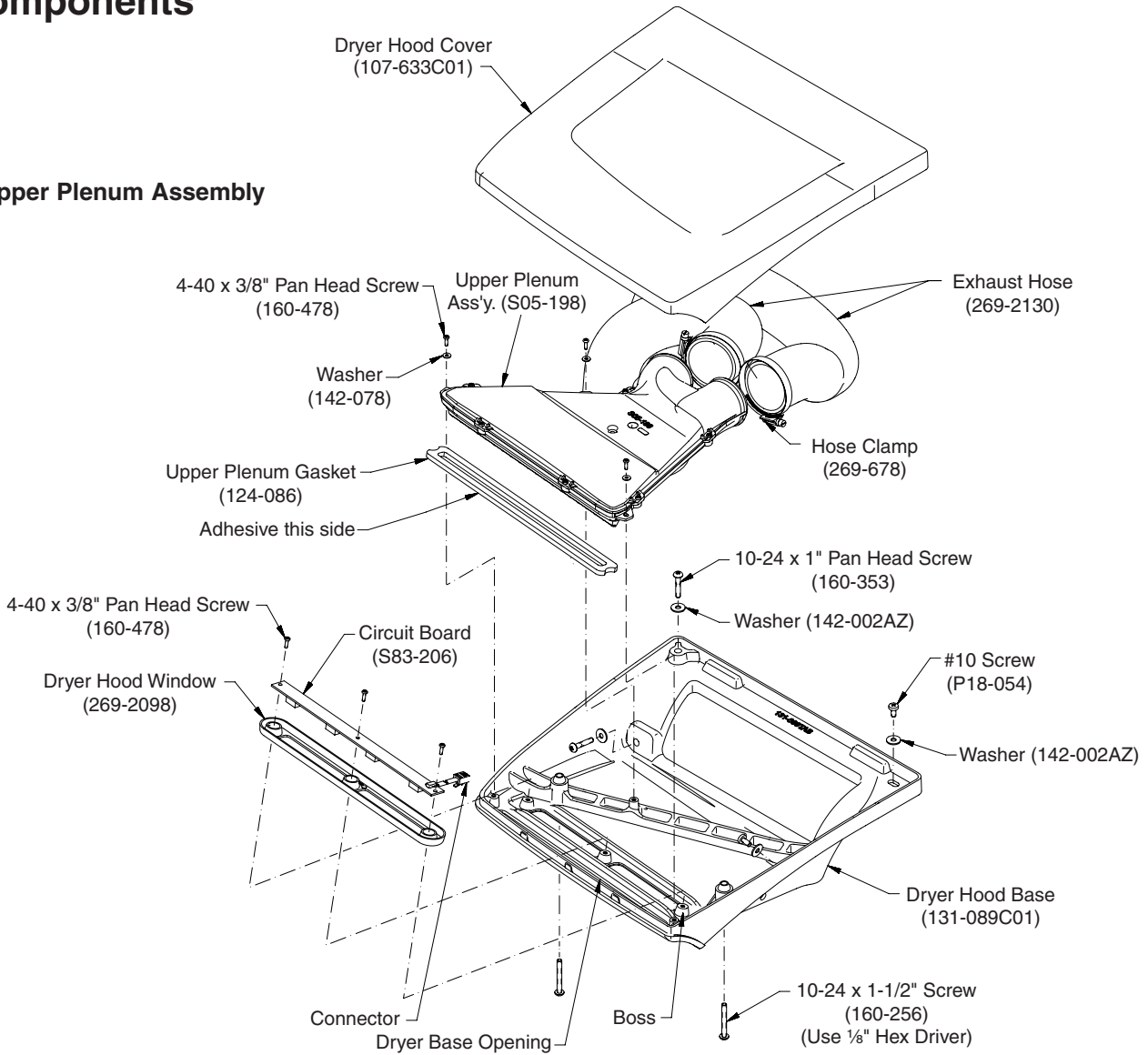
Replacement Filter - Dryer  
(269-2128)



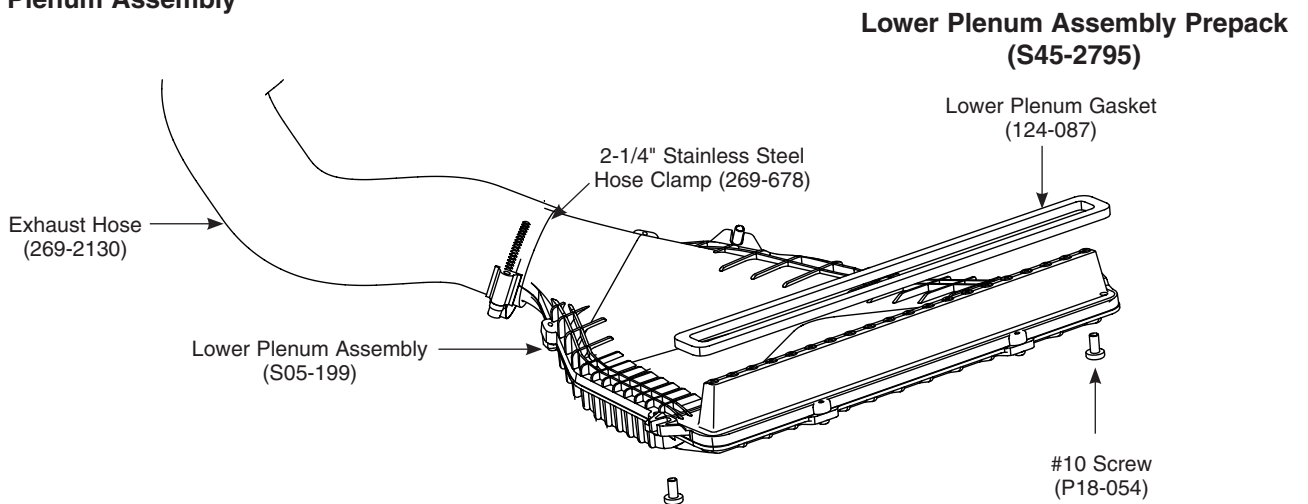
Stops/Hoses Prepack (Lead-Free)  
TMA (S45-2730)  
TL (S45-2731)

# Components

## Upper Plenum Assembly

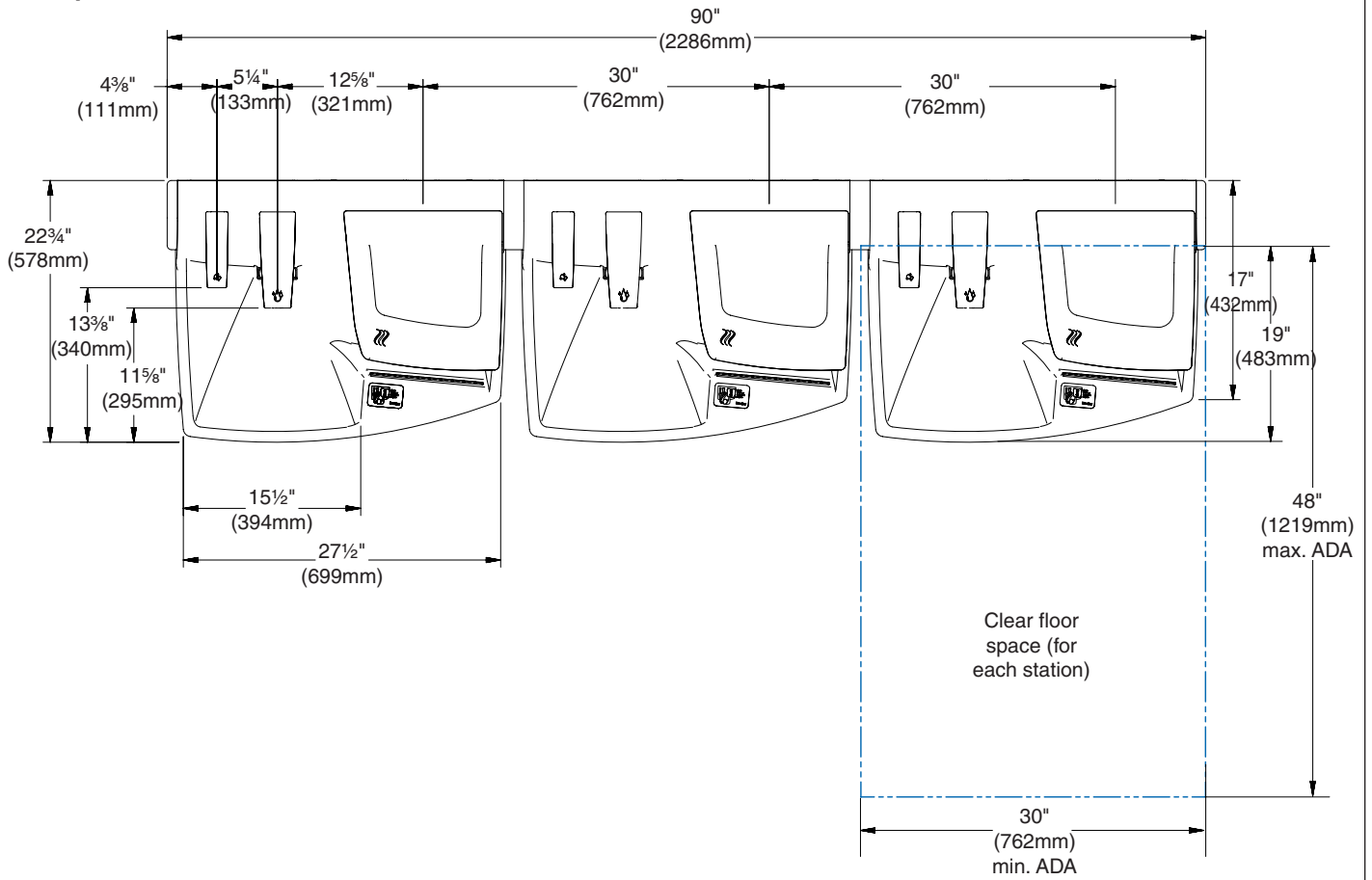


## Lower Plenum Assembly

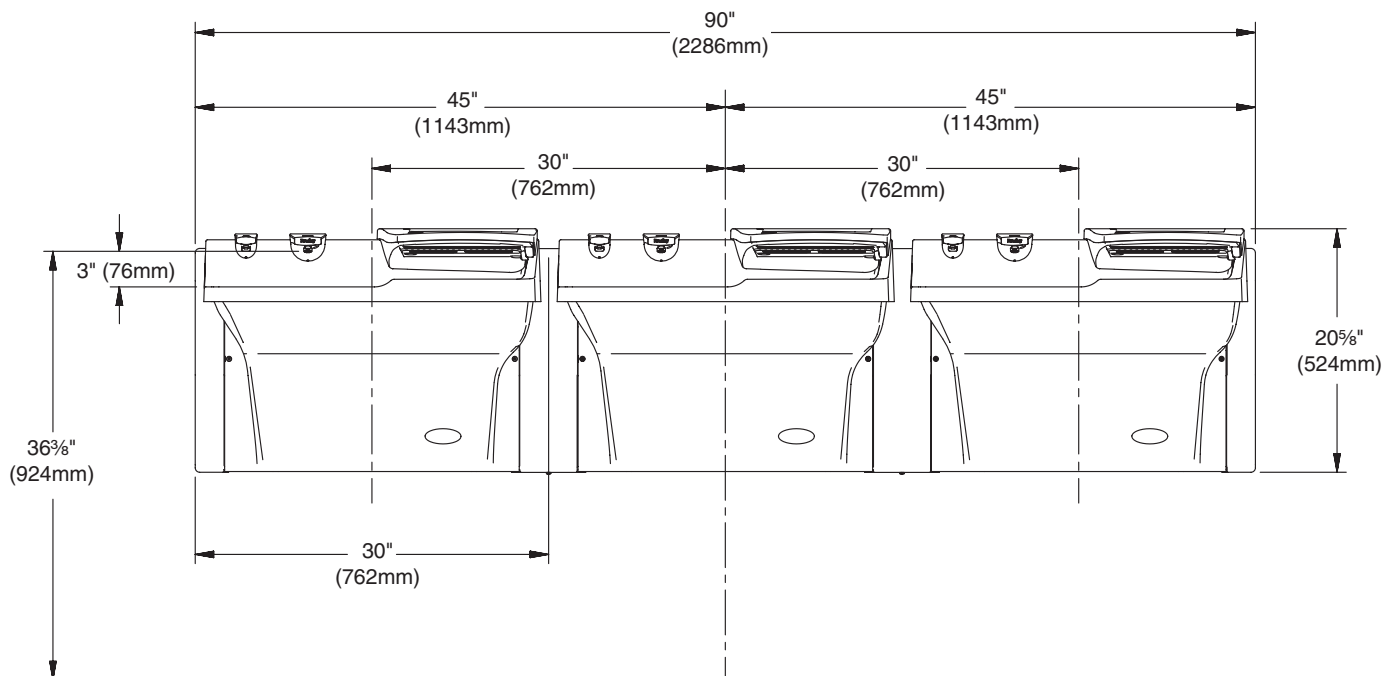


# Dimensions — Top and Front View

## Top View

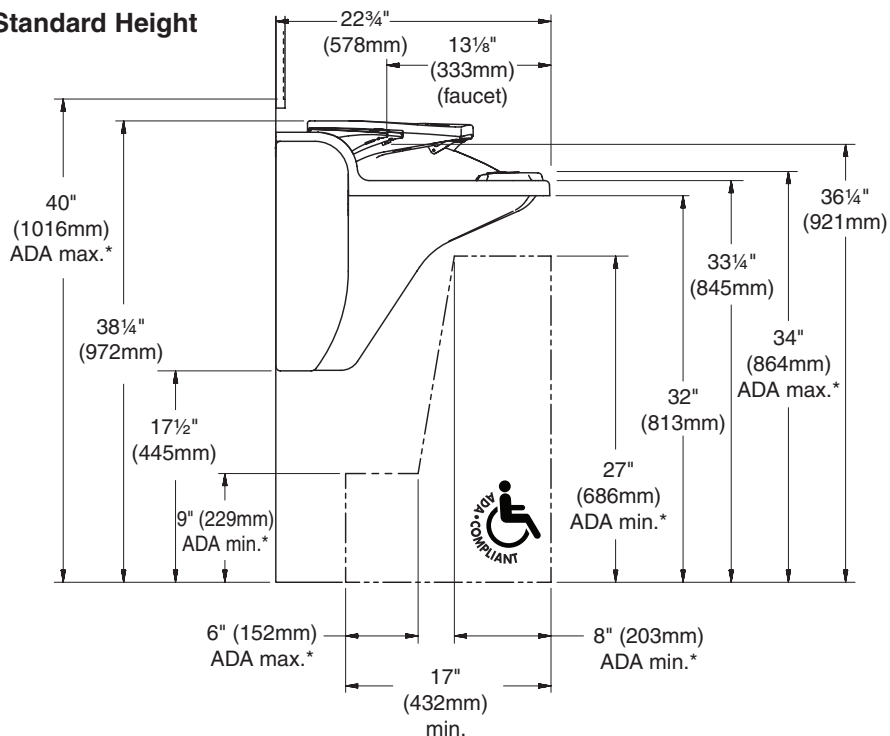


## Front View

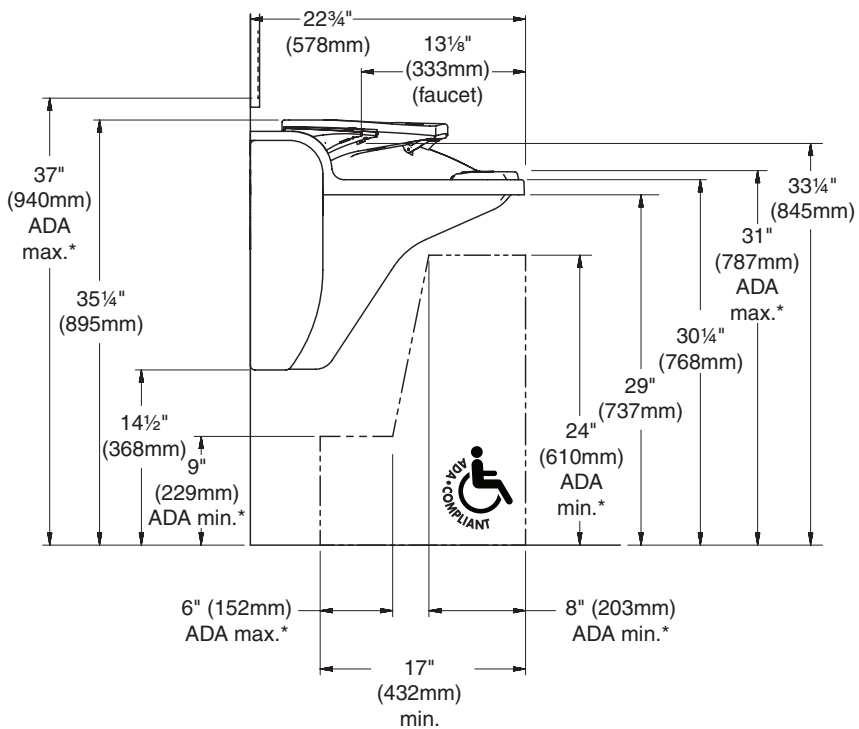


# Dimensions — Side View (ADA)

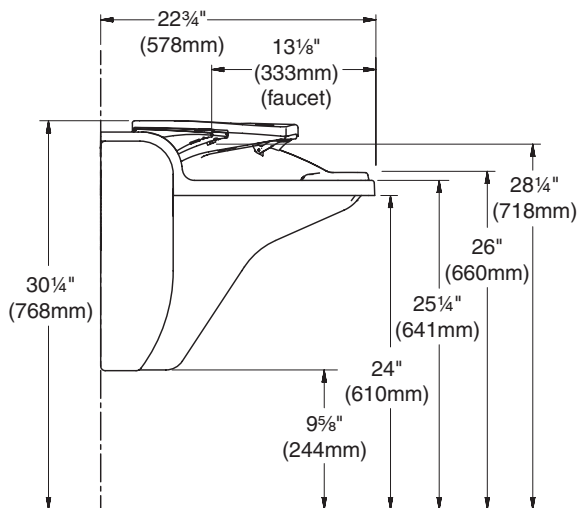
## ADA and TAS Standard Height



## ADA and TAS, Grades 6 thru 12 Juvenile Height



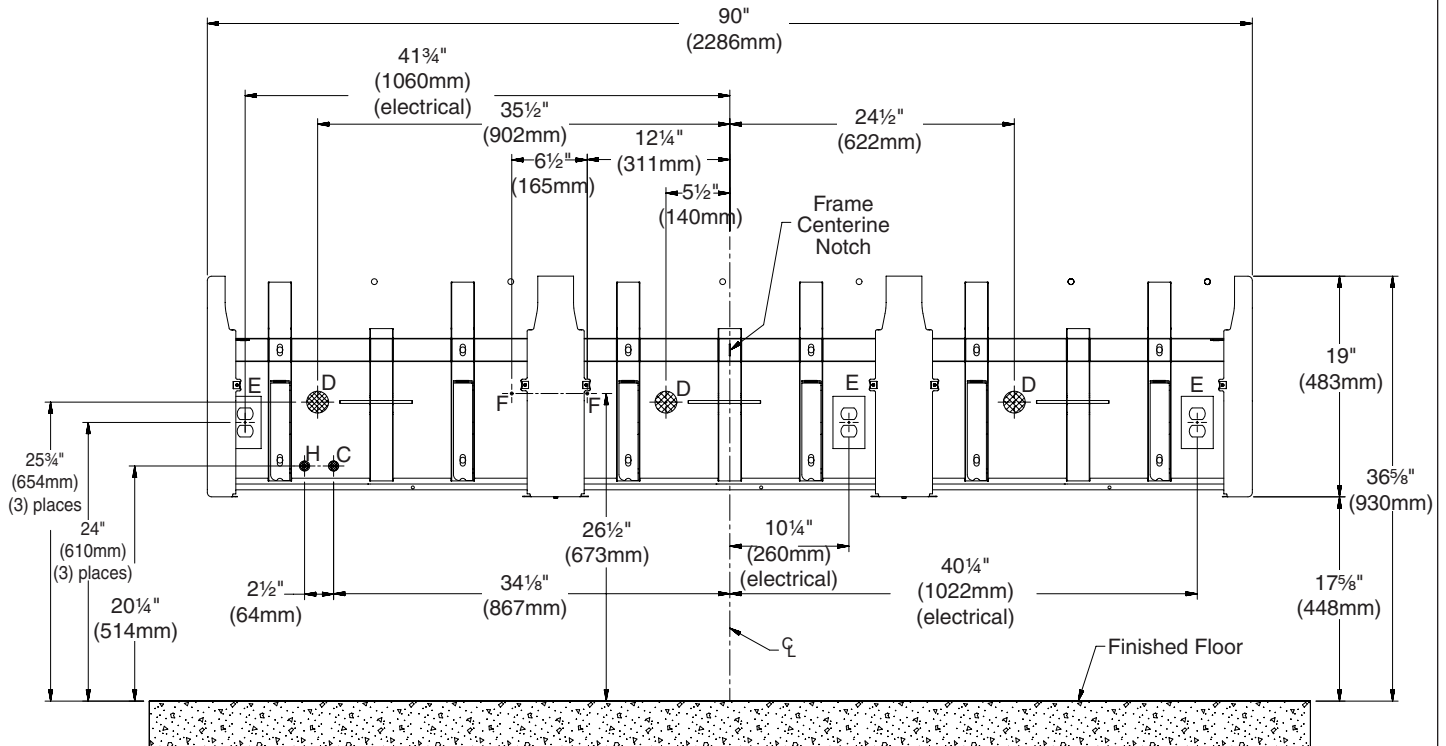
## Junior Height



# 1a Rough-Ins (hot/cold, drain, electrical, and valve)



If desired, hot and cold supply angle stops can be attached to stub outs at this time.



CODE	DESCRIPTION	QTY.
H, C	1/2" nominal (5/8" O.D. Comp.) Hot/Cold Supplies, Stub-Out 2" (51mm) From Wall	1
D	1 1/2" NPT Drain, Stub-Out 2" (51mm) From Wall	3
E	20-amp, 120-volt GFI Protected Electrical Outlet or 10-amp minimum circuit required for 230V (based on product selections) Circuit breaker to have a minimum instantaneous overload current rating of 6 times the circuit breaker's ampere rating.	3
F	#10 Anchors for Valve Bracket Installation	2

RIM HEIGHT	VERTICAL HEIGHT ADJUSTMENTS FOR CODES A, B, H, C, D and E	FIXTURE STYLE
34"	No Adjustment	ADA and TAS Standard
31"	Subtract 3"	ADA and TAS Grades 6 thru 12 Juvenile
26"	Subtract 8"	Junior

# 1b Backing Rough-Ins

**✓** Areas marked as  require sufficient backing compliant with local building codes. Anchor hardware is not provided.

**✓** Remove white laser film from end caps prior to installation of frame to wall.

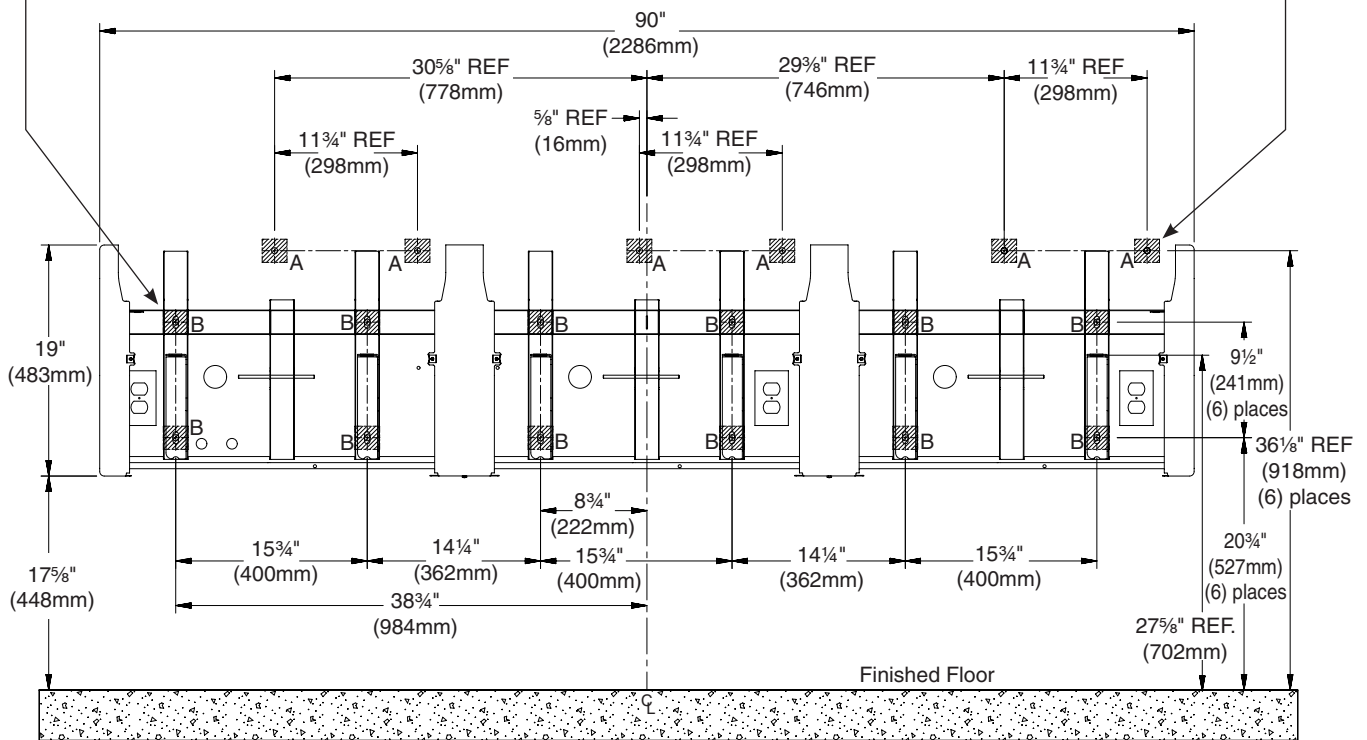
**✓** For clarity, the motor assembly is not shown.

**✓** See step 2 before drilling basin anchors.

**A** Install wall anchors per local codes at locations shown below.

**B** Secure the frame assembly to the wall at (12) locations marked "B" using appropriate fasteners (1 1/4" square washers are provided). When mounting is complete, check to ensure the frame assembly is level.

\*See Step 2 before drilling basin anchors



CODE	DESCRIPTION	QTY.
A	3/8" Bowl Anchors with a Minimum Pull-Out Force of 1,000 lbs.	6
B	3/8" Frame Anchors with a Minimum Pull-Out Force of 1,000 lbs.	12
RIM HEIGHT	VERTICAL HEIGHT ADJUSTMENTS FOR CODES A, B, H, C, D and E	FIXTURE STYLE
34"	No Adjustment	ADA and TAS Standard
31"	Subtract 3"	ADA and TAS Grades 6 thru 12 Juvenile
26"	Subtract 8"	Junior

## 2 Frame and Bowl Assembly



When installed properly, the basin will be level and flush to the back wall.



For clarity, the pre-mounted soap spout, faucet spout, dryer hood and air hoses are not shown.



Access the basin flange through the dryer hood access hole. See Step 5 for more information on how to remove dryer hood cover and how to disconnect the upper plenum hoses for access to the basin flange.

**A**

Position the basin onto the frame. The right vertical frame support will fit into the basin notch as shown.

**B**

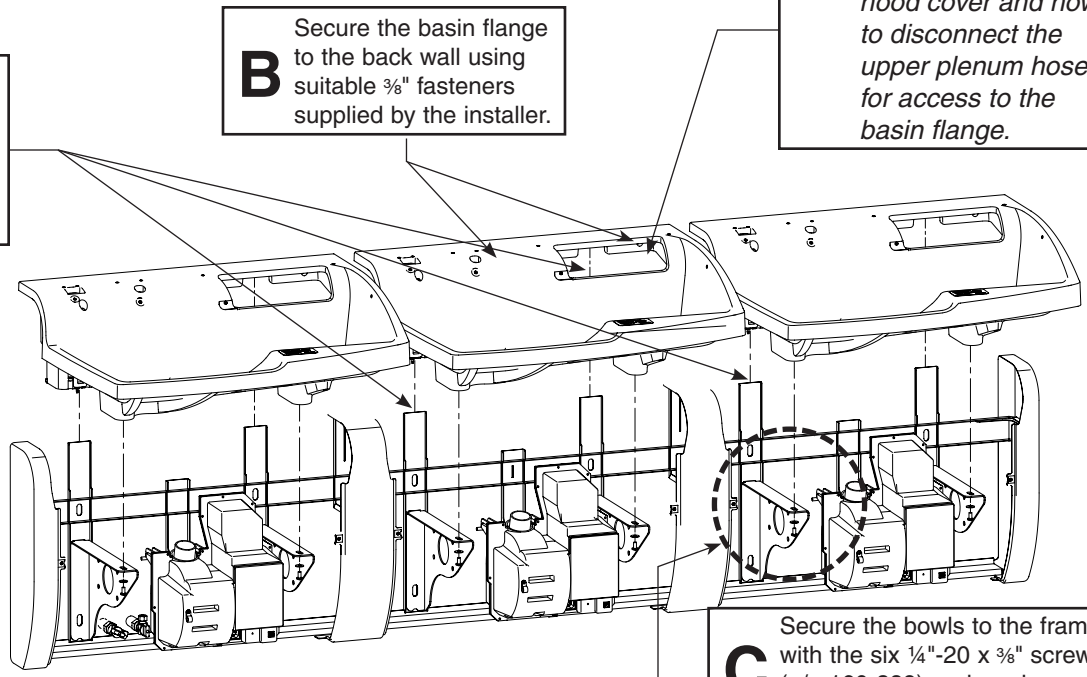
Secure the basin flange to the back wall using suitable  $\frac{3}{8}$ " fasteners supplied by the installer.

**C**

Secure the bowls to the frame with the six  $\frac{1}{4}$ "-20 x  $\frac{3}{16}$ " screws (p/n 160-389) and washers (p/n 142-002DB) provided.



Use the back basin flange as a template to mark the (2) mounting hole locations onto the wall. After marking the wall, install suitable wall anchors. See step 1b.



## 3 Drain and P-Trap



For clarity, the soap spout, faucet spout, dryer hood and frame are not shown.

**D**

Use  $\frac{5}{64}$ " hex driver to install screw to drain cap assembly.

**B**

Assemble o-ring, drain adapter and packing washer to basin hub with (4) #10 screws.

**A**

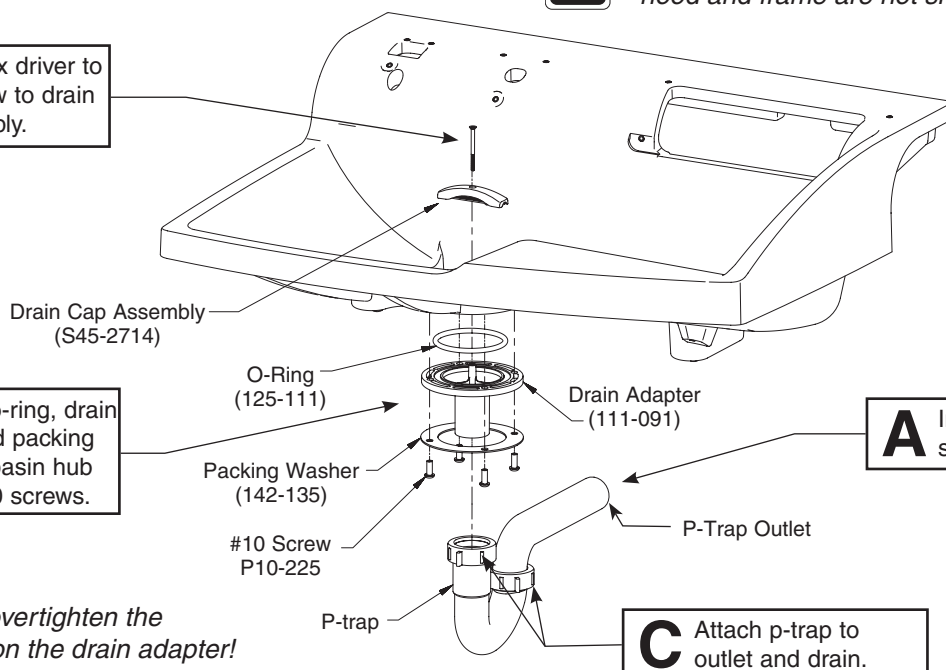
Install p-trap outlet to stub out from wall.



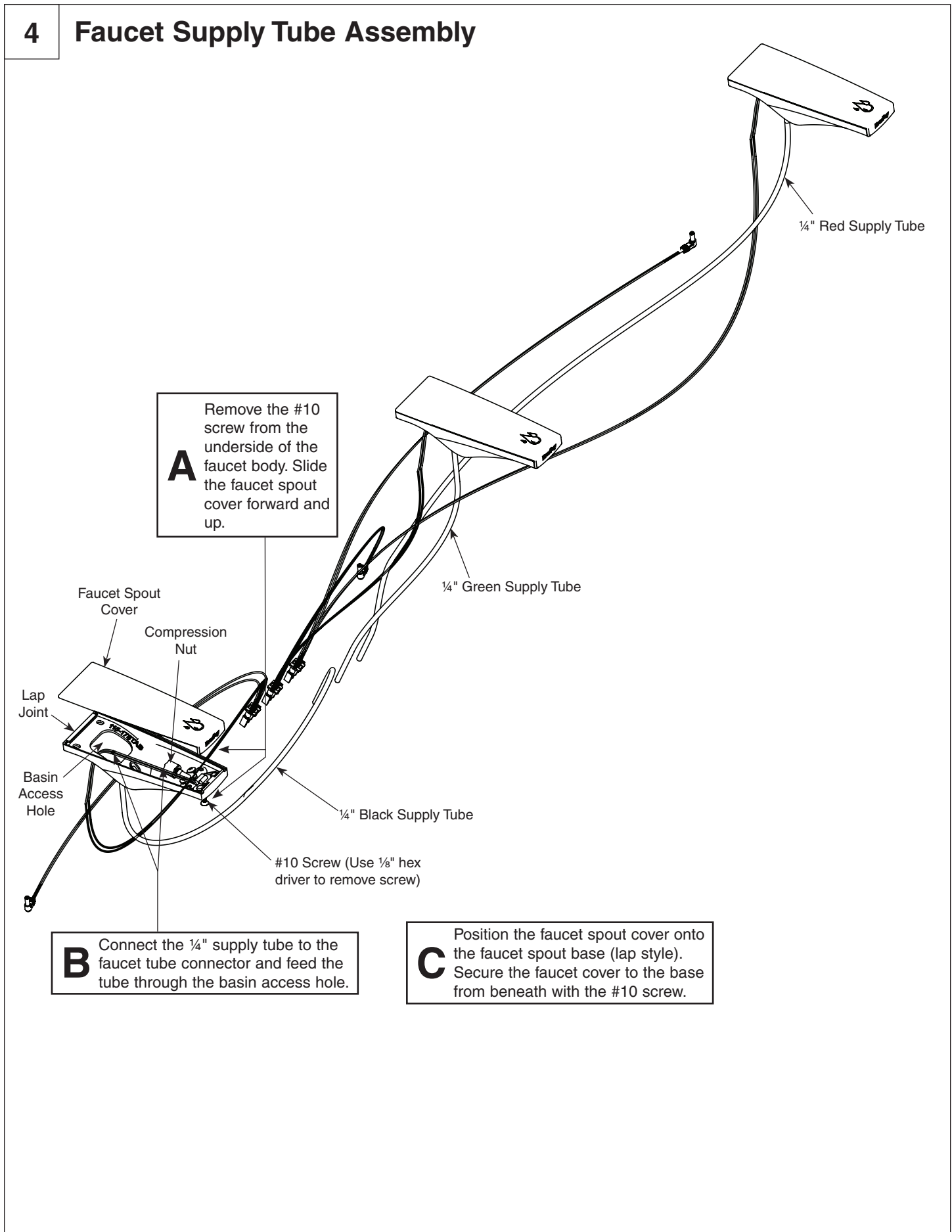
Do not overtighten the screws on the drain adapter!

**C**

Attach p-trap to outlet and drain.



# 4 Faucet Supply Tube Assembly



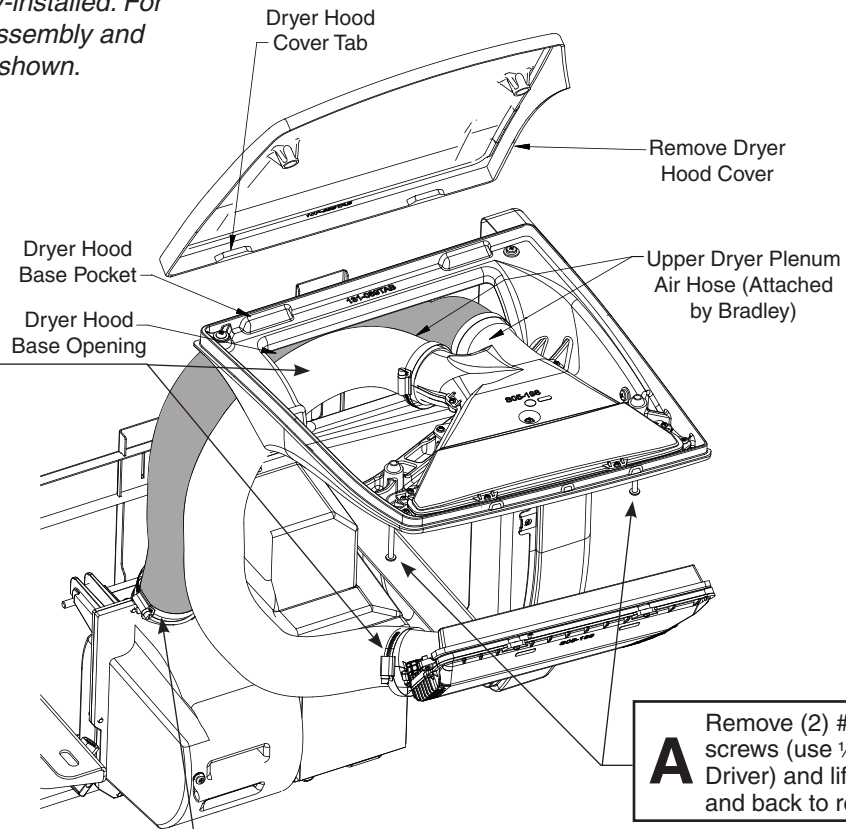


## 5 Dryer Plenum Air Hose Assembly



AV30 is shown. AV90 is similar.

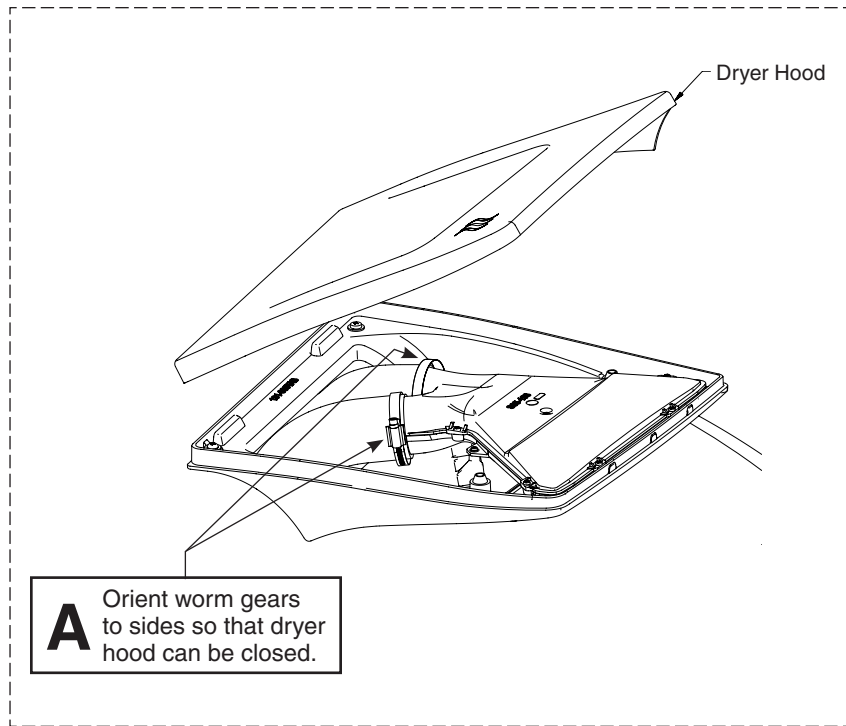
**✓** The dryer hood is factory-installed. For clarity, the basin, soap assembly and faucet assembly are not shown.



**B** Attach air hose from left upper dryer plenum thru dryer hood base opening and down to lower dryer plenum.

**A** Remove (2) #10 x 1½" screws (use ⅛" Hex Driver) and lift cover up and back to remove.

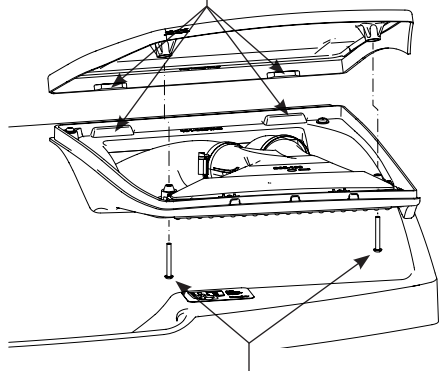
**C** Attach air hose from right upper dryer plenum thru dryer hood base opening and down to dryer motor assembly inlet.



**A** Orient worm gears to sides so that dryer hood can be closed.

### To Reinstall the Dryer Hood Cover

**A** Position the dryer hood cover tabs into the dryer hood base pockets.

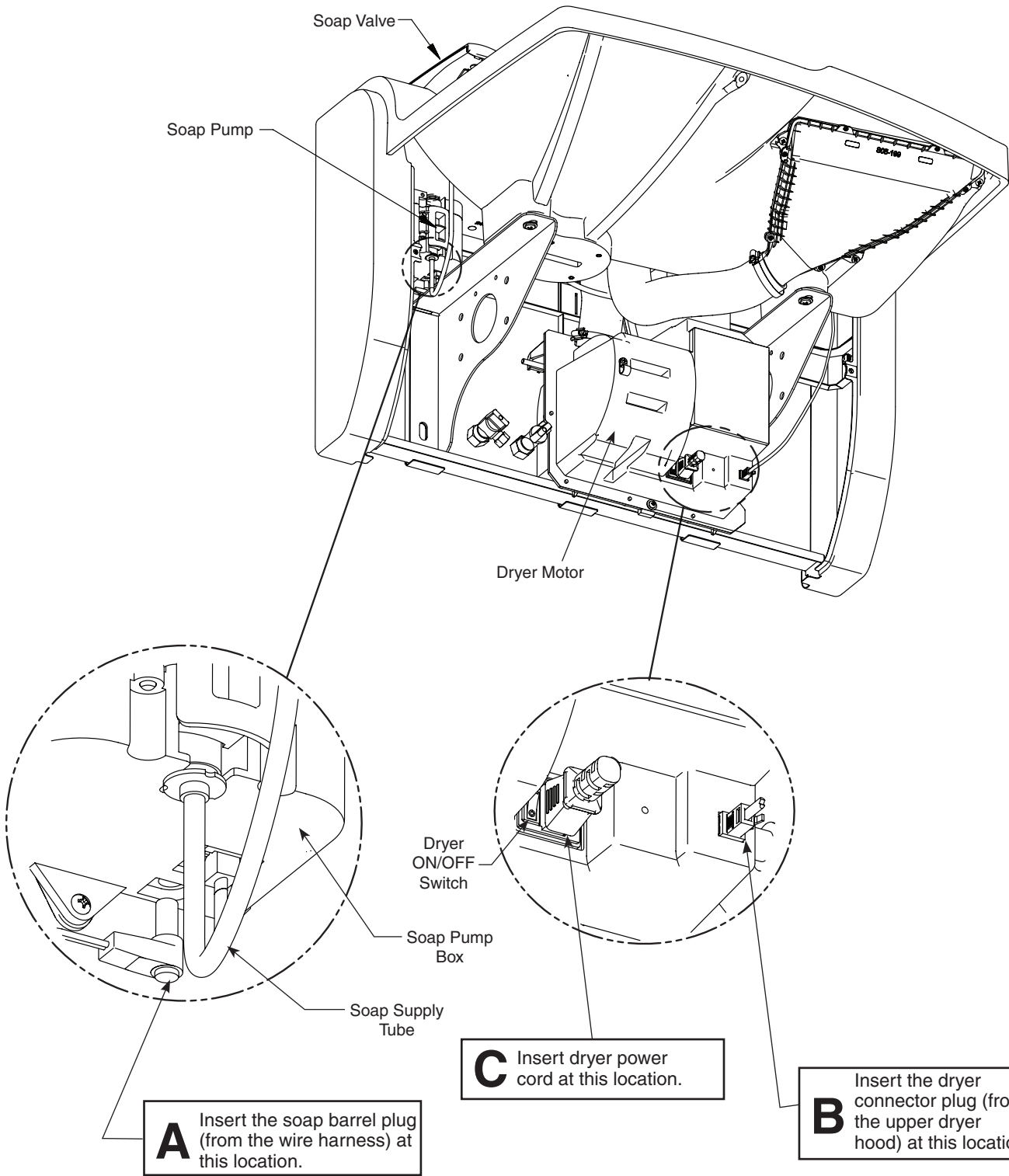


**B** Rotate cover down and secure the cover to the base with the two #10 x ⅜" screws. Use ⅛" hex driver to remove screws.

# 6 Soap and Dryer Plug-Ins

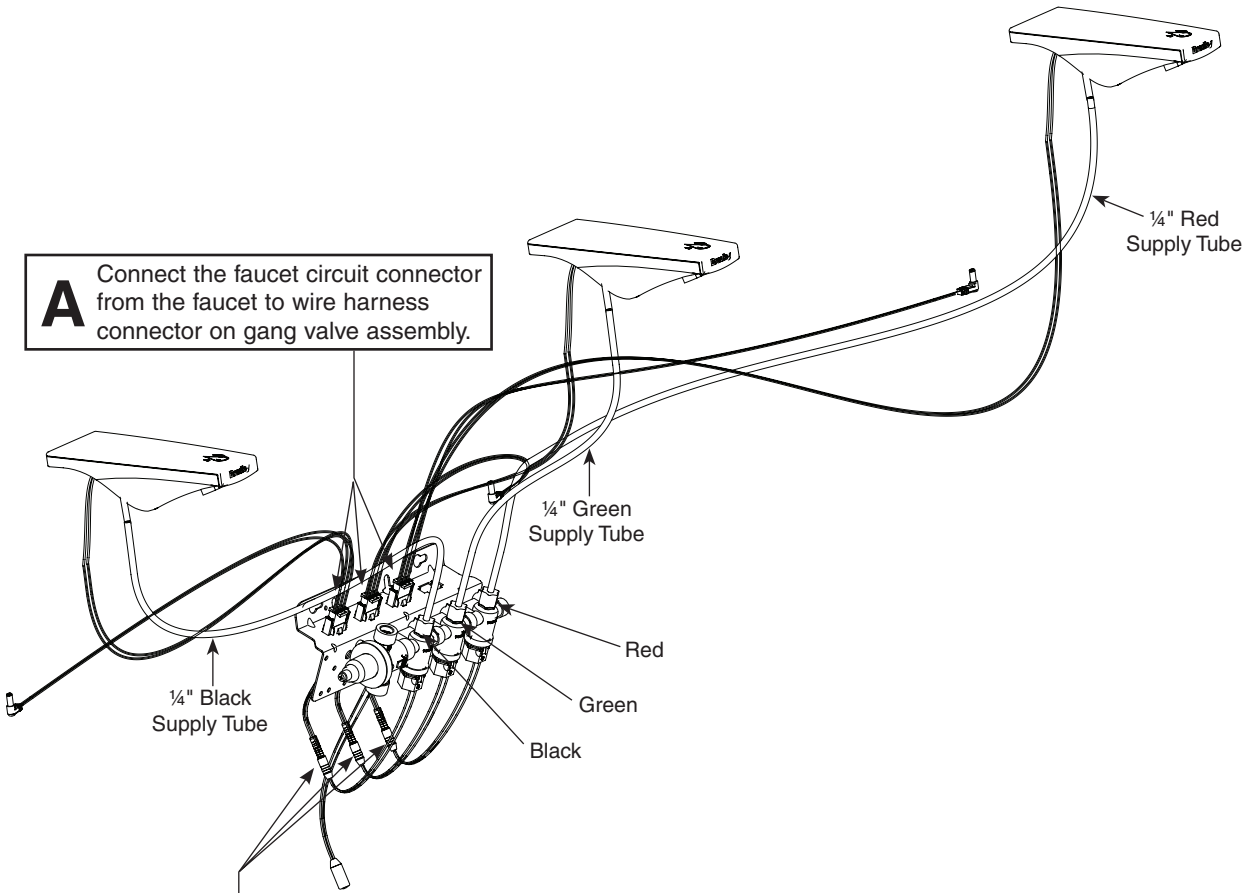


AV30 is shown. AV90 is similar.




### 7a Faucet/Gang Valve Circuit Plug Connection

**A** Connect the faucet circuit connector from the faucet to wire harness connector on gang valve assembly.



**B** Connect wire harness solenoid connector to valve cartridge connector.

 *TMA valve is shown.  
TL valve is similar.*

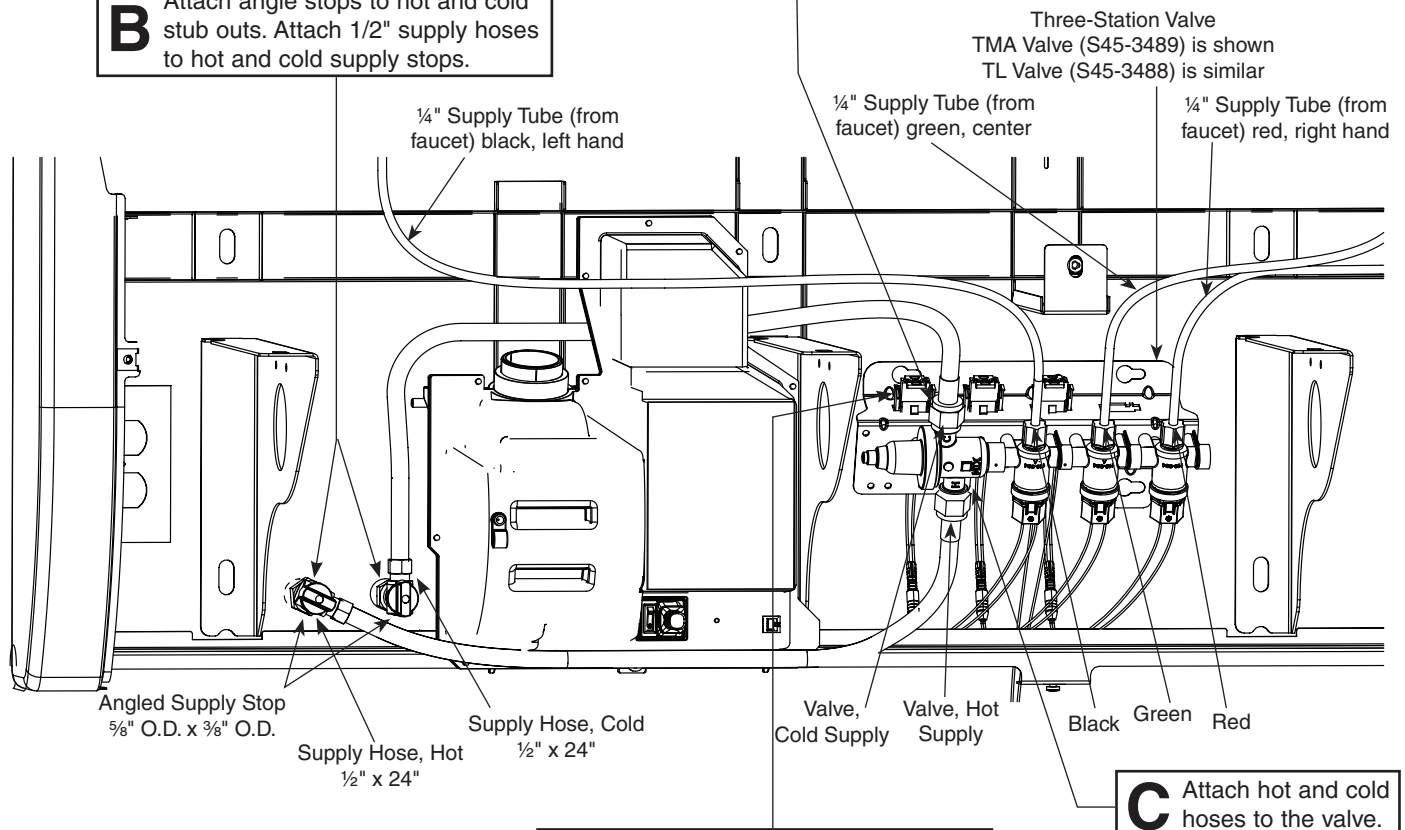
# 7b Valve Assembly



For clarity, the front dryer hose is not shown.

**B** Attach angle stops to hot and cold stub outs. Attach 1/2" supply hoses to hot and cold supply stops.

**A** Loosen the compression nut. Push the faucet supply tube firmly into the tube connector until it is seated. Retighten the compression nut by hand.




Three-Station Valve  
TMA Valve (S45-3489) is shown  
TL Valve (S45-3488) is similar

**D** Attach power adapter plug to harness power jack connector plug inlet on gang valve bracket. Attach gang valve to the wall. See Step 1a for valve bracket anchor locations. Power adapter will plug directly into wall outlet.

**C** Attach hot and cold hoses to the valve.

## 8 Soap/Faucet, Transformer and Dryer Plug-In

 120V installation shown, 230V similar.

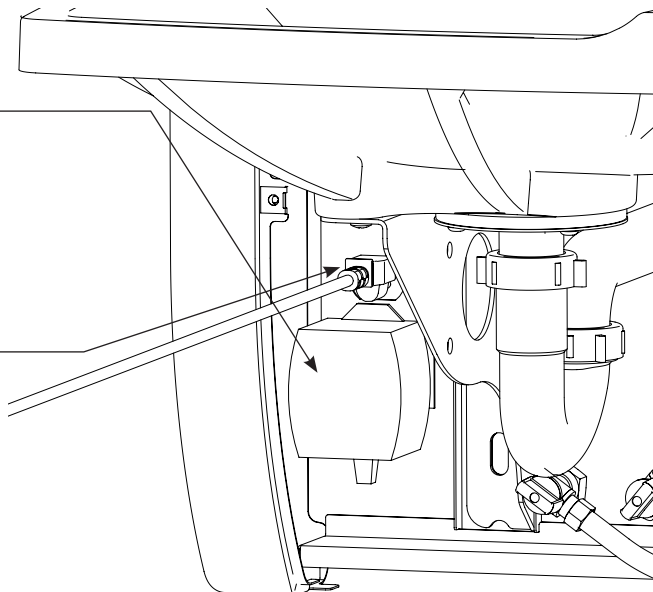
**A** Plug the soap/faucet power adapter into the wall outlet at this location.

**B** Place your hand beneath the faucet to activate. Purge the air from the supply line. See step 10 for water temperature adjustment.


**C** Plug the dryer motor power cord into the wall outlet at this location (20 amp circuit required for 120V installation. 10 amp minimum circuit required for 230V installation).

**D** Plug the other end of the dryer motor power cord into the dryer motor assembly (see page 15).


**E** Turn the dryer on/off switch to the ON position.

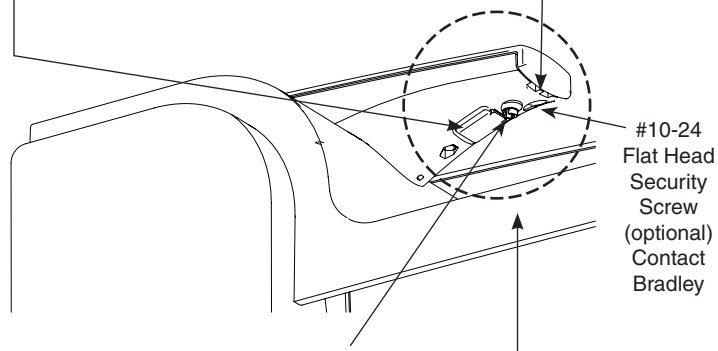


## 9 Filling the Soap Tank and Priming the Soap Spout (Model AV-Series Soap-1)

 See Soap Recommendations section prior to filling soap dispenser.

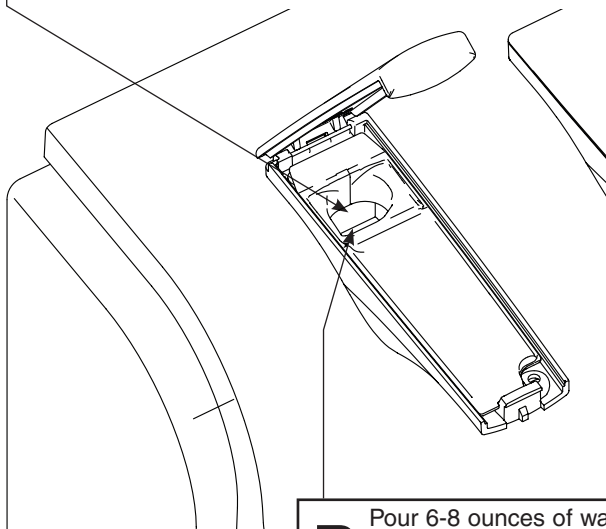
**A** Place the soap key into the keyhole on the soap body base. Push the soap key up and gently rotate back until soap cover unlatches from the soap body base. Rotate the soap cover up.

 Soap level indicator light; blinks red when soap level is low.




**D** After the soap system is primed, pour soap into the soap fill hole to fill the (64-ounce capacity) soap tank. An audible "chirp" will sound and increase in intensity when the tank is approaching 95% full.

**E** Rotate the spout cover down and clip the cover into the spout body.



**B** Pour 6-8 ounces of water into the soap fill hole to prime pump.

 To ensure optimal soap dispenser performance, wipe down soap nozzle with warm water. This will help prevent the buildup of soap.

**C** Activate the soap spout by placing your hand beneath the soap nozzle for 15 seconds. Keep your hand in place once the soap starts to dispense for up to 30 seconds. After 8 to 12 activations, the pump has been primed and your hand can be removed from under the nozzle. The LED light will be blinking green during the Auto Prime mode.

## 10 Adjust the Faucet's Water Temperature



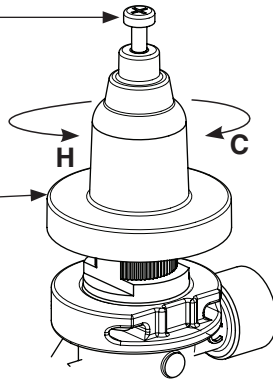
*This valve is NOT factory preset. Upon installation, the temperature of this valve must be checked and adjusted to ensure delivery of a safe water temperature. Water in excess of 110°F (43°C) may cause scalding.*

**A**

Loosen Cap Screw about 1/4" (4-6 turns) and lift up cover (do not remove).

**B**

Using cover, turn cartridge gently until desired water temperature is reached. Do not turn past stops as this may damage unit. Push cover down and tighten screw.



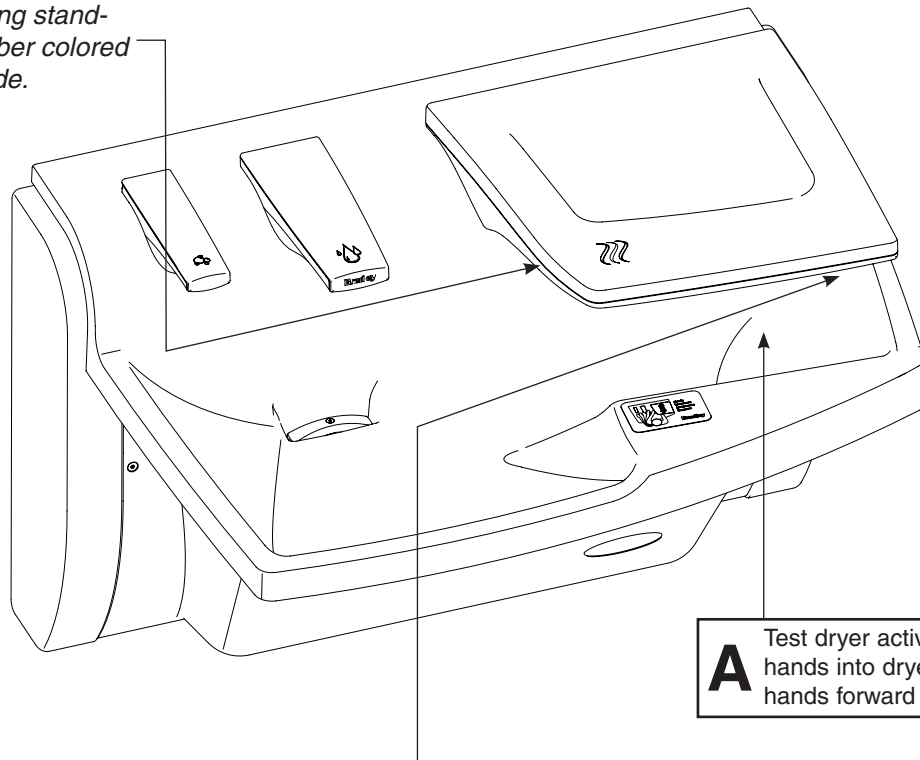
## 11 Dryer Activation



*AV30 is shown. AV90 is similar.*



*The dryer cavity is illuminated in white light during stand-by mode and amber colored during active mode.*



**A** Test dryer activation by placing hands into dryer cavity, moving hands forward and backwards.



*To aid in cleaning, the dryer can be deactivated for 30 seconds. To deactivate the dryer, hold your hand beneath the upper dryer hood at this location for three seconds. The light will blink when the dryer is deactivated and will blink again (after 30 seconds) when the dryer is reactivated.*

# 12 Trap Cover



AV30 is shown.  
AV90 is similar.

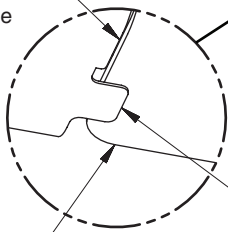


Tuck any loose wires into the frame prior to installing the trap cover to the frame.

**B** Rotate the trap cover up and tuck the edges behind the basin apron.

**A** Position the bottom of the trap cover between the end cap return flange and the bottom tab.

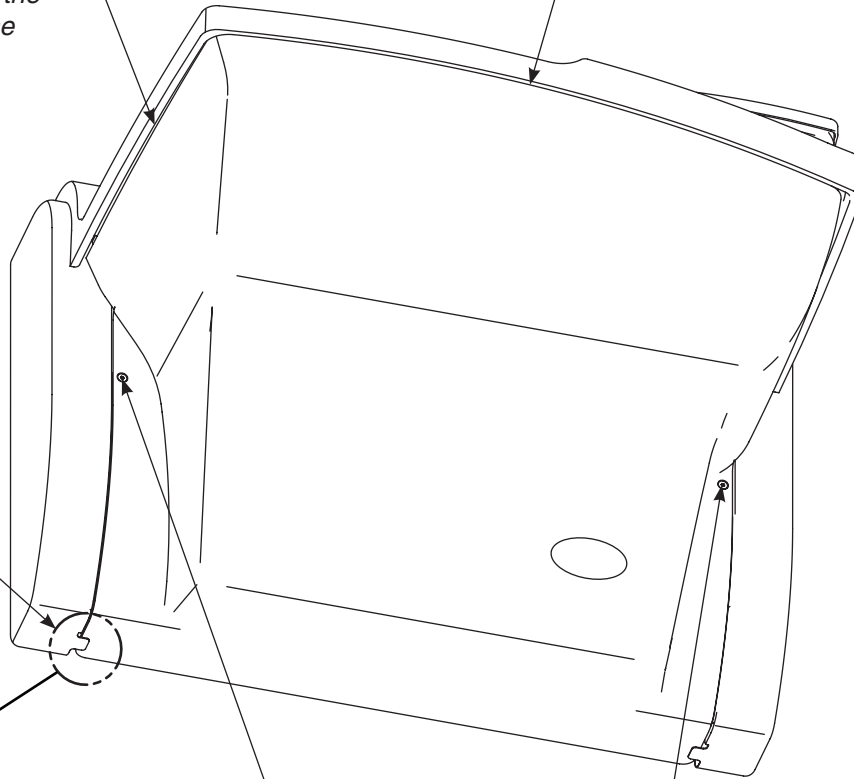
End Cap Return Flange



Trap Cover

End Cap Bottom Tab

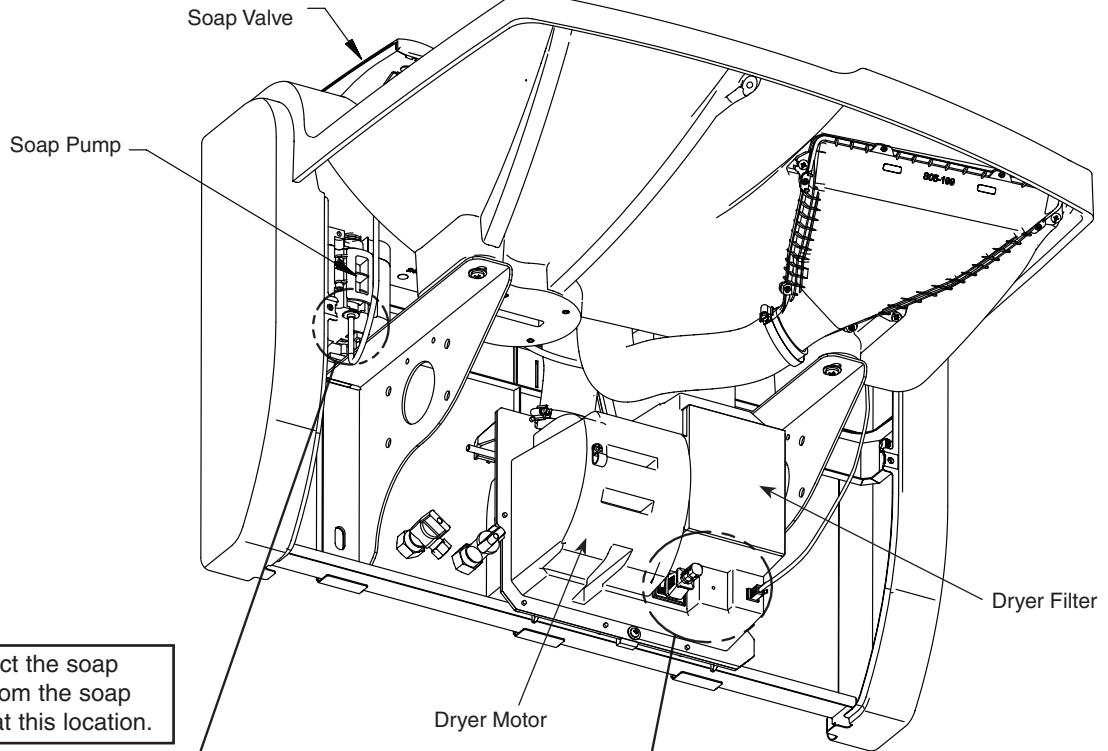
**C** Secure the trap cover with two #10 x 1/2" flat head screws provided. Use 1/8" hex driver to install trap cover.



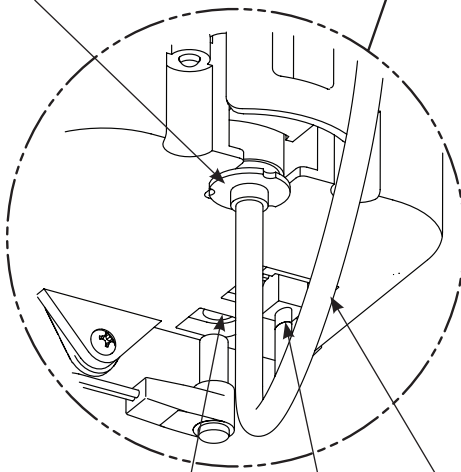
# Soap and Dryer Plug-Ins (for service)



AV30 is shown. AV90 is similar.

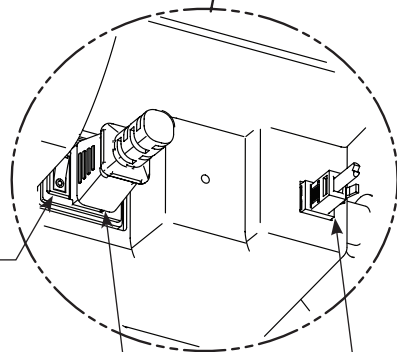


**A** Connect the soap tube from the soap valve at this location.



**B** Insert the soap window connector plug (from the soap valve) at this location.

**C** Insert the barrel plug (from the wire harness) at this location.

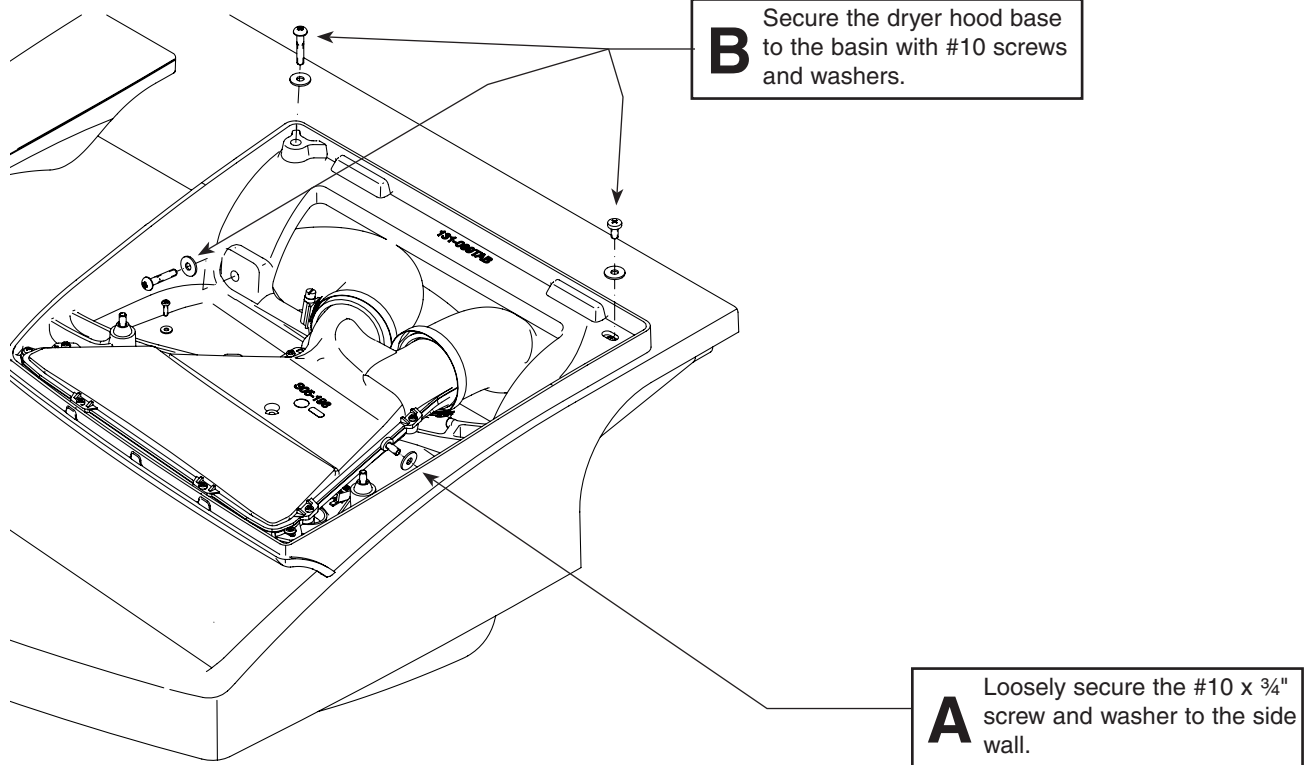


**E** Insert dryer power cord at this location.

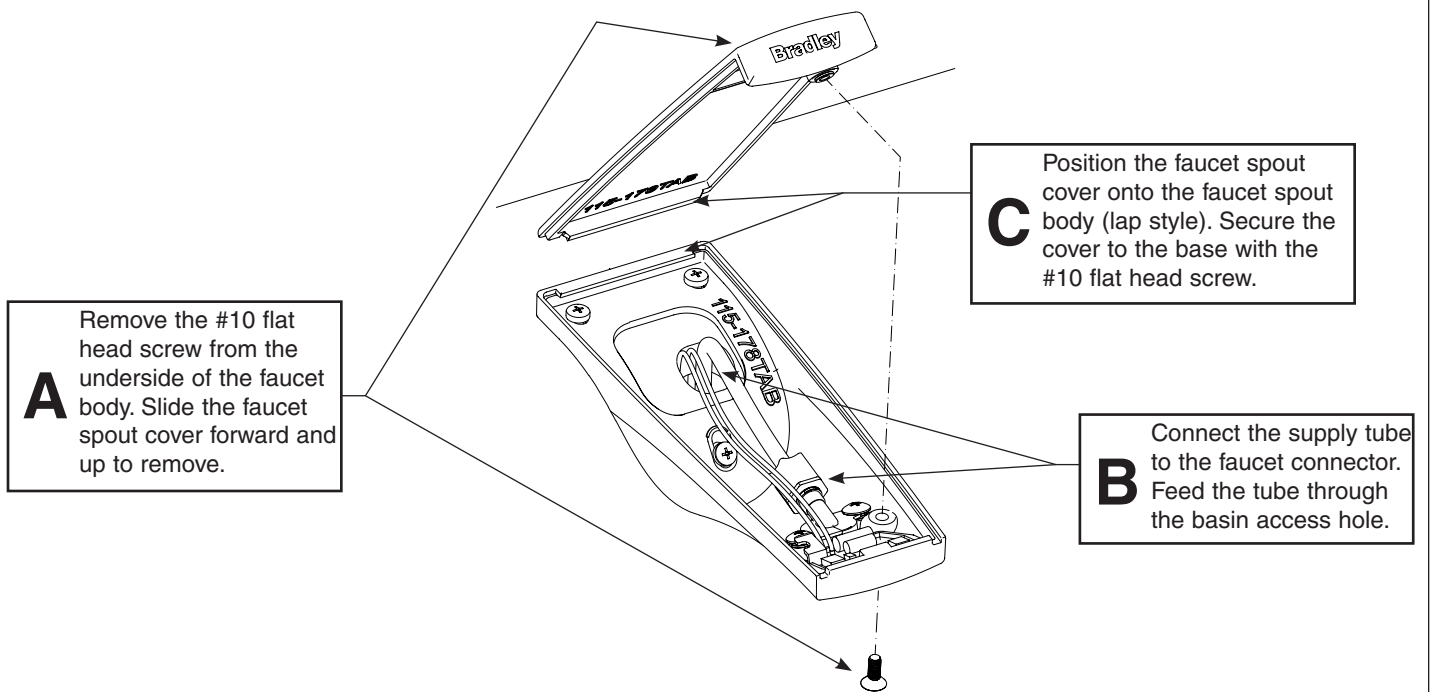
**D** Insert the connector plug (from the upper dryer hood) at this location.



## Dryer Hood Base Reinstallation (for service)



## Faucet Connections (for service)



## Cleaning and Maintenance for Terreon® (Basin)

**Material Description:** Terreon is a densified solid surface material composed of bio based resin and is resistant to chemicals, stains, burns and impact. Surface can be easily repaired with everyday cleansers or fine grit abrasives. Because Terreon is a unique cast material, its aggregate flow and distribution, and shades of color can vary from product to product creating natural characteristics.

**Routine Cleaning:** For regular cleaning, use mild neutral base cleaners.

**Stubborn Stains:** Remove tough stains with Soft-Scrub® and a green Scotch-Brite® pad or lightly sand in a circular motion with 240 grit wet/dry sandpaper. The finish can then be renewed with a maroon Scotch-Brite pad.

**Scratches:** Remove scratches with a green Scotch-Brite pad. The finish can then be renewed with a maroon Scotch-Brite pad.

**Hard Water Deposits:** Remove hard water deposits with a mild solution of vinegar and water. Always rinse the unit thoroughly after cleaning.

**Restoring the surface:** Use Hope's® Perfect Countertop to refresh and protect the Terreon Solid Surface material. Dark Terreon colors may require additional care and maintenance. For complete instructions on this additional maintenance, visit [bradleycorp.com](http://bradleycorp.com).

**Repair Kits:** Terreon repair kits are available. Contact your Bradley representative or distributor for part numbers and pricing. Repair kits are made to order and have a shelf life of 30 days.

**NOTICE!** Do not use strong acid or alkaline chemicals and cleaners to clean Terreon. If these chemicals come in contact with the surface, wipe them off immediately and rinse with soapy water. Avoid contact with harsh chemicals such as paint remover, bleach, acetone, etc. Avoid contact with hot pans and objects.

## Cleaning and Maintenance for Stainless Steel

**Material Description:** Stainless steel is extremely durable, and maintenance is simple and inexpensive. Proper care, particularly under corrosive conditions, is essential. Always start with the simplest solution and work your way toward the more complicated.

**Routine cleaning:** Daily or as often as needed use a solution of warm water and soap, detergent, or ammonia. Apply the cleaning solution per the manufacturer's instructions and always use a soft cloth or sponge to avoid damaging the finish.

**Stubborn Stains:** To remove stains from stainless steel use a stainless steel cleaner and polish such as Ball® stainless steel cleaner or a soft abrasive. Always follow the manufacturer's instructions and apply in the same direction as the polish lines.

**NOTICE!** Never use ordinary steel wool or steel brushes on stainless steel. Always use stainless steel wool or stainless steel brushes.

**Fingerprints and Smears:** To remove fingerprints or smears use a high quality stainless steel cleaner and polish in accordance with the manufacturer's instructions. Many of these products leave a protective coating that helps prevent future smears and fingerprints.

**Grease and Oil:** To remove grease and oil use a quality commercial detergent or caustic cleaner. Apply in accordance to the manufacturer's instructions and in the direction of the polish lines.

**Precautions:** Avoid prolonged contact with chlorides (bleaches, salts), bromides (sanitizing agents), thiocyanates (pesticides, photography chemicals, and some foods), and iodides on stainless steel equipment, especially if acid conditions exist.

**NOTICE!** Do not permit salty solutions to evaporate and dry on stainless steel.

The appearance of rust streaks on stainless steel leads to the belief that the stainless steel is rusting. Look for the actual source of the rust in some iron or steel particles which may be touching, but not actually a part of the stainless steel structure.

**NOTICE!** Strongly acidic or caustic cleaners may attack the steel causing a reddish film to appear. The use of these cleaners should be avoided.

## Cleaning and Maintenance for Composite Fiberglass Reinforced Polymer (Soap, Faucet and Dryer Components)

**Material Description:** Composite fiberglass reinforced polymer is a composite material made of a polymer matrix reinforced with glass fibers. The material is impact resistant, durable and maintenance is simple and inexpensive.

**Routine Cleaning:** Daily or as often as needed; use a solution of warm water and mild soap. Apply the cleaning solution per the manufacturer's instructions and always use a soft cloth or sponge to avoid damaging the finish.

### Special Situations for Composite Fiberglass Reinforced Polymer Material

**Scratches:** If scratches are superficial (i.e. do not penetrate through the clear coat), wet sand with 3000 grit sand paper, then buff. This process is similar to an automotive finish repair.

**NOTICE:** Never use abrasive cleaners on composite fiberglass components.

### Brand Names

Use of brand names is intended only to indicate a type of cleaner. This does not constitute an endorsement, nor does the omission of any brand name cleaner imply inadequacy. Many products named are regional in distribution, and can be found in local supermarkets, department and hardware stores, or through your cleaning service. It is emphasized that all products should be used in strict accordance with package instructions.

## Liquid Soap Recommendations and Dispenser Maintenance



*For more information and recommendations, please visit [www.bradleycorp.com/advocatesoap](http://www.bradleycorp.com/advocatesoap)*

### Overview

Quality soap dispensers require good quality soap and periodic maintenance to properly operate. Bradley soap dispensers will provide dependable, consistent operation over the long term when soap with reasonable viscosity and pH levels are used and when a minimal amount of periodic maintenance is performed on the valves. Most soap dispenser problems are caused by soap that is too thick or corrosive, or by a lack of maintenance. Many soaps come in concentrate form which must be diluted with water. Often, the soap is improperly diluted or used straight out of the bottle, which causes clogging and valve failure. If proper soap is being used, valves that have never been cleaned are usually the source of dispensing problems. With proper maintenance and soap, Bradley dispensers will provide long term, trouble free operation.

### Viscosity

Soap thickness is determined by a measurement called viscosity. Soap viscosity should be between 100 cps (centipoise) and 2500 cps for all Bradley soap dispensers. Thick soaps flow slower and inhibit the "flushing" action of the valves, which allows the soap to congeal in the valve and cause clogs.

### pH Level

The pH (acid) level of the soap should be in the range of 6.5 to 8.5. More acidic soaps (pH levels lower than 6.5) will corrode metal parts (even stainless steel!!) and degrade rubber and plastic components. They will also cause skin irritation. Most inexpensive soaps (typically the pink lotion type) fall into this acidic category and will eventually cause valve failure and metal corrosion.

**WARNING: Base soaps (pH levels higher than 8.5) will cause skin irritation and swelling or degradation of rubber and plastic parts.**

### Soap Valves

Valves must also be maintained (cleaned) to function properly. At the very minimum, hot water should be pumped through valves periodically to clear out soap residue. Ideally, valves should occasionally be soaked for 30 minutes in hot water or a soap valve cleaning solution. The valve should be pumped at least 20 times while it is soaking to clear any clogs. The soap reservoir should also be flushed with hot water. In cases of extreme clogging, the valve should be disassembled and the parts should be soaked in hot water or cleaning solution to restore proper functioning. Generally, any quality soap meeting the viscosity and pH guidelines above will work well with Bradley soap dispensers. PCMX or Isopropanol based antibacterial soaps (within viscosity and pH limits) will also work with Bradley dispensers. Soaps satisfying these basic guidelines will provide consistent flow and reduce clogs.

## Cleaning and Maintenance for Dryer Filter

The dryer filter is in place to extend the life of the motor and provide smooth operation. Depending on air quality and usage, check filter periodically. The filter is washable or can be replaced.

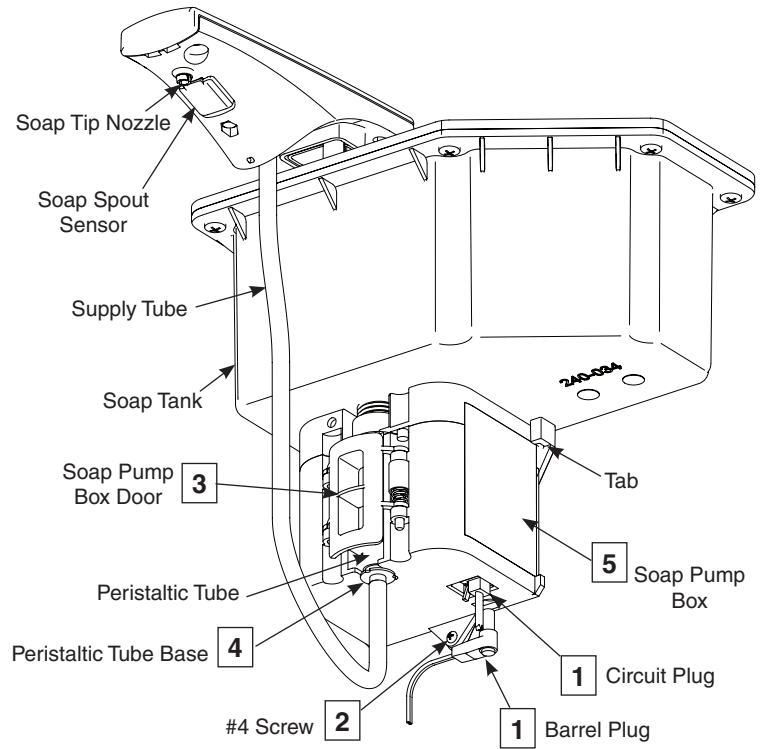
# Soap System Troubleshooting

## Soap Pump Box Removal

1. Disconnect barrel plug and circuit plug from soap pump box.
2. Remove #4 screw from soap pump box lower flange.
3. Open soap box pump door by lifting up on the door and rotating outward.
4. Unhook the base of the peristaltic tube from the soap pump box.
5. Slide the soap pump box down and remove from the soap tank.

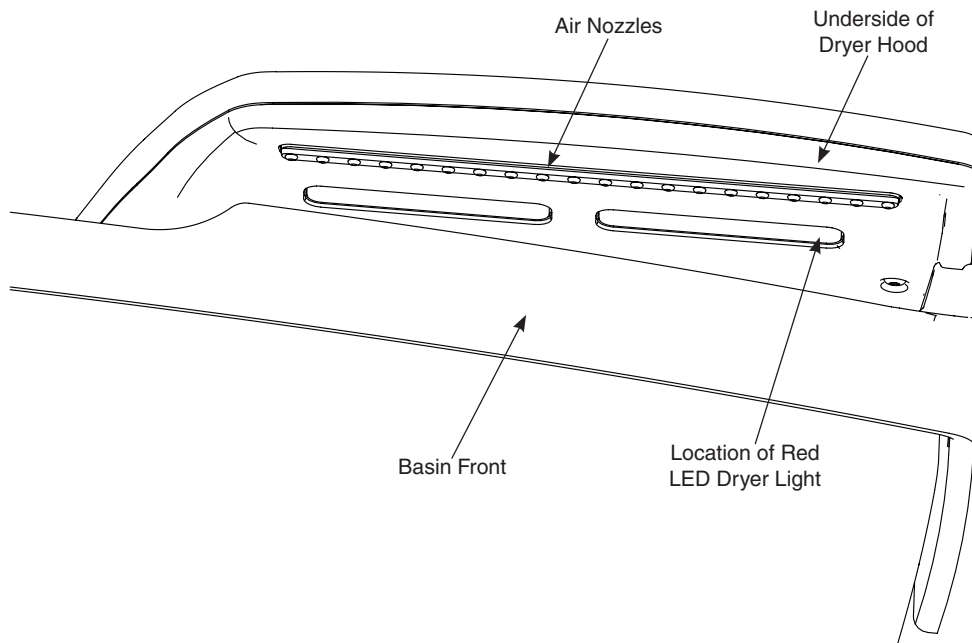


Reverse steps to reattach.



Problem	Cause	Solution
No soap dispensing from soap spout.	Sensor is dirty.	Clean with a soft damp cloth.
	Soap pump needs to be primed.	See step 9 for instructions on priming the soap pump.
	Soap tank is empty.	Open soap cover and fill soap tank. See step 9 for instructions on filling the soap tank.
	Soap supply tube is clogged.	Remove trap cover. Disconnect supply tube from peristaltic tube. Open soap cover. Disconnect supply tube from soap tube elbow fitting. Remove debris from soap supply tube. Reattach soap supply tube and activate dispenser 8-12 times to prime (soap can be manually primed by opening soap pump box door and pressing on peristaltic tube).
	Transformer is unplugged.	Plug transformer into electrical outlet.
	Barrel plug or circuit plug are not connected to the soap box pump.	Connect barrel plug or circuit plug to soap box pump.
Soap is dispensing at an angle from soap tip nozzle.	Buildup of soap on the soap tip nozzle.	Wipe down soap tip nozzle with warm water and remove any debris from nozzle tip.
Small amount of soap dispensing from the soap spout.	Soap viscosity levels are higher than recommended.	For soap viscosity information, see page 23.  Dilute soap in the tank with water or remove soap from the tank and fill with soap that is within the correct viscosity range.

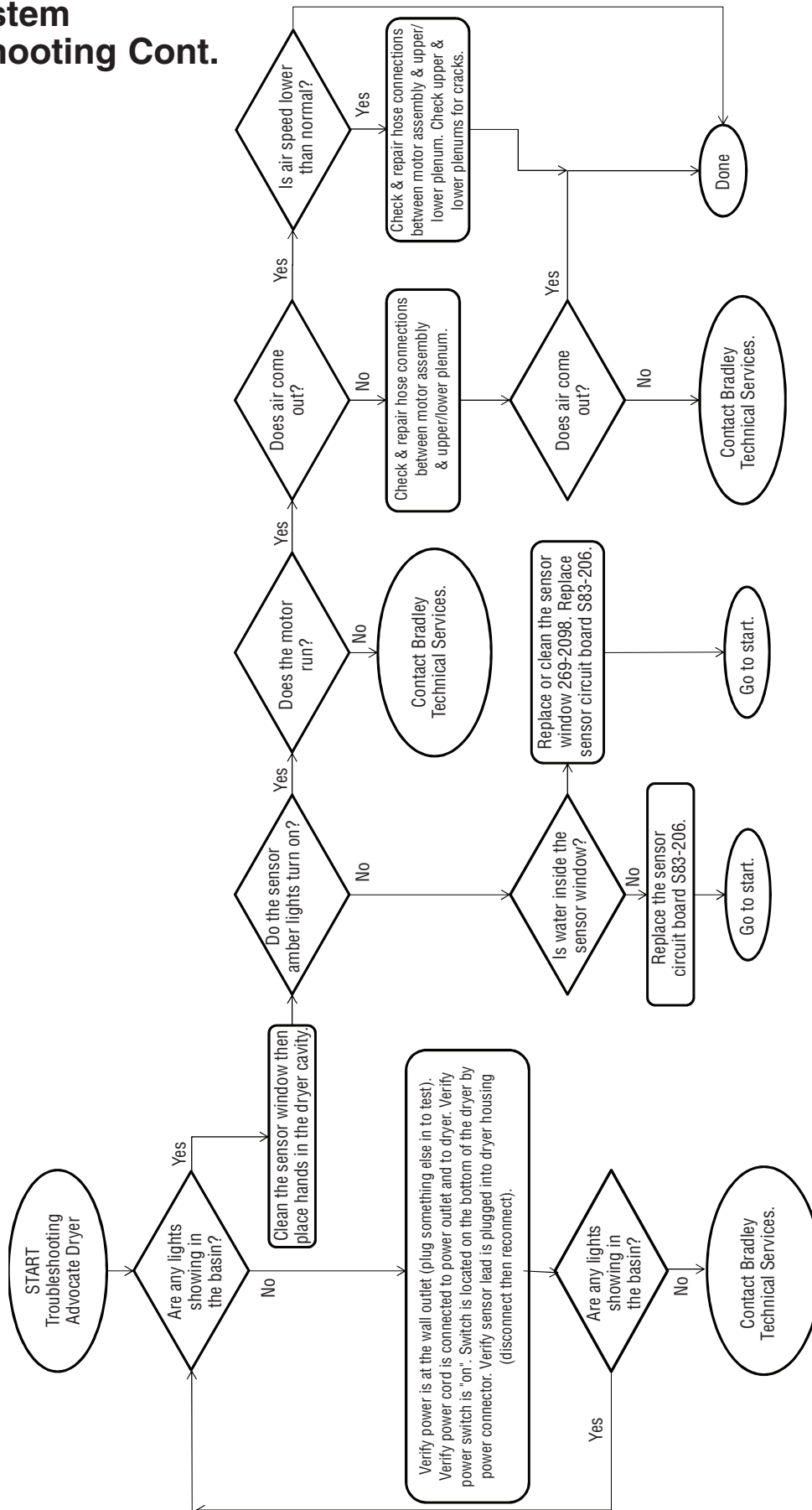
## Dryer System Troubleshooting



### Dryer Error Sequence for Flashing Red LED Light

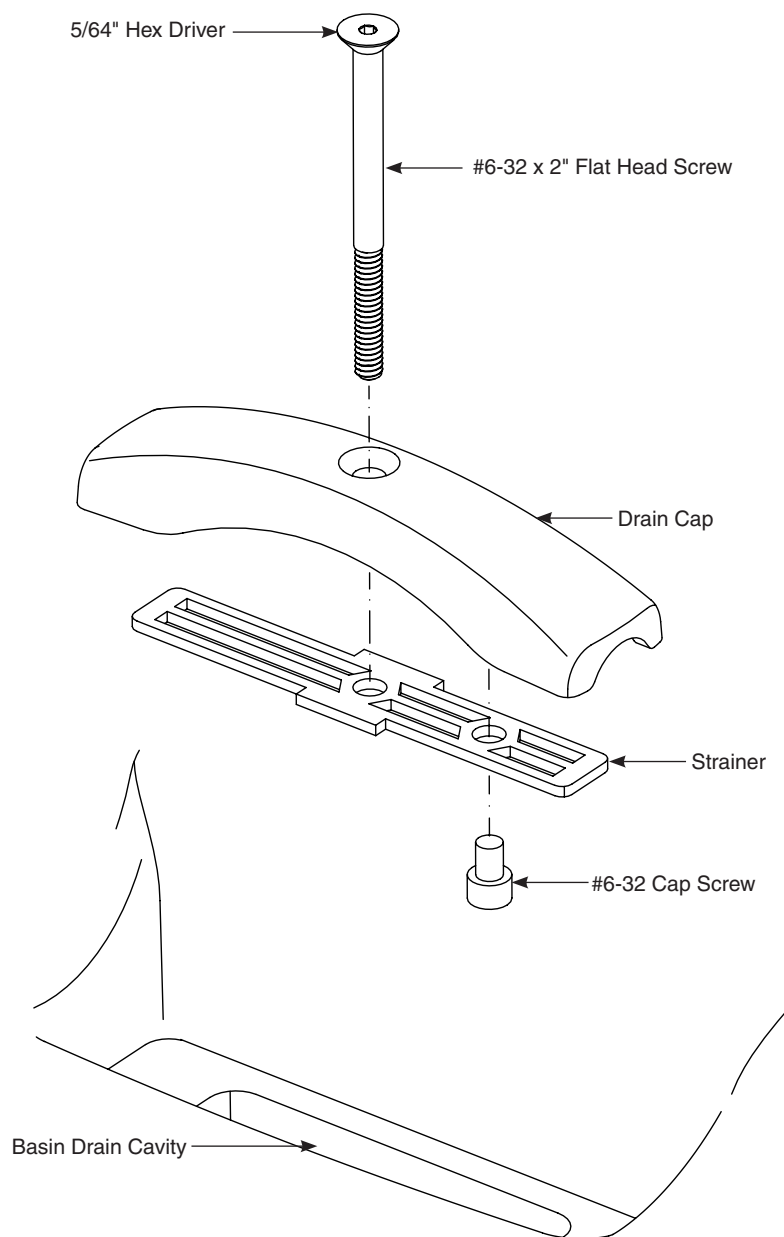
Error	Cause	Solution
1 flash every 2 seconds.	Blocked rotor	Contact Bradley Technical Services.
2 flashes every 2 seconds.	Over voltage	Disconnect power. Check outlet voltage. If appropriate voltage, test dryer. If problem persists contact Bradley Technical Services.
3 flashes every 2 seconds.	Overtemp controller	Clean or replace air filter (part number 269-2128). If problem persists, contact Bradley Technical Services.
4 flashes every 2 seconds.	Overtemp motor	Clean or replace air filter (part number 269-2128). If problem persists, contact Bradley Technical Services.
5 flashes every 2 seconds.	Under voltage	Disconnect power. Check outlet voltage. If appropriate voltage, test dryer. If problem persists contact Bradley Technical Services.
6 flashes every 2 seconds.	Communication error (interface and motor control board)	Contact Bradley Technical Services.
Dryer will not activate	Sensor is dirty.	Clean with a soft damp cloth.

# Dryer System Troubleshooting Cont.



## Cleaning and Maintenance for Drain Cap and Strainer

To ensure proper water drainage on the Advocate Lavatory System, the nickel plated drain cap and stainless steel strainer should be cleaned periodically to remove any debris and soap residue buildup.

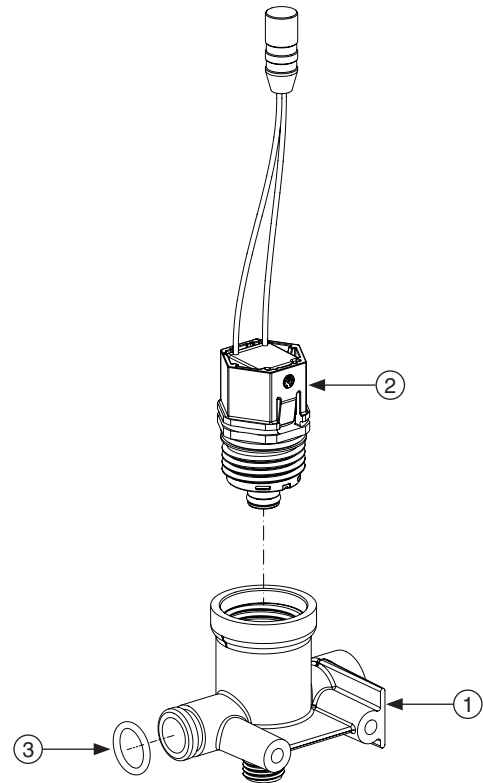


## Troubleshooting – Solenoid Valve: Part nos. S07-067 (closed body) & S07-067A (thru body)



Turn off water supplies to the unit before troubleshooting.

Item	Qty.	Part No.	Description
1	1	118-334	Valve Body, ¼" Closed
1	1	118-334A	Valve Body, ¼" Thru
2	1	S27-352	Cartridge
3	1	125-165	O-Ring, #2-013



Problem	Cause	Solution
An individual operating station fails to shut off and drips.	Internal cartridge failure.	Replace S27-352 cartridge.
An individual operating station fails to turn on.	A failed cartridge for the valve or loose electrical connection to the terminal.	<p>Test the station to determine the cause.</p> <ol style="list-style-type: none"> <li>1. Disconnect the wires from the cartridge of an adjacent valve. Disconnect the wires from the problem valve and reconnect to the adjacent valve.</li> <li>2. Turn on electrical and water supplies to the unit. Pass your hand in front of the sensor of the problem station, and the adjacent station should turn on.</li> </ol> <p>If the adjacent station turns on and cycles normally, replace the cartridge on the problem valve.</p> <p>If the adjacent valve fails to turn on, inspect the wires from the sensor cable and do the following:</p> <ul style="list-style-type: none"> <li>• make sure there are no breaks and that the fully insulated disconnect terminals are firmly crimped in place;</li> <li>• turn off the electrical and water supplies;</li> <li>• reconnect to the adjacent valve and turn on the water supplies to the unit;</li> <li>• pass your hand in front of the sensor. If the station still fails to turn on, replace the sensor.</li> </ul>



## Thermostatic Mixing Valve Troubleshooting

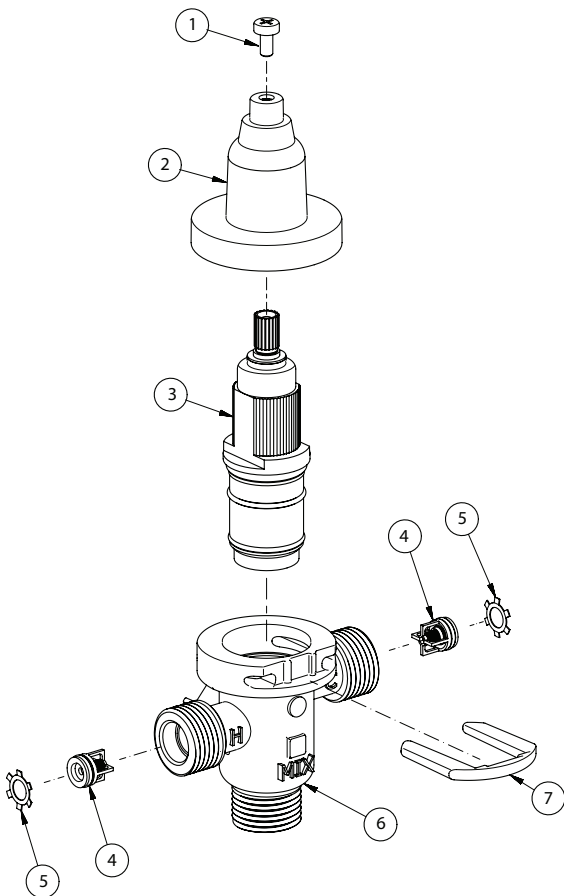
Before attempting to troubleshoot the valve or disassemble the components, check for the following conditions:

- If stop valves are used, make sure that they are fully open.
- Make sure that the hot and cold inlet pipes are connected properly, and that there are no cross-connections or leaking stop valves.
- Check the hot water heater output to make sure that it is at least 10° F above the set temperature.



Be sure to close the appropriate shut-off valves prior to disassembly of the valve and reopen the valves after inspection and repair is complete.

Problem	Cause	Solution
External leaks.	Damaged cartridge or O-rings.	Replace cartridge with part number 269-1927
Improper water temperature or temperature fluctuation.	Hot water supply is not 10° above desired set point.	Increase hot water supply temperature
	Valve temperature is not properly set.	Adjust the temperature as shown on page 19, step 10.
Limited water flow.	Dirt and debris have built up in the valve or strainer.	<ol style="list-style-type: none"> <li>1. Check to make sure both hot and cold supplies are connected to the Navigator mixing valve and that they have water flow.</li> <li>2. Remove cover and U-clip. Remove the cartridge and clean the strainer. It is not required to grease cartridge, however if desired, use silicone grease only. Do not use grease on check valves.</li> </ol>



### Parts List

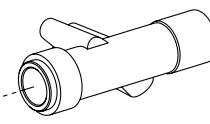
Item	Part No.	Description	Quantity
			S59-4000
1	160-463	Cap Screw	1
2	107-582	Cover	1
3	269-1927	Thermostatic Cartridge	1
4	198-014	Check Valve*	2
5	132-051	Retaining Ring*	2
6	118-319	Valve Body	1
7	146-079	U-Clip	1

\* Included with Prepack S65-326

#### Tempered Line Adapter Option Part no. S39-804

(replaces S59-4000 if tempered line is used)

Strainer  
(173-028)



## ⚠ AVERTISSEMENT

S'assurer que toutes les conduites d'arrivée d'eau ont été purgées puis correctement fermées avant de commencer la pose. La présence de débris dans les conduites peut causer un mauvais fonctionnement des vannes.

Couper l'alimentation électrique des prises de courant, puis débrancher tous les appareils électriques avant de procéder à la pose. L'alimentation électrique doit **IMPÉRATIVEMENT** être coupée jusqu'à la fin de la pose. Une fois l'installation terminée, ouvrir d'abord l'arrivée d'eau, puis rétablir l'alimentation électrique.

La visserie fournie par l'installateur doit être adaptée à la nature du mur. Les ancrages muraux utilisés doivent avoir une résistance nominale à l'arrachement d'au moins 1 000 lb (4,45 kN).

## IMPORTANT

Veiller à lire ce manuel en entier pour assurer une installation correcte. Lorsque l'installation est terminée, remettre ce manuel au propriétaire ou au service d'entretien. La mise en conformité et le respect de la réglementation en vigueur relèvent de la responsabilité de l'installateur. Les garanties de produit peuvent être trouvées sous « Products » sur notre site Web à [www.bradleycorp.com](http://www.bradleycorp.com).

Déballer les pièces et s'assurer qu'elles sont toutes présentes avant de jeter les emballages. Le cas échéant, ne pas commencer l'installation avant d'avoir obtenu toutes les pièces manquantes.



## AVERTISSEMENT!

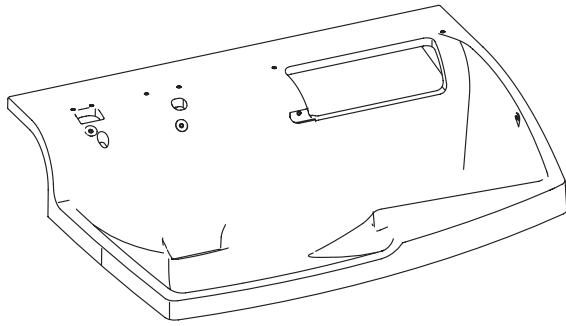


Pour réduire le risque d'incendie ou de décharge électrique, **NE PAS** utiliser cette soufflante avec un quelconque dispositif régulateur de vitesse à semi-conducteurs!

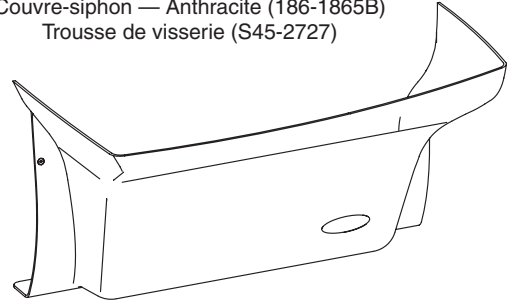
## AVIS

Sous réserve de supervision ou d'instructions appropriées, cet appareil peut être utilisé par de jeunes enfants ou des personnes ayant des besoins spéciaux. Ceci n'est pas un jouet. Le nettoyage et l'entretien doivent être confiés exclusivement à du personnel qualifié.

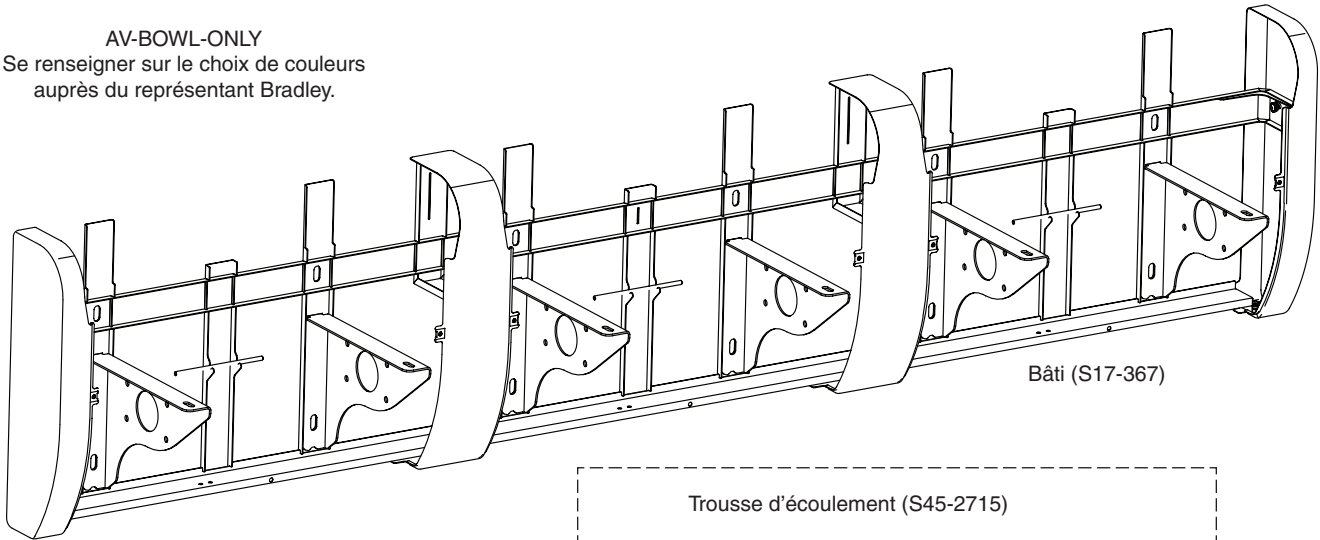
# Composants



Couvre-siphon — Anthracite (186-1865B)  
Trousse de visserie (S45-2727)






AV-BOWL-ONLY  
Se renseigner sur le choix de couleurs  
auprès du représentant Bradley.


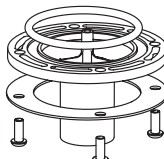


Bâti (S17-367)

Trousse de quincaillerie vasque/  
bâti (S45-2732)

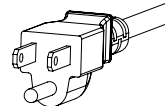
-  Rondelle, dia. 1"  
(142-002CG)
-  Rondelle carrée  
(142-136)
-  Trousse de  
quincaillerie  
(S45-1794)

Trousse d'écoulement (S45-2715)

-  Trousse écoulement,  
bonde et tamis (S45-  
2714)
-  Trousse adaptateur  
d'écoulement  
(S45-2480)

Adaptateur  
d'alimentation de  
distributeur de  
savon/robinet  
120 VCA/12 VCC  
(261-147A)

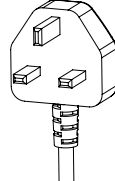
Cordon d'alimentation de  
sèche-mains 120 V



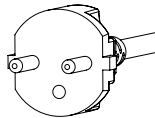
(S83-210NA)

Adaptateur  
d'alimentation de  
distributeur de  
savon/robinet  
230 VCA/12 VCC  
(261-154)

Cordon d'alimentation de  
sèche-mains 230 V

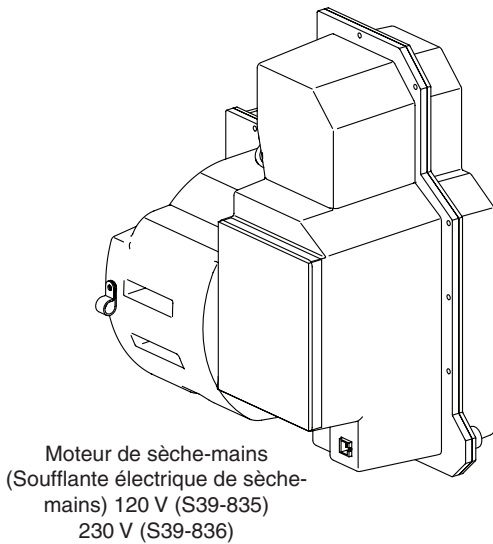
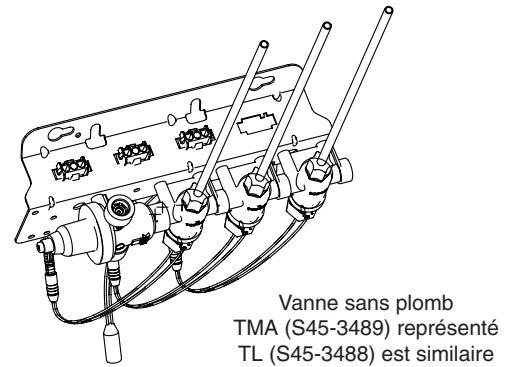
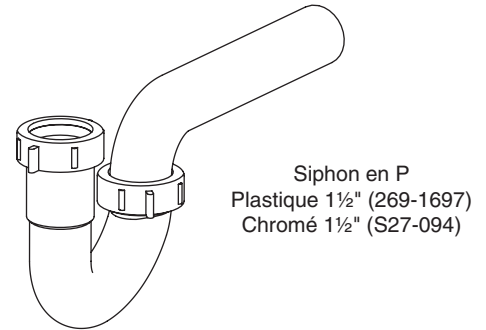
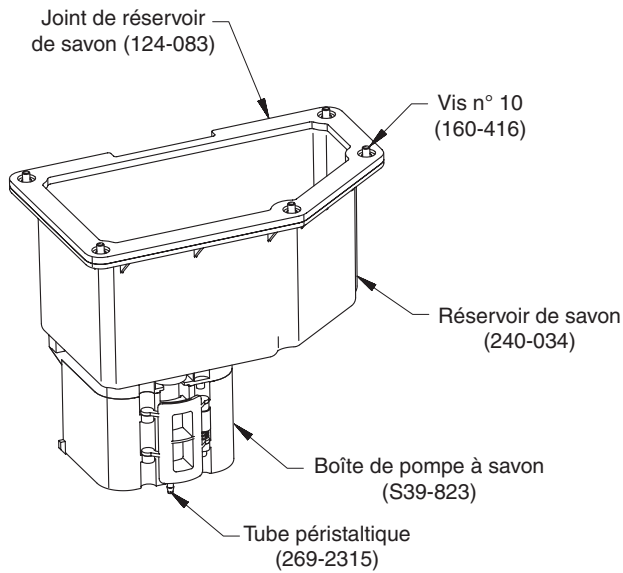
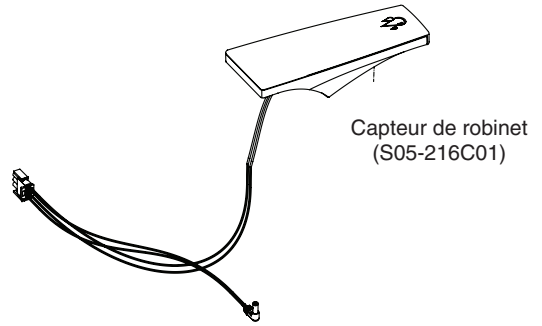
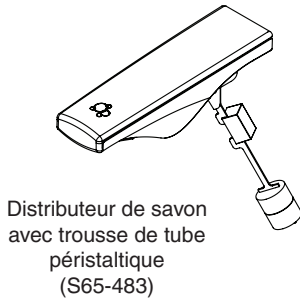


(S83-210UK)

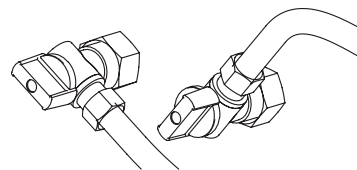


(S83-210EU)

# Composants

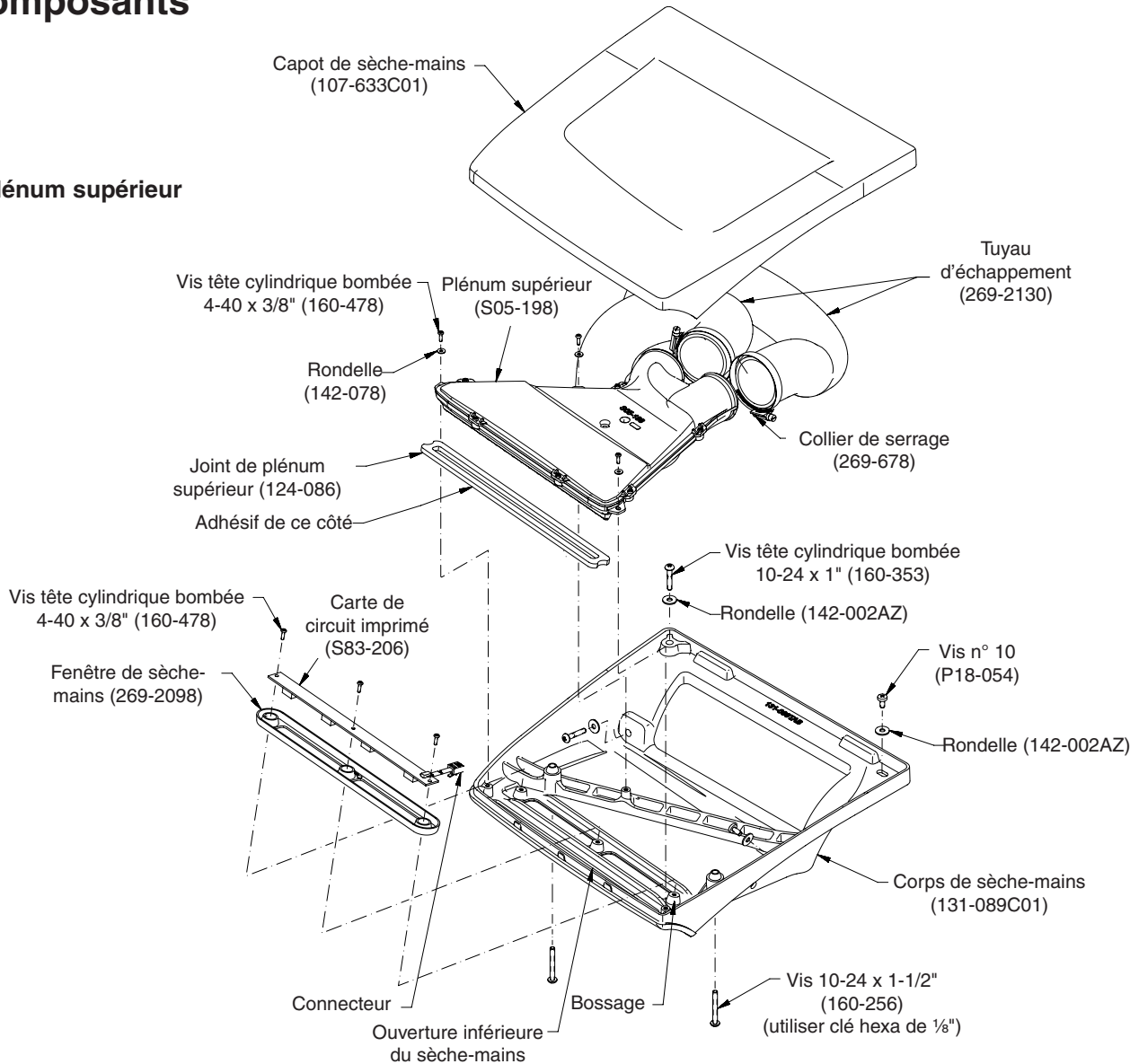


Filtre de rechange - Sèche-mains (269-2128)



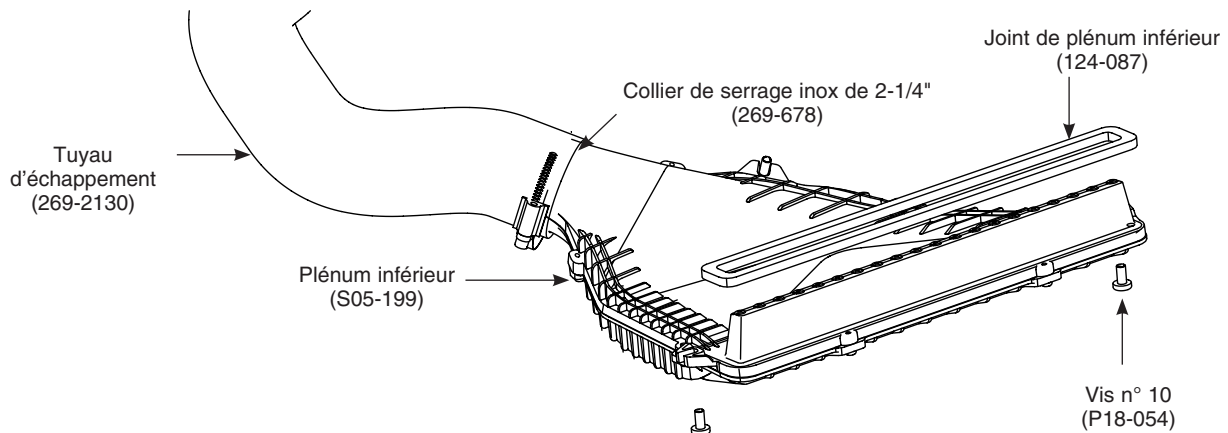
# Composants

## Plénum supérieur



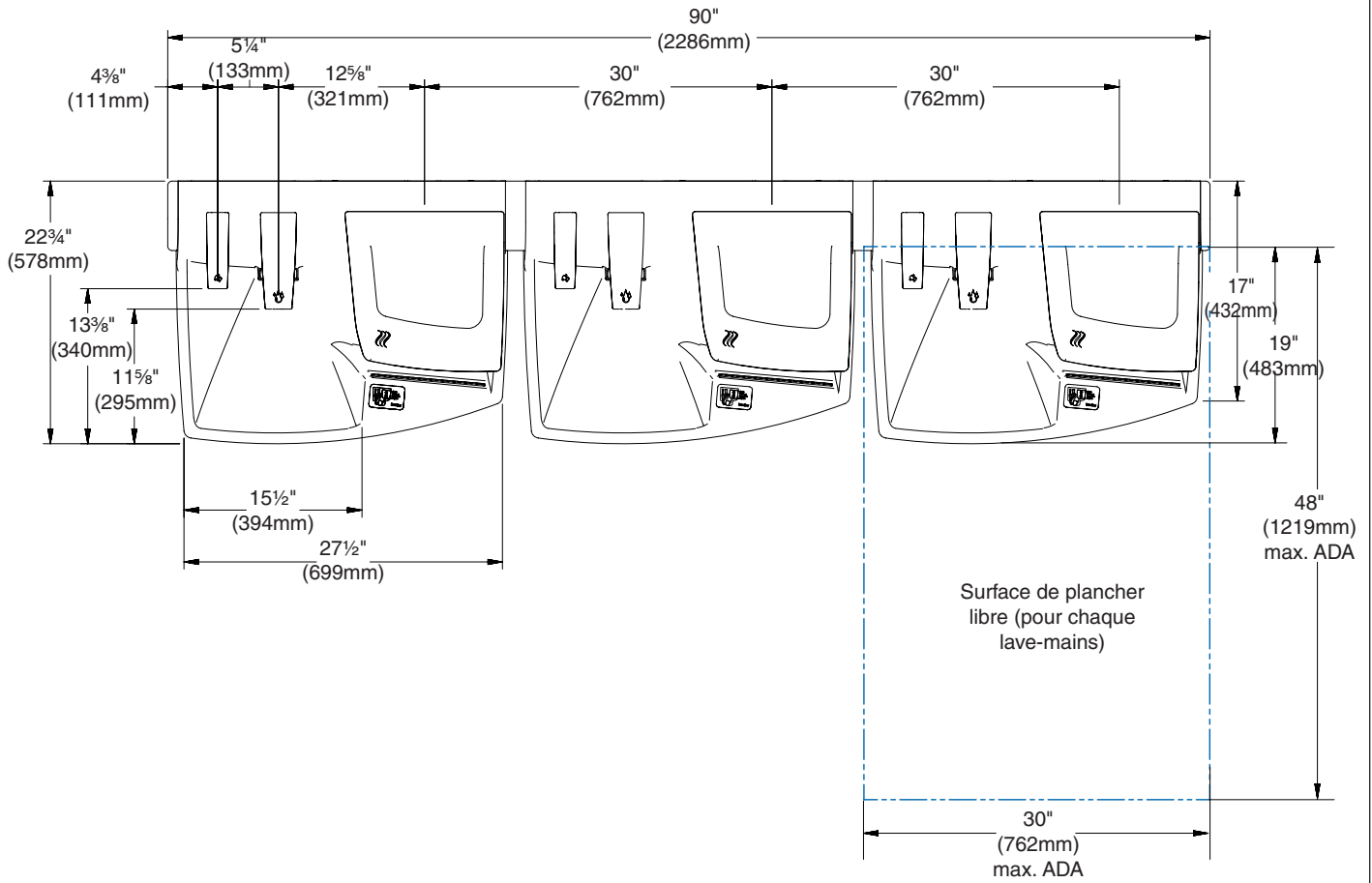
## Plénum inférieur

## Trousse plénum inférieur (S45-2795)

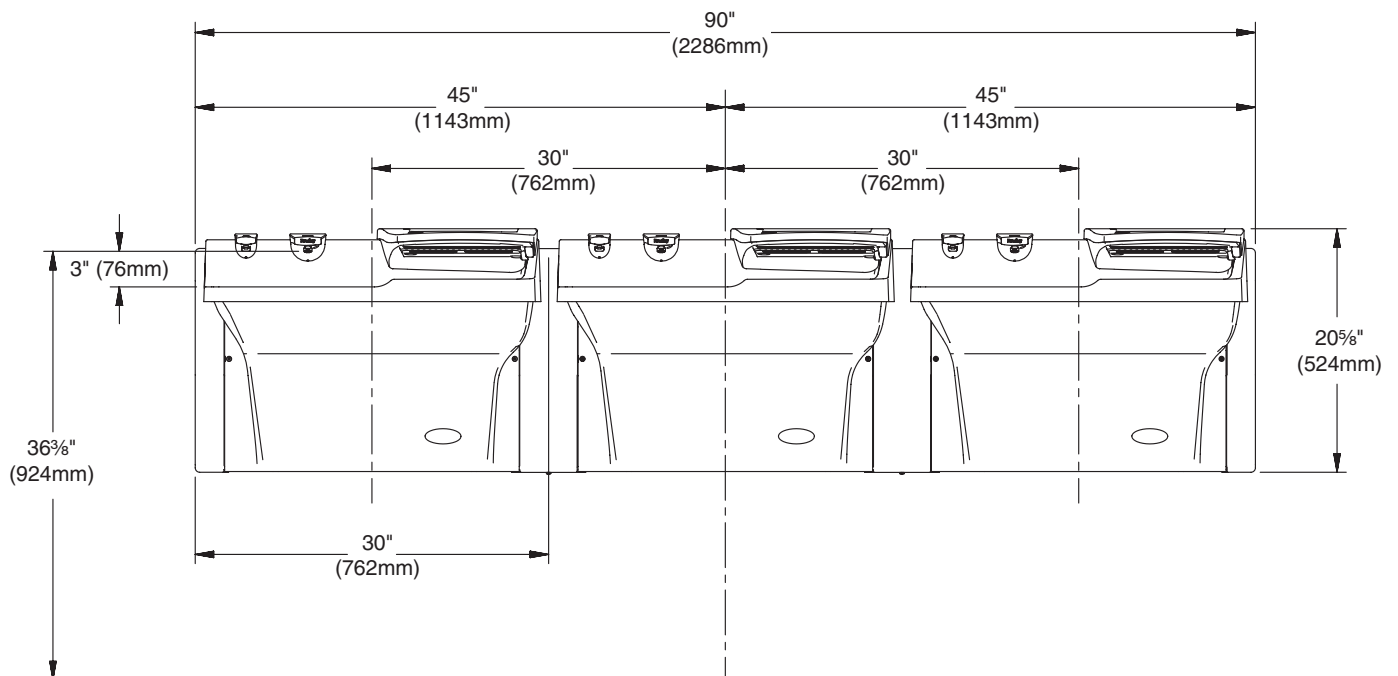


# Dimensions — Vues de dessus et de face

**Vue de dessus**

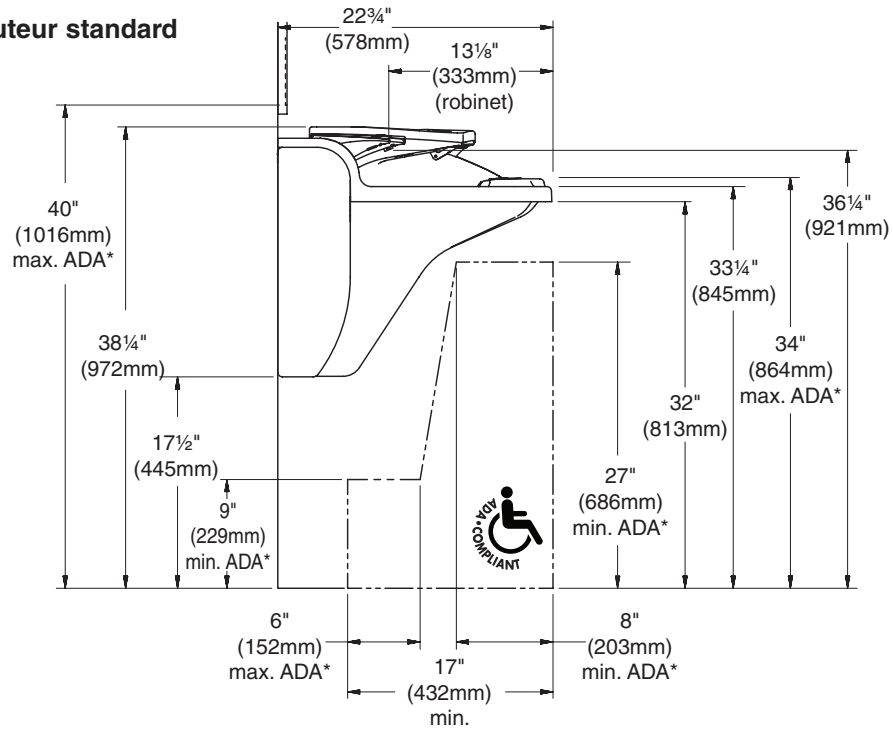


**Vue de face**

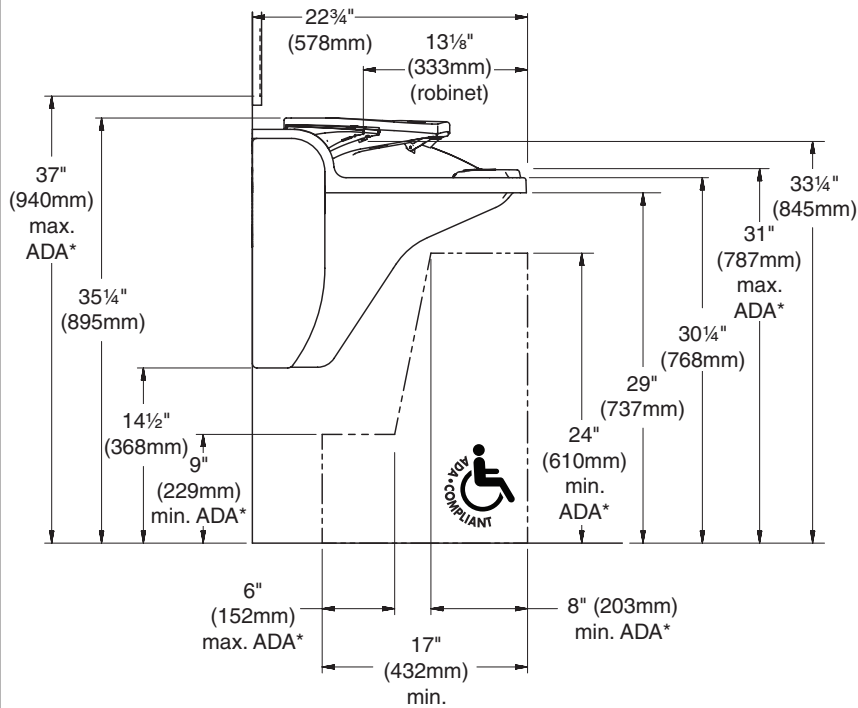


# Dimensions — Vue de côté (ADA)

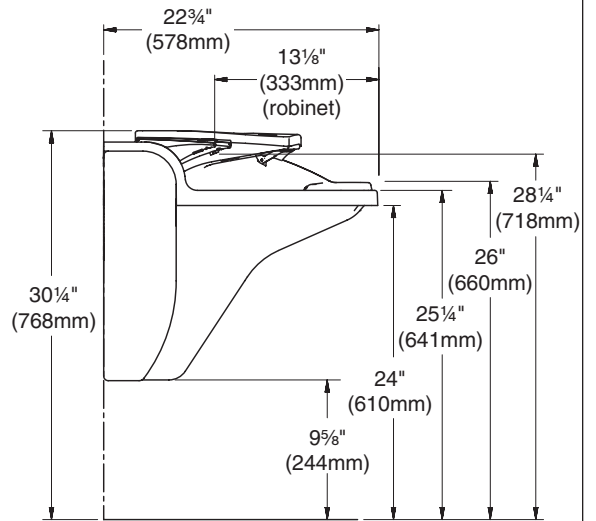
**ADA et TAS, hauteur standard**



**ADA et TAS, hauteur enfant 6e à 12e années**



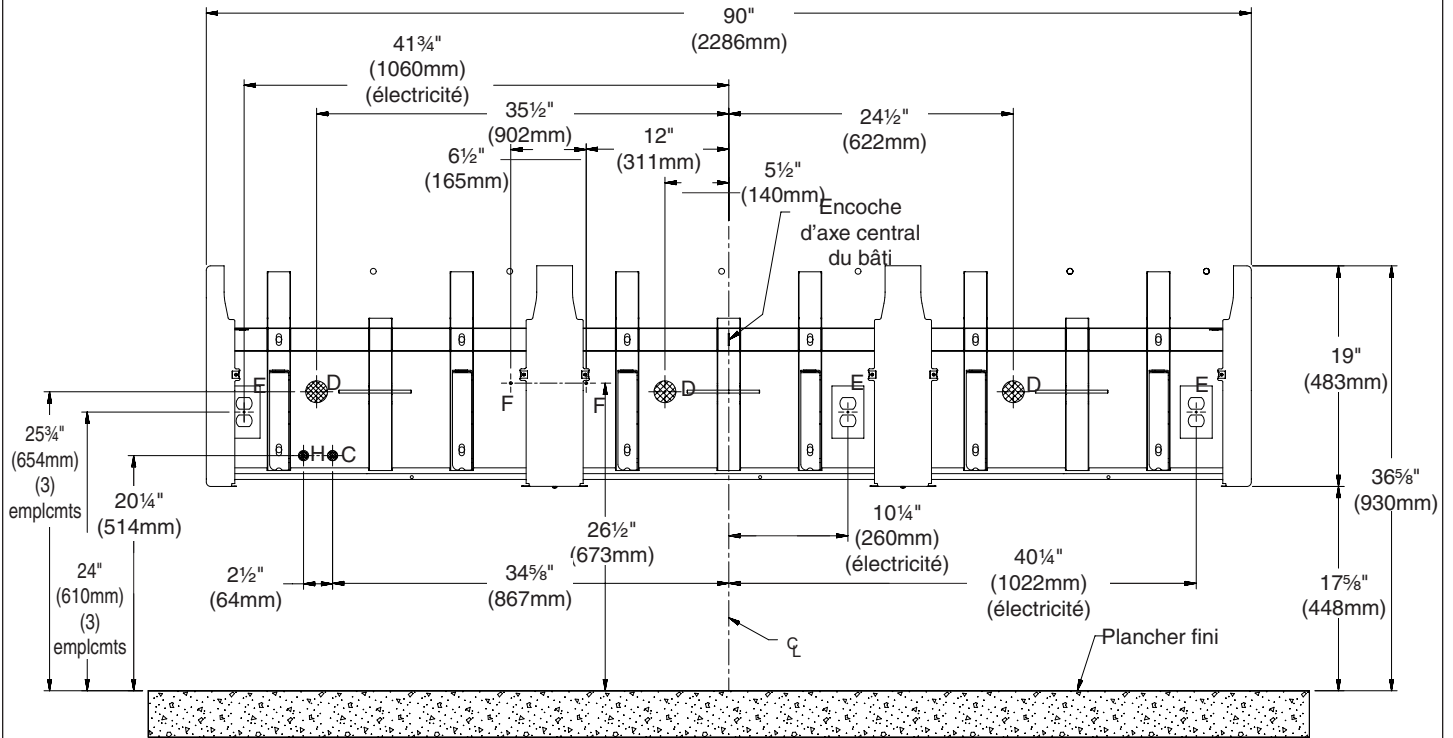
**Hauteur junior**



# 1a Raccordements (eau chaude/froide, écoulement, électricité et vanne)



Le cas échéant, les robinets d'arrêt coudés d'arrivée d'eau chaude et froide peuvent être posés sur les tubulures de raccordement dès maintenant.




CODE	DESCRIPTION	QTÉ
H, C	Arrivées d'eau chaude/froide de 1/2" nominal (comp. 5/8" dia. ext.), tubulure à 2" (51mm) du mur	1
D	Écoulement 1 1/2" NPT, tubulure à 2" (51mm) du mur	3
E	Prise électrique 120 V, 20 A à disjoncteur à protection DDFT (GFI) ou circuit 10 A minimum requis pour 230 V (en fonction des produits choisis) Le disjoncteur doit avoir une capacité nominale de courant de surcharge instantané d'au moins 6 fois son intensité nominale de coupure.	3
F	Ancrages n° 10 pour l'installation du support de vanne	2

HAUTEUR DU REBORD	AJUSTEMENTS DE LA HAUTEUR POUR LES CODES A, B, H, C, D et E	TYPE D'APPAREIL
34"	Pas d'ajustement	ADA et TAS, hauteur standard
31"	Retrancher 3" (76mm)	ADA et TAS, hauteur enfant 6e à 12e années
26"	Retrancher 8" (203mm)	Junior



# 1b Pièces de renfort

**✓** Les surfaces marquées  nécessitent un renfort suffisant conforme au code du bâtiment en vigueur. Le matériel d'ancrage n'est pas fourni.

**✓** Retirer la pellicule laser blanche des capuchons d'extrémité avant l'installation du bâti sur le mur.

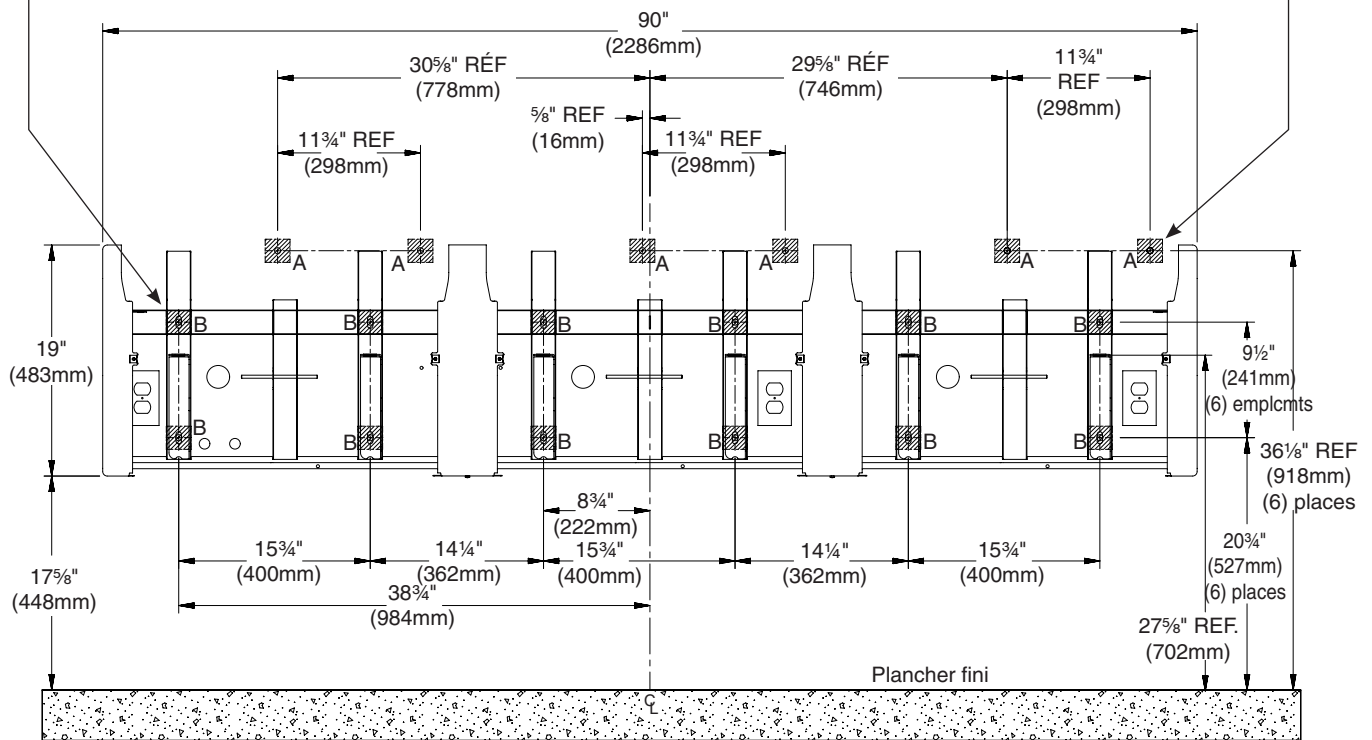
**✓** Pour des raisons de clarté, le bloc moteur n'est pas représenté.

**✓** Voir l'étape 2 avant de percer les points d'ancrage de la vasque.

**A** Installer les ancrages muraux conformément aux normes en vigueur aux emplacements indiqués ci-dessous.

**B** Fixer le bâti au mur aux 12 emplacements marqués « B » à l'aide de la visserie appropriée (des rondelles carrées de 1 1/4" sont fournies). Une fois le montage terminé, vérifier que le bâti est de niveau.

**\*Voir l'étape 2 avant des percer les points d'ancrage de la vasque**



CODE	DESCRIPTION	QTÉ
A	Ancrages de vasque de 3/8" de résistance à l'arrachement d'au moins 1 000 lb (4,45 kN)	6
B	Ancrages de bâti de 3/8" de résistance à l'arrachement d'au moins 1 000 lb (4,45 kN)	12
HAUTEUR DU REBORD	AJUSTEMENTS DE LA HAUTEUR POUR LES CODES A, B, H, C, D et E	TYPE D'APPAREIL
34"	Pas d'ajustement	ADA et TAS, hauteur standard
31"	Retrancher 3" (76mm)	ADA et TAS, hauteur enfant 6e à 12e années
26"	Retrancher 8" (203mm)	Junior

## 2 Montage du bâti et de la vasque

- Lorsqu'elle est correctement installée, la vasque est de niveau et contre le mur arrière.*
- Pour plus de clarté, le distributeur de savon pré-monté, le bec de robinet, le sèche-mains et les tuyaux d'air ne sont pas représentés.*

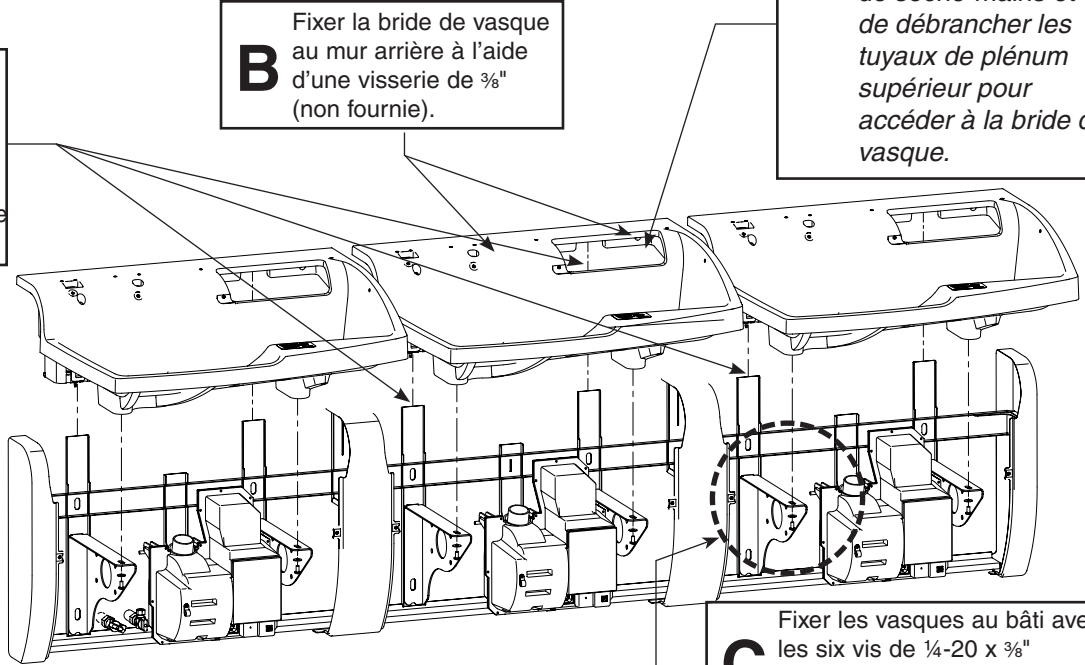
*Accès à la bride de vasque à travers l'ouverture d'accès du sèche-mains. Voir l'étape 5 pour plus de renseignements sur la façon de déposer le capot de sèche-mains et de débrancher les tuyaux de plénum supérieur pour accéder à la bride de vasque.*

**A** Mettre la vasque en place sur le bâti. Le montant vertical de support de bâti s'engage dans la rainure de la vasque comme représenté.

**B** Fixer la bride de vasque au mur arrière à l'aide d'une visserie de 3/8" (non fournie).

**C** Fixer les vasques au bâti avec les six vis de 1/4-20 x 3/8" (réf. 160-389) les rondelles (réf. 142-002DB) fournies.

*Utiliser la bride arrière de la vasque en guise de gabarit pour marquer l'emplacement des deux (2) trous de fixation sur le mur. Après avoir marqué le mur, installer des ancrages muraux adaptés. Voir l'étape 1b.*



## 3 Écoulement et siphon en P

*Pour plus de clarté, le distributeur de savon, le robinet d'eau, le sèche-mains et le bâti ne sont pas représentés.*

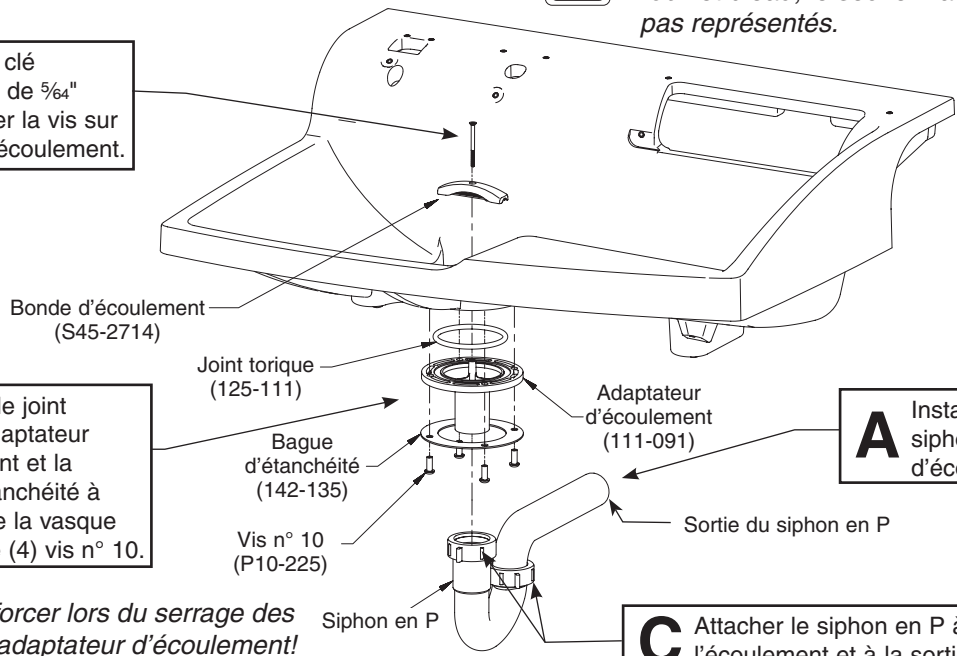
**D** Utiliser une clé hexagonale de 5/64" pour installer la vis sur la bonde d'écoulement.

**B** Assembler le joint torique, l'adaptateur d'écoulement et la bague d'étanchéité à l'embase de la vasque avec quatre (4) vis n° 10.

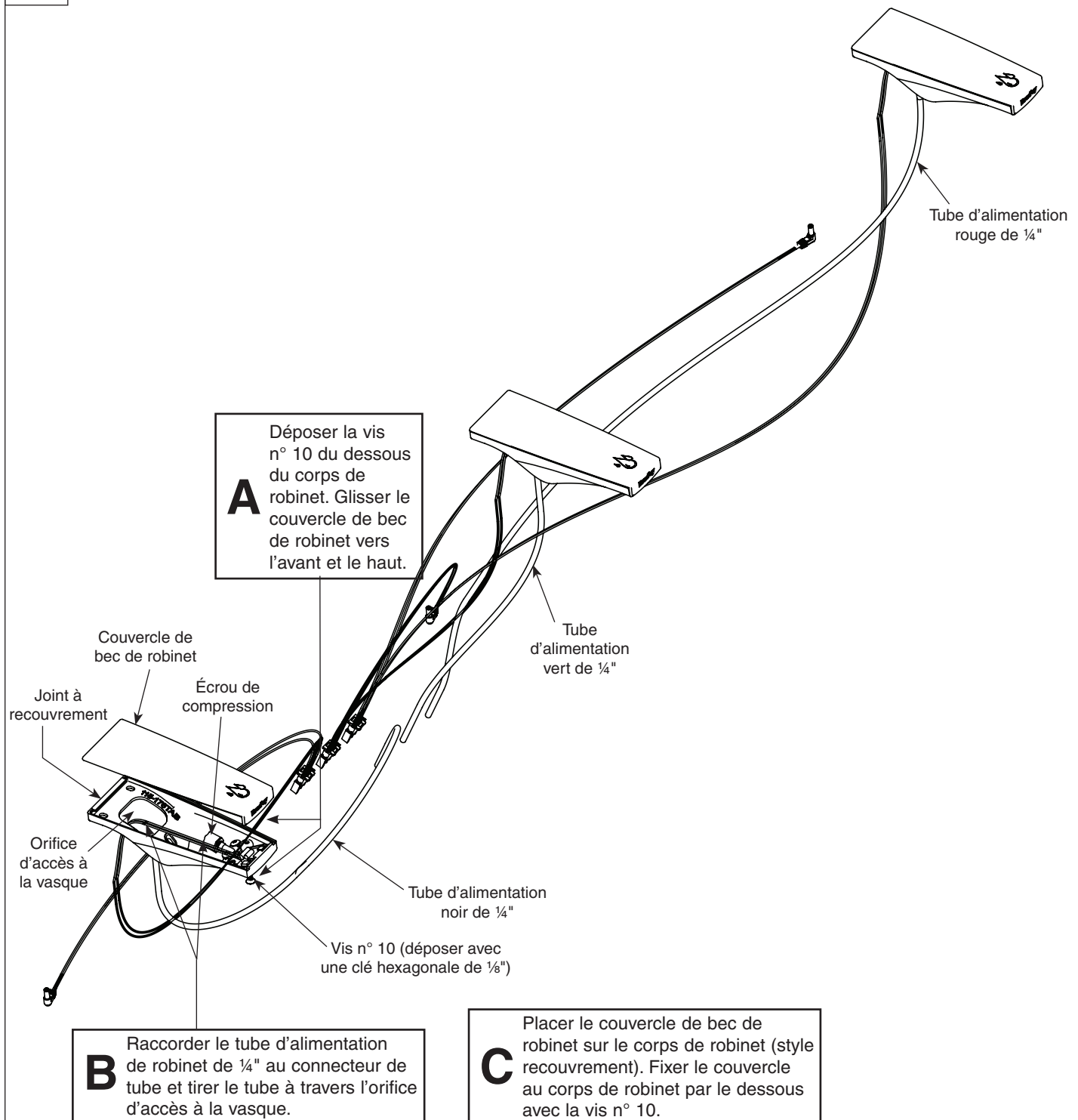
**A** Installer la sortie du siphon en P sur le raccord d'écoulement mural.

*Ne pas forcer lors du serrage des vis sur l'adaptateur d'écoulement!*

**C** Attacher le siphon en P à l'écoulement et à la sortie.



## 4 Montage du tube d'alimentation du robinet

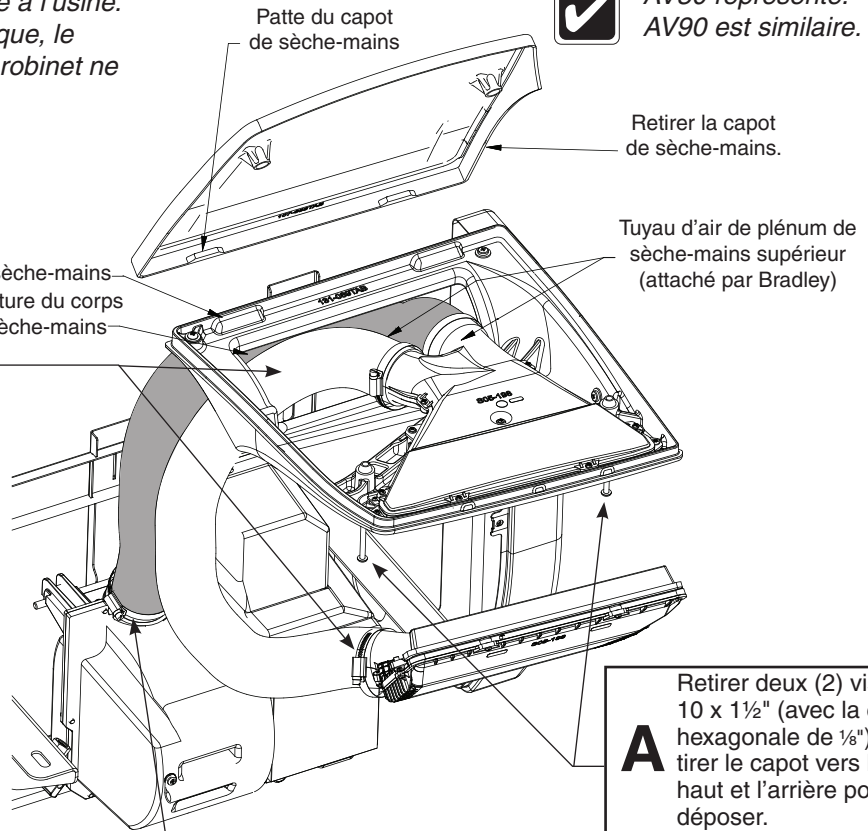


## 5 Montage du tuyau d'air de plénum de sèche-mains

Le sèche-mains est installé à l'usine. Pour plus de clarté, la vasque, le distributeur de savon et le robinet ne sont pas représentés.

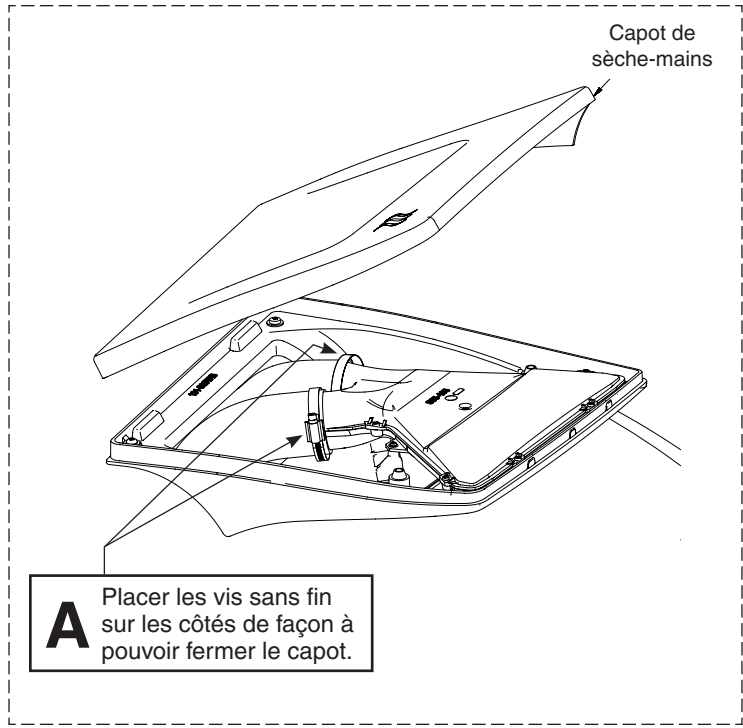
AV30 représenté. AV90 est similaire.

**B** Faire passer le tuyau d'air du plénum supérieur gauche à travers l'ouverture du corps de sèche-mains et l'attacher au plénum de sèche-mains inférieur.



**A** Retirer deux (2) vis n° 10 x 1 1/2" (avec la clé hexagonale de 1/8") et tirer le capot vers le haut et l'arrière pour le déposer.

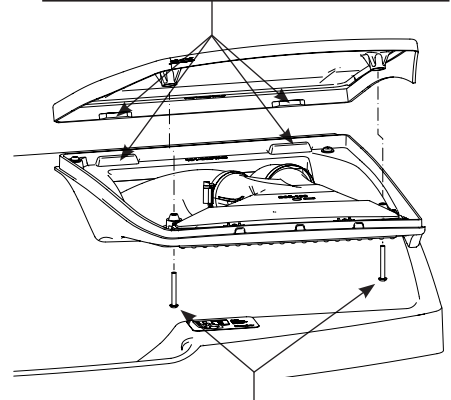
**C** Faire passer le tuyau d'air du plénum supérieur droit à travers l'ouverture du corps de sèche-mains et l'attacher à l'entrée du moteur de sèche-mains.



**A** Placer les vis sans fin sur les côtés de façon à pouvoir fermer le capot.

### Remontage du capot de sèche-mains

**A** Placer les pattes du capot de sèche-mains dans les poches du corps de sèche-mains.

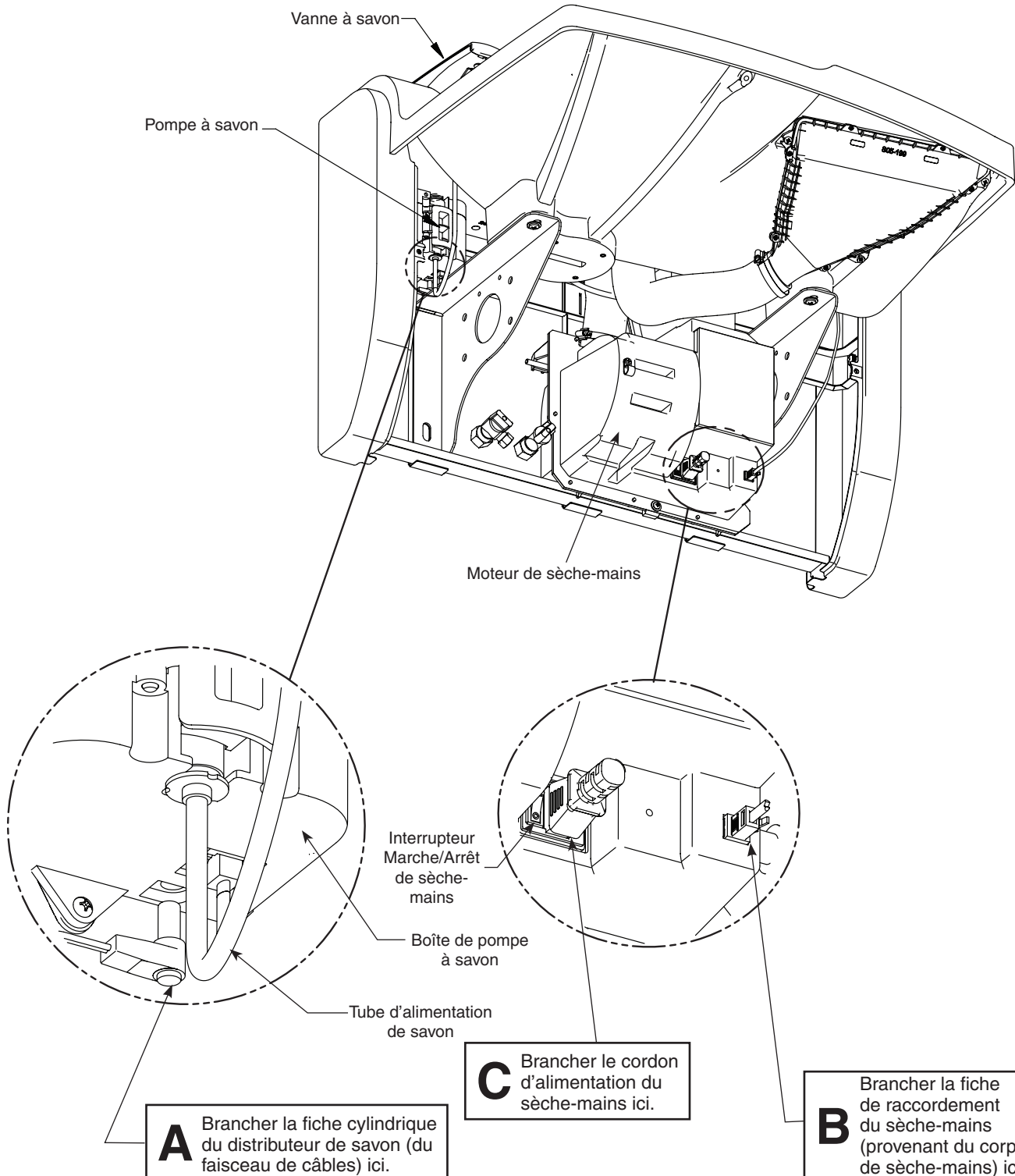


**B** Rabattre le capot et le fixer au corps avec les deux vis n° 3/8". Utiliser une clé hexagonale de 1/8".

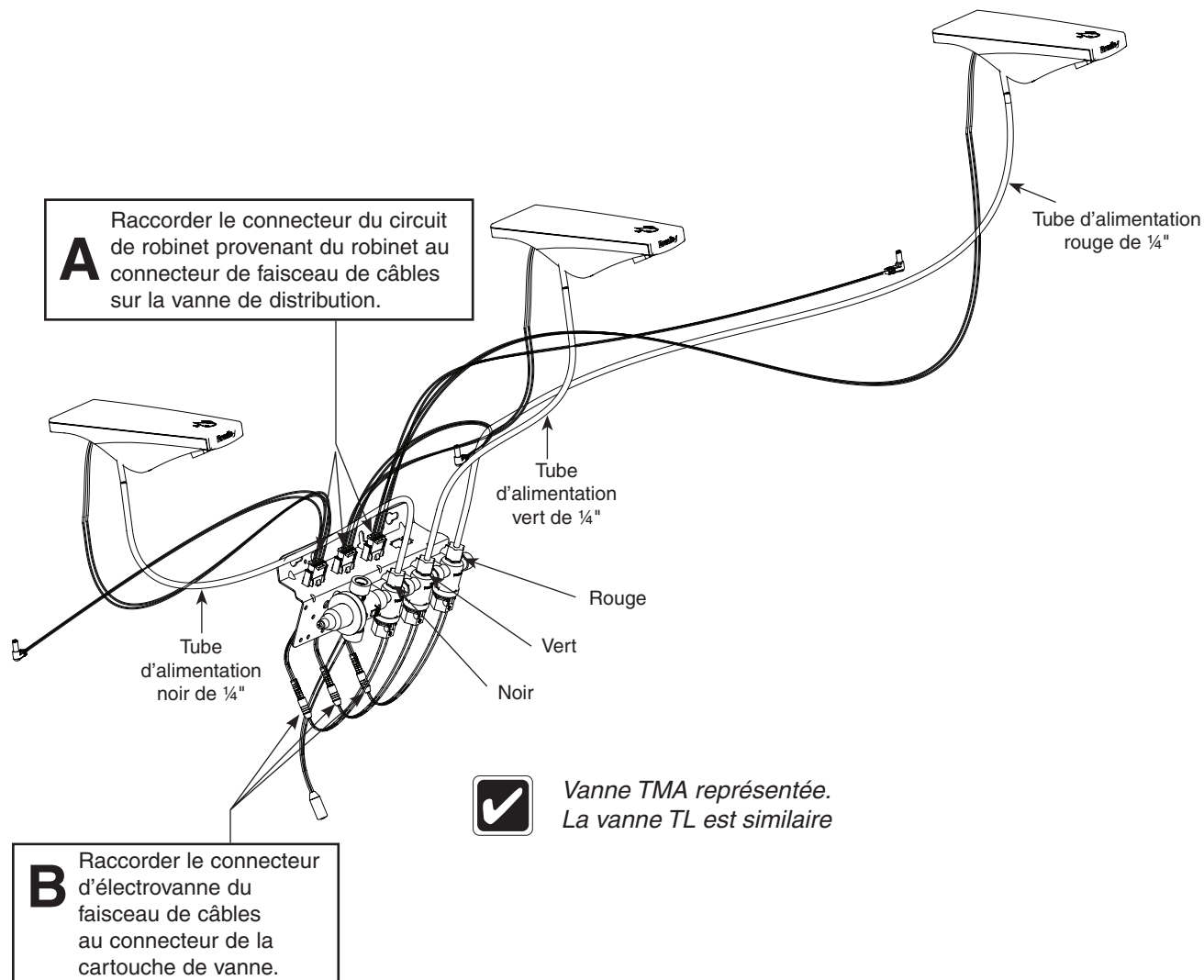
## 6 Branchements du distributeur de savon et du sèche-mains



AV30 représenté.  
AV90 est similaire.



## 7a Raccordement de fiche de circuit de robinet/vanne de distribution



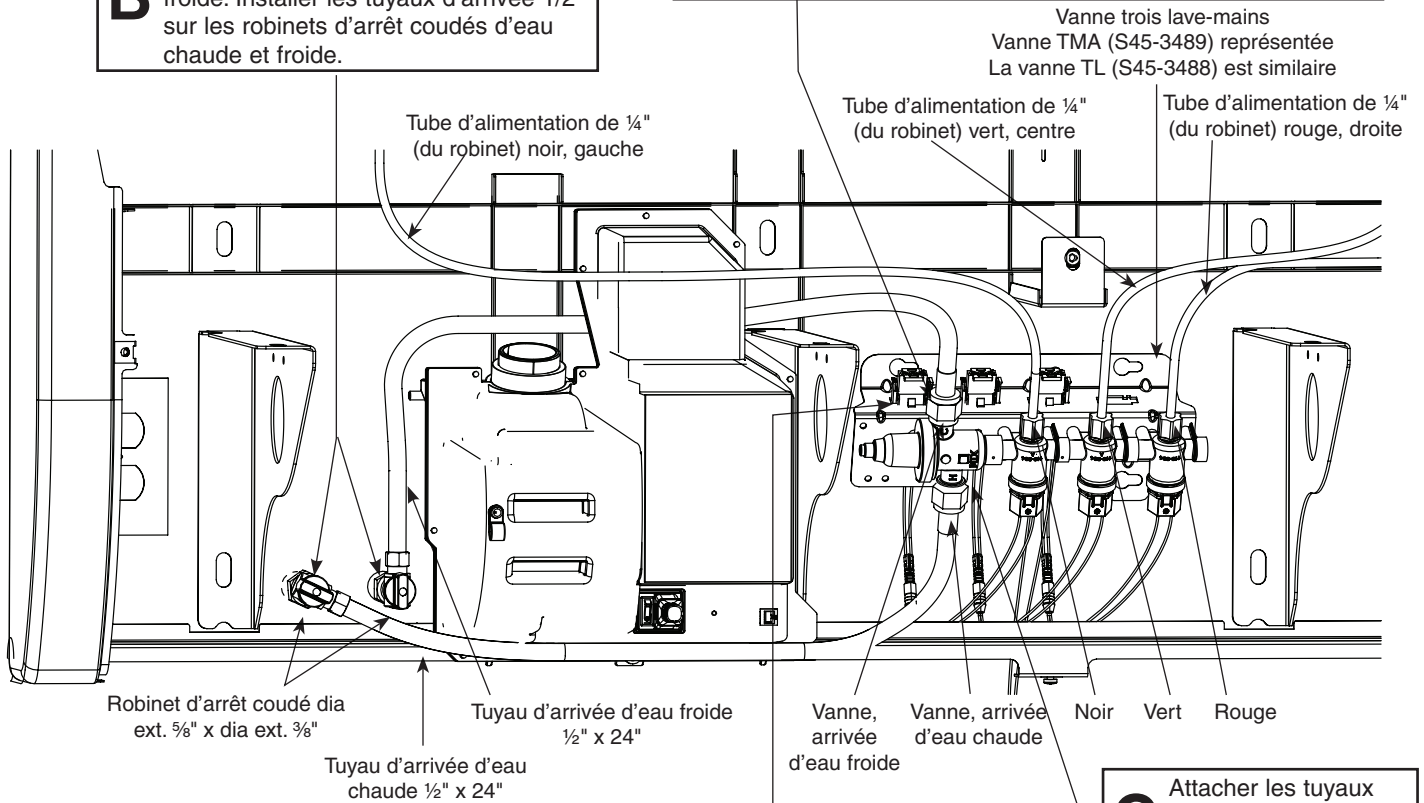
## 7b Montage des vannes



Pour des raisons de clarté, le tuyau de sèche-mains avant n'est pas représenté.

**B** Installer des robinets d'arrêt coudés sur les tubulures d'arrivée d'eau chaude et froide. Installer les tuyaux d'arrivée 1/2" sur les robinets d'arrêt coudés d'eau chaude et froide.

**A** Desserrer l'écrou de compression. Enfoncer fermement le tube d'alimentation du robinet dans le connecteur de tube jusqu'au fond. Resserrer l'écrou de compression à la main.



Vanne trois lave-mains  
Vanne TMA (S45-3489) représentée  
La vanne TL (S45-3488) est similaire

Tube d'alimentation de 1/4"  
(du robinet) vert, centre

Tube d'alimentation de 1/4"  
(du robinet) rouge, droite

Tube d'alimentation de 1/4"  
(du robinet) noir, gauche

Robinet d'arrêt coudé dia  
ext. 3/8" x dia ext. 3/8"

Tuyau d'arrivée d'eau froide  
1/2" x 24"

Tuyau d'arrivée d'eau  
chaude 1/2" x 24"

Vanne, arrivée  
d'eau froide

Vanne, arrivée  
d'eau chaude

Noir

Vert

Rouge

**D** Brancher la fiche de l'adaptateur d'alimentation dans la prise d'entrée d'alimentation de faisceau sur le support de la vanne de distribution. Fixer la vanne de distribution au mur. Voir l'emplacement des ancrages du support de vanne à l'étape 1a. L'adaptateur d'alimentation se branche directement dans la prise murale.

**C** Attacher les tuyaux d'arrivée d'eau chaude et froide à la vanne.



## 8 Branchement du transformateur savon/robinet et du sèche-mains



Installation 120 V représentée, 230V est similaire.

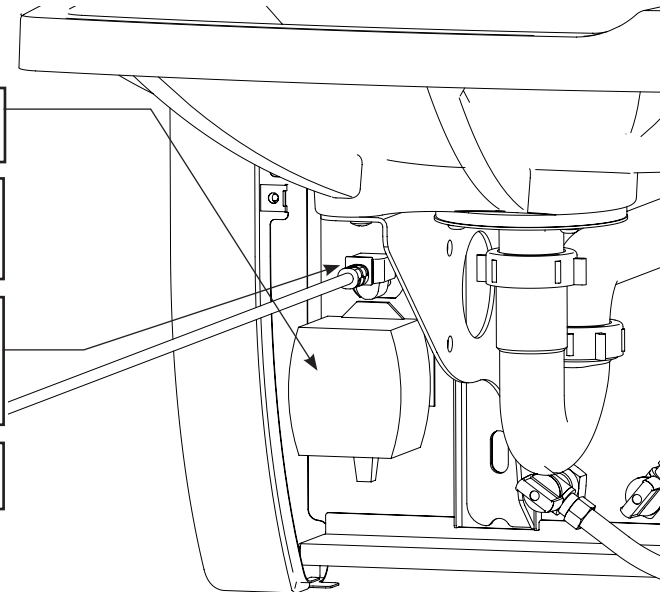
**A** Plug the soap/faucet power adapter into the wall outlet at this location.

**B** Placer la main sous le robinet pour l'activer. Purger l'air de la conduite d'alimentation. Voir le réglage de température de l'eau à l'étape 10.

**C** Brancher le cordon électrique du moteur de sèche-mains dans la prise murale ici (circuit de 20 A requis pour une installation de 120 V. Circuit de 10 A requis pour une installation de 230 V).

**D** Brancher l'autre côté du cordon de moteur de sèche-mains sur le moteur du sèche-mains (voir page 41).

**E** Mettre l'interrupteur Marche/Arrêt du sèche-mains en position Marche.



## 9 Remplissage du réservoir de savon et amorçage du distributeur de savon (modèle série AV Soap-1)



Voir la section Savons recommandés avant de remplir le distributeur de savon.

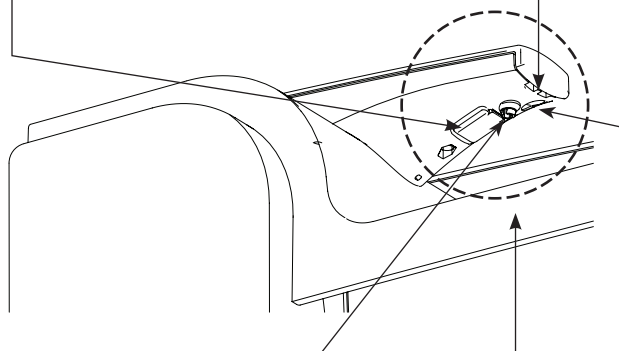
**A** Placer la clé de distributeur de savon dans le trou de serrure sous le corps du distributeur. Enfoncer la clé vers le haut et la tourner délicatement jusqu'à ce que le capot se déverrouille du corps de distributeur. Relever le capot de distributeur.

**D** Une fois que le système de savon est amorcé, remplir le réservoir de savon (capacité 64 oz / 1,9 l) par l'orifice de remplissage. Un signal sonore est audible et devient plus intense lorsque le réservoir s'approche de 95 % de remplissage.

**E** Rabattre le capot de distributeur et l'enclencher dans le corps de distributeur.



Voyant indicateur de niveau de savon ; clignote en rouge lorsque le niveau de savon est bas.



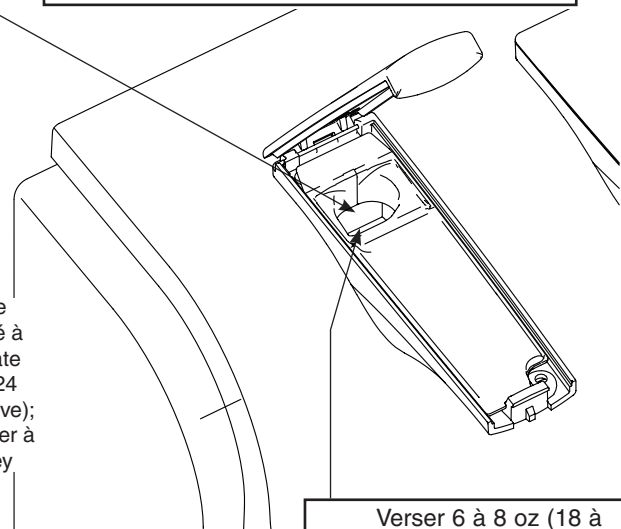
Vis de sécurité à tête plate n° 10-24 (facultative); s'adresser à Bradley



Pour assurer un fonctionnement optimal du distributeur de savon, essuyer la buse à l'eau chaude. Cela empêche l'accumulation de savon.

**C** Placer la main sous la buse pour activer le distributeur de savon pendant 15 secondes. Garder la main en place une fois que le savon commence à s'écouler pendant un maximum de 30 secondes. Au bout de 8 à 12 activations, la pompe a été amorcée et on peut retirer la main de dessous le distributeur. Le voyant DEL clignotera vert pendant le mode Amorçage automatique.

**B** Verser 6 à 8 oz (18 à 24 cl) d'eau dans l'orifice de remplissage de savon pour amorcer la pompe.





## 10 Réglage de la température d'eau du robinet



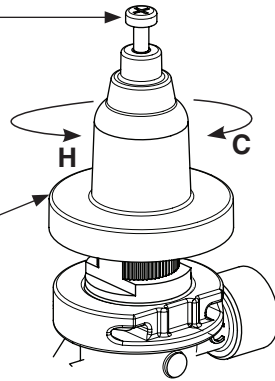
Cette vanne n'est PAS pré réglée à l'usine. Lors de l'installation, la température de cette vanne doit être contrôlée et ajustée pour s'assurer que l'eau est fournie à une température sans danger. Une eau à plus de 43 °C (110 °F) peut ébouillanter.

**A**

Desserrer la vis à tête de 1/4" (6 mm) environ (4 à 6 tours) et soulever le capuchon (ne pas l'enlever).

**B**

À l'aide du capuchon, tourner lentement la cartouche jusqu'à obtenir la température d'eau souhaitée. Pour ne pas endommager l'appareil, ne pas tourner au-delà des butées. Renfoncer le capuchon et serrer la vis.



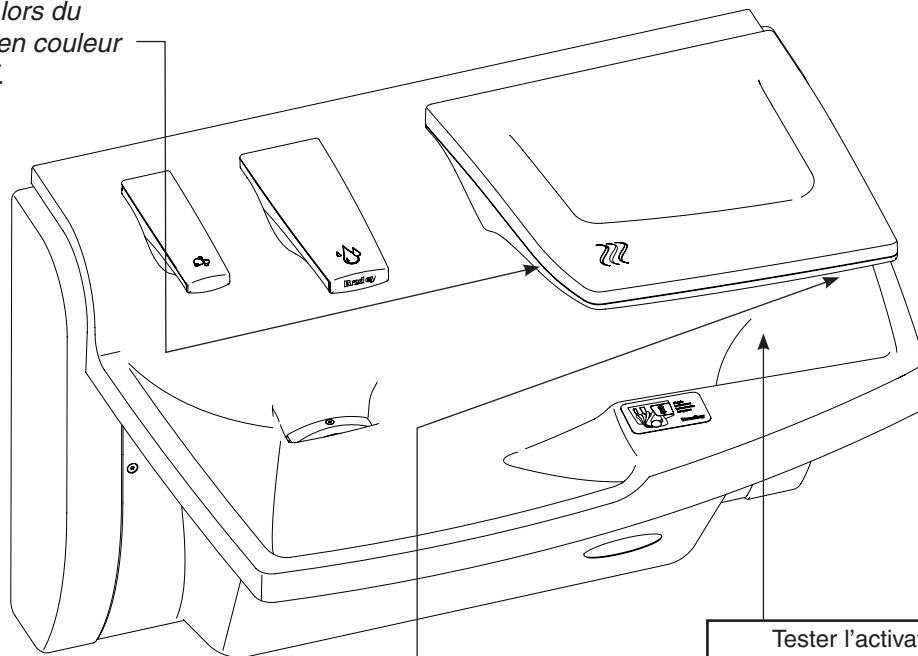
## 11 Activation du sèche-mains



AV30 représenté. AV90 est similaire.



La cavité du sèche-mains s'allume en blanc lors du mode de veille et en couleur lors du mode actif.



**A**

Tester l'activation du sèche-mains en plaçant les mains dans la cavité du sèche-mains et en les déplaçant d'avant en arrière.



Pour faciliter le nettoyage, le sèche-mains peut être désactivé pendant 30 secondes. Pour désactiver le sèche-mains, tenir les mains sous le corps du sèche-mains ici pendant trois secondes. Le voyant clignote lorsque le sèche-mains est désactivé et clignote de nouveau (au bout de 30 secondes) une fois que le sèche-mains est réactivé.

## 12 Couvre-siphon



Rentrer tous les câbles lâches dans le bâti avant de installer le couvre-siphon sur le bâti.

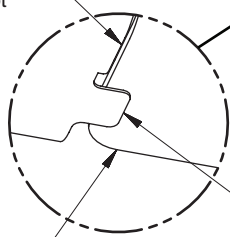


AV30 représenté.  
AV90 est similaire.

**B** Basculer le couvre-siphon vers le haut et engager ses bords à l'intérieur du tablier de la vasque.

**A** Placer le bas du couvre-siphon entre le bord rétreint du capot latéral et la patte inférieure.

Bord rétreint du capot latéral



Couvre-siphon

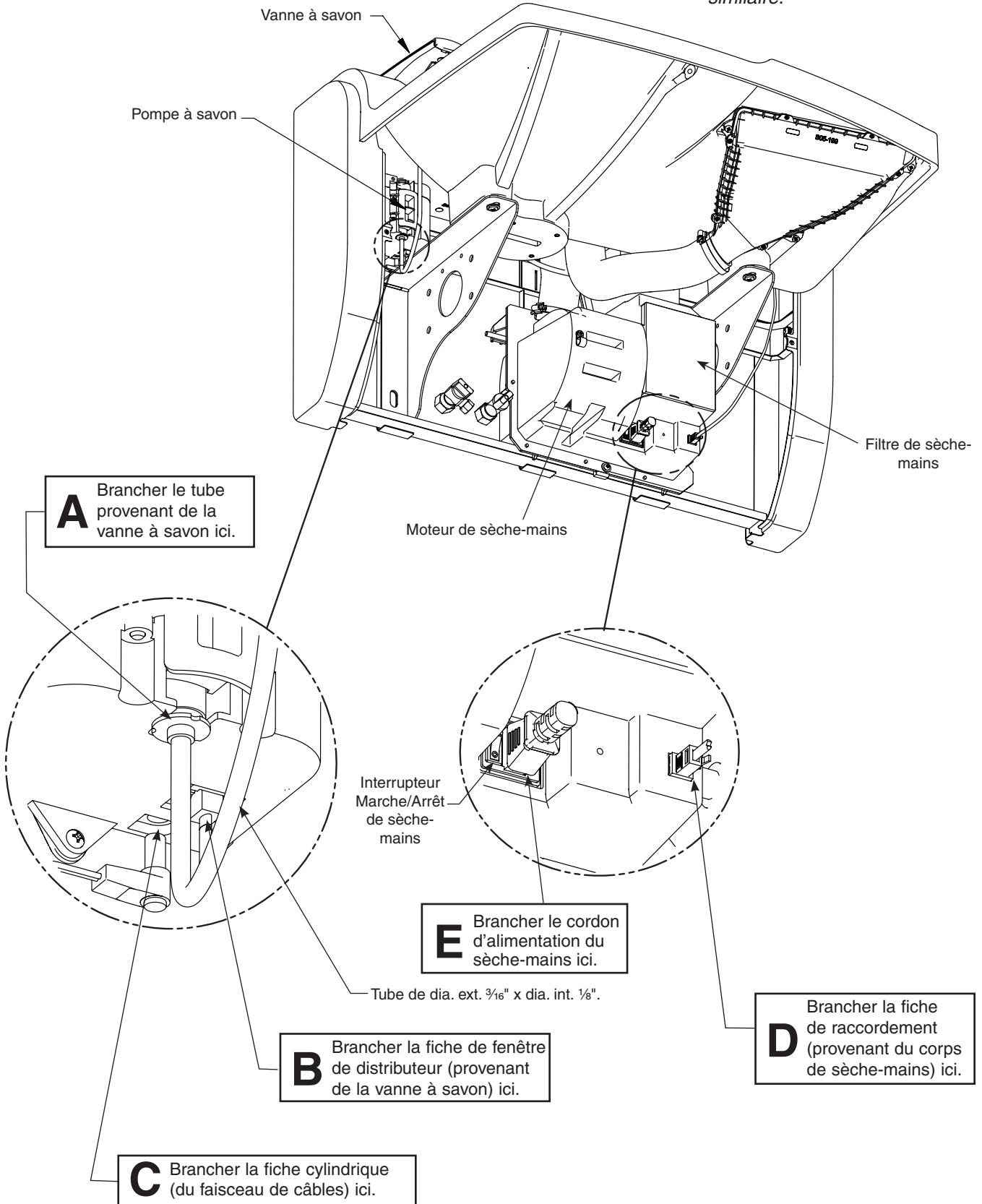
Patte inférieure du capot latéral

**C** Fixer le couvre-siphon avec deux vis à tête plate n° 10 x 1/2" fournies. Utiliser une clé hexagonale de 1/8".

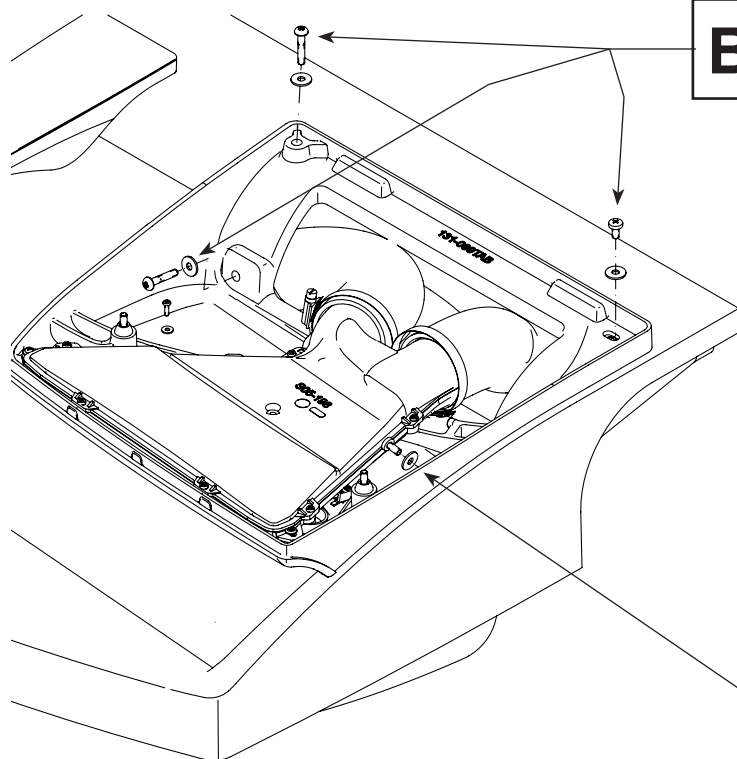
# Branchements du distributeur de savon et du sèche-mains (entretien)



AV30 représenté. AV90 est similaire.



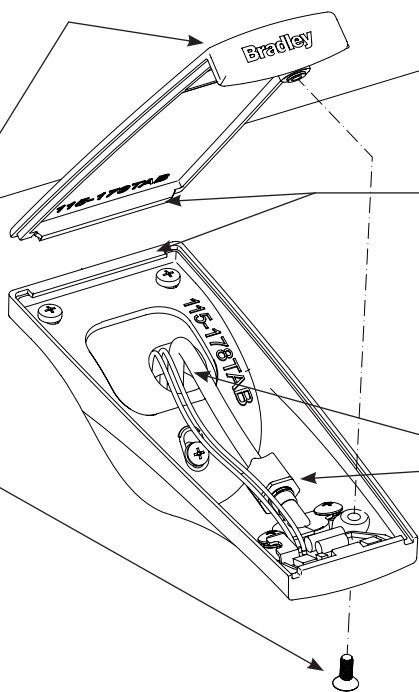
## Remontage du corps de sèche-mains (entretien)



**B** Fixer le corps de sèche-mains à la vasque avec des vis et des rondelles n° 10.

**A** Visser sans serrer la vis n° 10 x 3/4" avec la rondelle dans la paroi latérale.

## Raccordement du robinet (entretien)



**A** Déposer la vis à tête plate n° 10 du dessous du corps de robinet. Glisser le couvercle de bec de robinet vers l'avant et le haut pour le déposer.

**C** Placer le couvercle de bec de robinet sur le corps de robinet (style recouvrement). Fixer le couvercle au corps avec la vis à tête plate n° 10.

**B** Raccorder le tube d'alimentation au connecteur du robinet. Enfiler le tube à travers l'orifice d'accès de la vasque.

## Nettoyage et entretien du Terreon® (vasque)

**Description du matériau :** Le Terreon est un matériau de surface massif densifié composé de résine d'origine biologique et résistant aux produits chimiques, aux taches, aux brûlures et aux chocs. La surface est facilement réparable à l'aide de produits nettoyants ordinaires ou d'abrasifs à grains fins. Comme le Terreon est un matériau moulé unique, l'écoulement et la répartition de son granulats et ses tons de couleur peuvent varier d'un produit à l'autre, contribuant à son apparence naturelle.

**Nettoyage courant :** Pour le nettoyage normal, utiliser des produits nettoyants à base neutre douce.

**Taches résistantes :** Éliminer les taches avec du produit Soft-Scrub® et un tampon Scotch-Brite® vert ou poncer légèrement d'un mouvement circulaire avec du papier de verre mouillé/sec de grain 240. La finition peut ensuite être restaurée avec un tampon Scotch-Brite marron.

**Rayures :** Éliminer les rayures avec un tampon Scotch-Brite vert. La finition peut ensuite être restaurée avec un tampon Scotch-Brite marron.

**Dépôts calcaires :** Éliminer les dépôts calcaires avec une solution diluée de vinaigre et d'eau. Toujours rincer l'appareil avec soin après tout nettoyage.

**Restauration de la surface :** Utiliser le produit Hope's® Perfect Countertop pour rafraîchir et protéger la surface de Terreon. Les couleurs Terreon foncées peuvent nécessiter un entretien et des soins supplémentaires. Voir les instructions complètes sur cet entretien supplémentaire à [bradleycorp.com](http://bradleycorp.com).

**Trousses de réparation :** Des nécessaires de réparation Terreon sont disponibles. S'adresser au représentant ou distributeur Bradley pour connaître les numéros de référence et les prix. Les trousse de réparation sont préparées sur commande et ont une durée de conservation de 30 jours.

**AVIS! Ne pas utiliser de produits nettoyants et détergents fortement acides ou alcalins pour nettoyer le Terreon. Si de tels produits viennent au contact de la surface, essuyer immédiatement et rincer à l'eau savonneuse. Éviter le contact avec des substances corrosives telles que du décapant à peinture, de l'eau de Javel, de l'acétone, etc. Éviter le contact avec des casseroles et autres objets chauds.**

## Nettoyage et entretien de l'acier inoxydable

**Description du matériau :** L'acier inoxydable est extrêmement durable et son entretien est simple et peu coûteux. Il est essentiel de l'entretenir correctement, en particulier sous des conditions corrosives. Toujours commencer par la solution la plus simple et passer progressivement aux solutions les plus complexes.

**Nettoyage courant :** Chaque jour ou aussi souvent que nécessaire, utiliser une solution d'eau tiède et de savon, de détergent ou d'ammoniac. Appliquer la solution nettoyante conformément aux instructions du fabricant et toujours utiliser un chiffon doux ou une éponge pour éviter d'endommager la finition.

**Taches résistantes :** Pour éliminer les taches de l'acier inoxydable, utiliser un produit nettoyant et lustrant pour acier inoxydable de type Ball® ou un abrasif doux. Toujours suivre les instructions du fabricant et appliquer dans le sens des lignes de polissage.

**AVIS! Ne jamais utiliser de paille de fer ordinaire ni de brosse métallique sur l'acier inoxydable. Toujours utiliser de la laine d'acier inoxydable ou une brosse en acier inoxydable.**

**Empreintes et traces de doigt :** Pour éliminer les empreintes et traces de doigt, utiliser un produit nettoyant et lustrant de haute qualité pour acier inoxydable conformément aux instructions du fabricant. Nombre de ces produits laissent une couche protectrice afin d'éviter de futures empreintes et traces de doigt.

**Graisse et huile :** Pour éliminer la graisse et l'huile, utiliser un détergent commercial ou nettoyant caustique de qualité. Appliquer conformément aux indications du fabricant et dans le sens des lignes de polissage.

**Précautions :** Éviter le contact prolongé avec des chlorures (agents de blanchiment, sels), bromures (agents assainissants), thiocyanates (pesticides, produits chimiques pour photographie et certains aliments) et iodures sur le matériel en acier inoxydable, en particulier sous des conditions acides.

**AVIS! Ne pas laisser de solution salée s'évaporer et sécher sur l'acier inoxydable.**

L'apparition de traînées de rouille sur l'acier inoxydable peut donner à croire que l'acier inoxydable est en train de rouiller. Rechercher la source réelle de la rouille parmi des pièces en fer ou en acier pouvant être au contact, mais sans en faire partie, de la structure en acier inoxydable.

**AVIS! Les produits nettoyants fortement acides ou caustiques peuvent attaquer l'acier et provoquer l'apparition d'une pellicule rougeâtre. Éviter d'utiliser ces produits.**

## Nettoyage et entretien du polymère composite renforcé de fibre de verre (pièces du distributeur de savon, du robinet et du sèche-mains)

**Description du matériau :** Le polymère composite renforcé de fibre de verre est un matériau composite constitué d'une matrice polymère renforcée avec de la fibre de verre. Ce matériau résiste aux chocs, il est durable et son entretien est simple et peu coûteux.

**Nettoyage courant :** Chaque jour ou aussi souvent que nécessaire, utiliser une solution d'eau tiède et de savon doux. Appliquer la solution nettoyante conformément aux instructions du fabricant et toujours utiliser un chiffon doux ou une éponge pour éviter d'endommager la finition.

### Situations particulières pour le polymère composite renforcé de fibre de verre

**Rayures :** Si les rayures sont superficielles (c.-à-d. ne pénètrent pas le revêtement transparent), poncer à l'humide avec du papier de verre de grain 3000, puis polir. C'est un processus semblable à une réparation de finition automobile.

**AVIS :** Ne jamais utiliser de produit nettoyant abrasif sur des pièces en fibre de verre composite.

## Noms de marques

L'utilisation de marques a uniquement pour objet d'indiquer le type de produit nettoyant. Elle ne constitue pas une recommandation, pas plus que l'omission d'une quelconque marque n'implique qu'un produit est inapproprié. Nombre des produits nommés sont distribués à l'échelle régionale et peuvent être achetés dans les supermarchés, quincailleries et grands magasins locaux ou par l'intermédiaire d'un service de nettoyage. Il convient de noter que tous les produits doivent être utilisés en stricte conformité avec les instructions figurant sur l'emballage.

## Savons liquides recommandés et entretien du distributeur



*Pour de plus amples informations et recommandations, SVP visitez le site : [www.bradleycorp.com/advocatesoap](http://www.bradleycorp.com/advocatesoap)*

### Vue d'ensemble

Les distributeurs de savon de qualité nécessitent un savon de bonne qualité et un entretien régulier pour fonctionner correctement. Les distributeurs de savon Bradley offriront des années de fonctionnement constant et fiable si un savon de viscosité et de niveau de pH raisonnables est utilisé et que les vannes font l'objet d'un minimum d'entretien régulier. La majorité des problèmes de distributeur de savon sont causés par un savon trop épais ou corrosif ou par un entretien insuffisant. De nombreux savons sont fournis sous forme concentrée et doivent être dilués dans l'eau. Souvent, le savon est mal dilué ou utilisé à l'état pur, ce qui provoque un engorgement et la défaillance des vannes. Si le savon utilisé est correct, des vannes n'ayant jamais été nettoyées sont habituellement la cause des problèmes de distributeur. Moyennant un bon entretien et un savon correct, les distributeurs Bradley fonctionneront longtemps et sans problème.

### Viscosité

La consistance du savon est caractérisée par la grandeur appelée viscosité. La viscosité du savon doit être comprise entre 100 cP (centipoise) et 2500 cP pour tous les distributeurs de savon Bradley. Les savons épais s'écoulent plus lentement et entravent l'effet de « purgeage » des vannes, ce qui permet au savon de s'y figer et de provoquer des engorgements.

### Niveau de pH

Le niveau de pH (acidité) du savon doit être compris entre 6,5 et 8,5. Les savons plus acides (pH inférieur à 6,5) ont un effet corrosif sur les pièces métalliques (même l'acier inoxydable!) et dégradent les pièces en caoutchouc et en plastique. Ils irritent aussi la peau. Les savons les plus chers (de type lotion rose, généralement) comptent parmi les savons acides et finissent par provoquer la défaillance des vannes et la corrosion des métaux.

**AVERTISSEMENT :** Les savons basiques (pH supérieur à 8,5) provoquent l'irritation et la tuméfaction de la peau et la dégradation des pièces en caoutchouc et en plastique.

### Vannes à savon

Les vannes doivent également être entretenues (nettoyées) pour fonctionner correctement. Au minimum, de l'eau chaude doit être pompée à travers les vannes à intervalles réguliers pour purger les résidus de savon. Dans l'idéal, les vannes doivent être trempées pendant 30 minutes dans de l'eau chaude ou dans une solution nettoyante pour vanne à savon. Pomper la vanne au moins 20 fois pendant le trempage afin de dégager toute obstruction. Le réservoir de savon doit aussi être purgé à l'eau chaude. En cas d'engorgement extrême, la vanne doit être démontée et les pièces trempées dans de l'eau chaude ou une solution nettoyante pour rétablir un fonctionnement correct. En général, tout savon de qualité conforme aux indications de viscosité et de pH ci-dessus fonctionnera bien avec les distributeurs de savon Bradley. Les savons antibactériens PCMX ou à l'isopropanol (dans les limites de viscosité et de pH préconisées) sont également compatibles avec les distributeurs Bradley. Les savons conformes à ces indications de base offriront un écoulement régulier et moins d'engorgements.

## Nettoyage et entretien du filtre de sèche-mains

Le filtre de sèche-mains a pour objet d'étendre la durée de service du moteur et d'assurer un fonctionnement sans panne. En fonction de la qualité de l'air et de l'utilisation, contrôler le filtre à intervalles réguliers. Le filtre est lavable ou peut être changé.

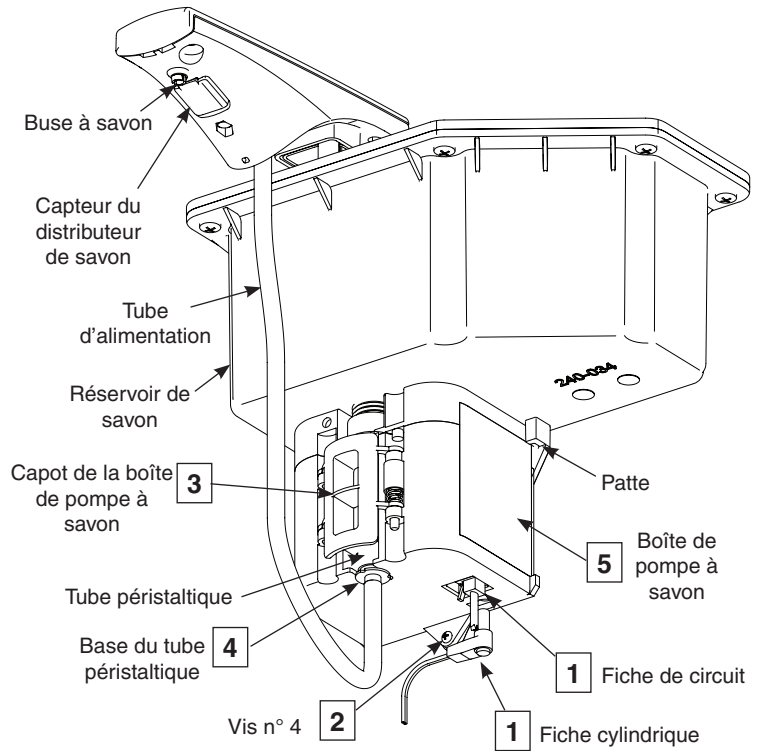
## Dépannage du système de savon

### Dépose de la boîte de pompe à savon

1. Débrancher la fiche cylindrique et la fiche de circuit de la boîte de pompe à savon.
2. Déposer la vis n° 4 de la bride inférieure de la boîte de pompe à savon.
3. Soulever le capot de la boîte de pompe et la tourner vers l'extérieur pour l'ouvrir.
4. Décrocher la base du tube péristaltique de la boîte de pompe à savon.
5. Faire coulisser la boîte de pompe à savon vers le bas et la déposer du réservoir de savon.



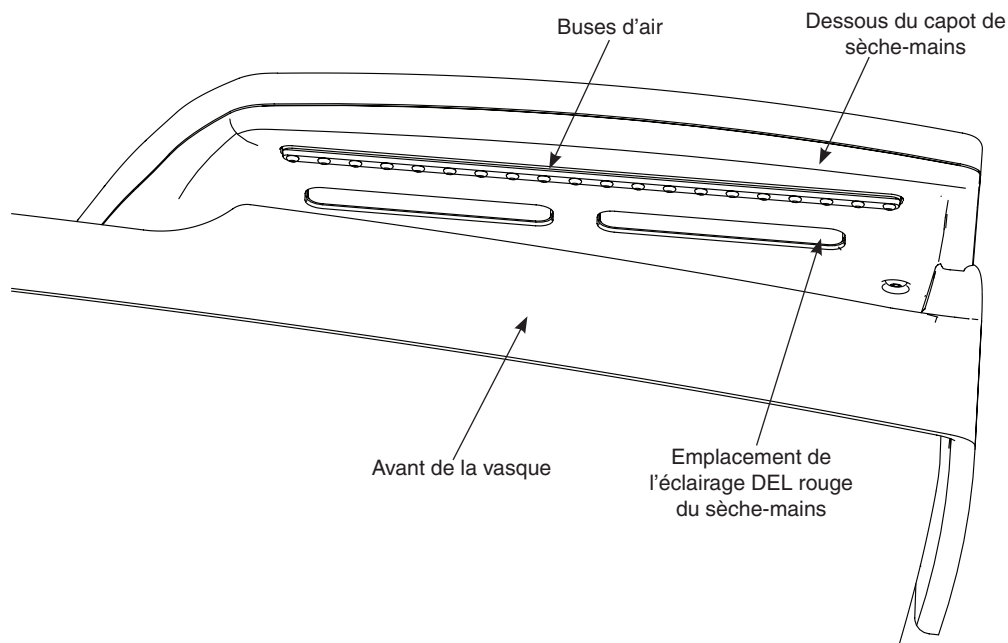
*Inverser ces étapes pour le remontage.*



Problème	Cause	Solution
Pas d'écoulement de savon par la buse du distributeur.	Le capteur est sale.	Nettoyer avec un chiffon doux humide.
	La pompe à savon a besoin d'être amorcée.	Voir les instructions de l'amorçage de la pompe à savon à l'étape 9.
	Le réservoir de savon est vide.	Ouvrir le couvercle et remplir le réservoir de savon. Voir les instructions de remplissage du réservoir de savon à l'étape 9.
	Le tube d'alimentation de savon est engorgé.	Déposer le couvre-siphon. Débrancher le tube d'alimentation du tube péristaltique. Ouvrir le couvercle de savon. Débrancher le tube d'alimentation du raccord coudé de tube à savon. Éliminer les corps étrangers du tube d'alimentation. Rattacher le tube d'alimentation de savon et activer le distributeur 8 à 12 fois pour amorcer le circuit (pour amorcer manuellement, ouvrir le capot de la boîte de pompe à savon et appuyer sur le tube péristaltique).
	Le transformateur est débranché.	Brancher le transformateur dans une prise de courant.
Le savon s'écoule de biais depuis la buse du distributeur.	La fiche cylindrique ou la fiche de circuit n'est pas raccordée à la pompe à savon.	Brancher la fiche cylindrique ou la fiche de circuit sur la boîte de pompe à savon.
	Le distributeur de savon fournit une petite quantité de savon.	Accumulation de savon dans la buse du distributeur.
Le distributeur de savon fournit une petite quantité de savon.	Les niveaux de viscosité de savon sont supérieurs aux recommandations.	Voir les informations sur la viscosité du savon en page 50.  Diluer le savon dans le réservoir avec de l'eau ou retirer le savon du réservoir et le remplir avec du savon ayant une plage de viscosité adéquate.



## Dépannage du système sèche-mains

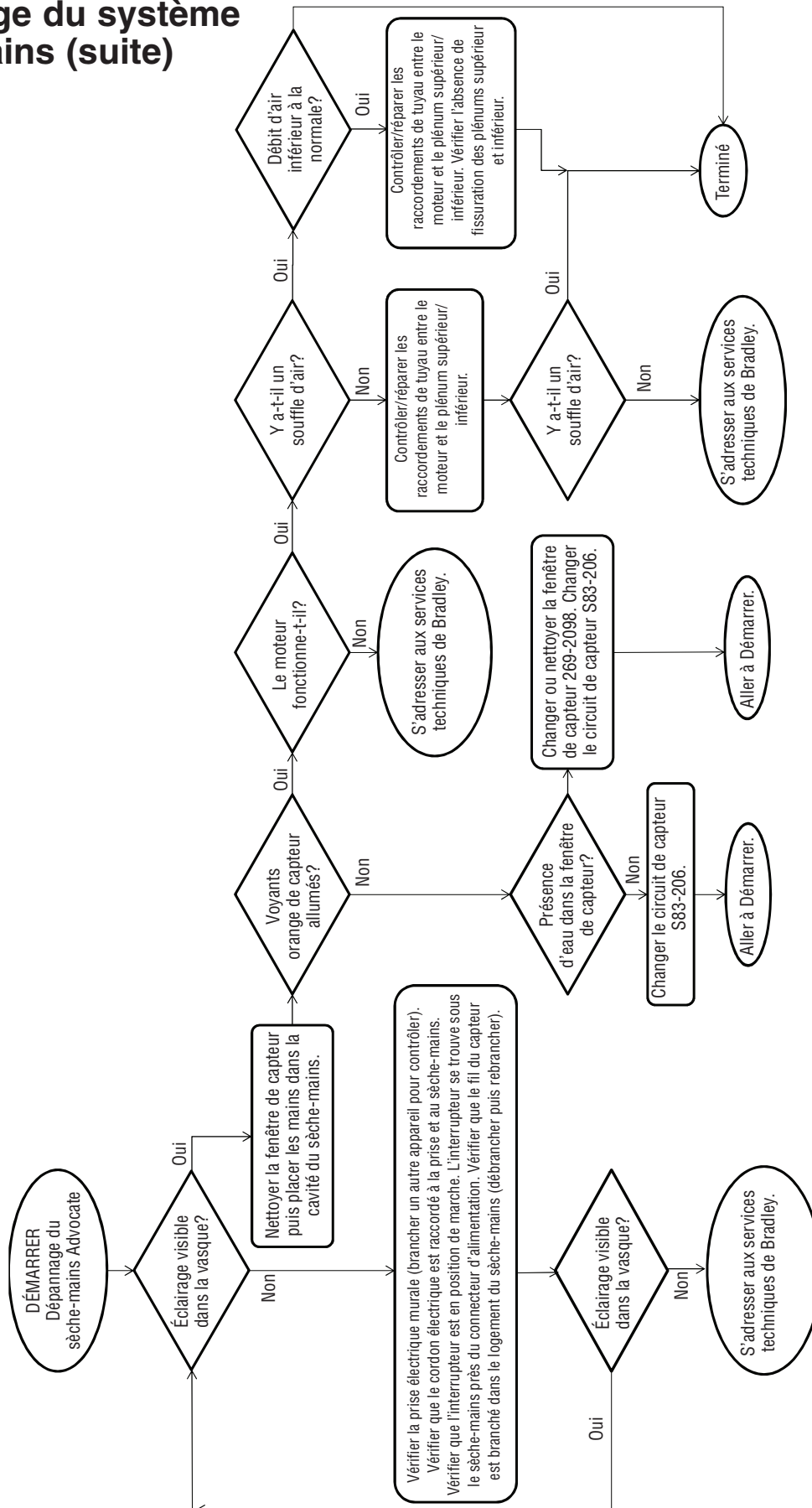


### Séquences de clignotement d'erreur de l'éclairage DEL rouge du sèche-mains

Erreur	Cause	Solution
1 clignotement toutes les 2 secondes.	Rotor bloqué	S'adresser aux services techniques de Bradley.
2 clignotements toutes les 2 secondes.	Surtension	Débrancher l'alimentation électrique. Contrôler la tension de la prise. Si la tension est correcte, faire un essai du sèche-mains. Si le problème persiste, s'adresser aux services techniques de Bradley.
3 clignotements toutes les 2 secondes.	Surchauffe du contrôleur	Nettoyer ou changer le filtre à air (réf. 269-2128). Si le problème persiste, s'adresser aux services techniques de Bradley.
4 clignotements toutes les 2 secondes.	Surchauffe du moteur	Nettoyer ou changer le filtre à air (réf. 269-2128). Si le problème persiste, s'adresser aux services techniques de Bradley.
5 clignotements toutes les 2 secondes.	Sous-tension	Débrancher l'alimentation électrique. Contrôler la tension de la prise. Si la tension est correcte, faire un essai du sèche-mains. Si le problème persiste, s'adresser aux services techniques de Bradley.
6 clignotements toutes les 2 secondes.	Erreur de communication (carte d'interface et de commande du moteur)	S'adresser aux services techniques de Bradley.
Le sèche-mains ne s'active pas	Le capteur est sale.	Nettoyer avec un chiffon doux humide.

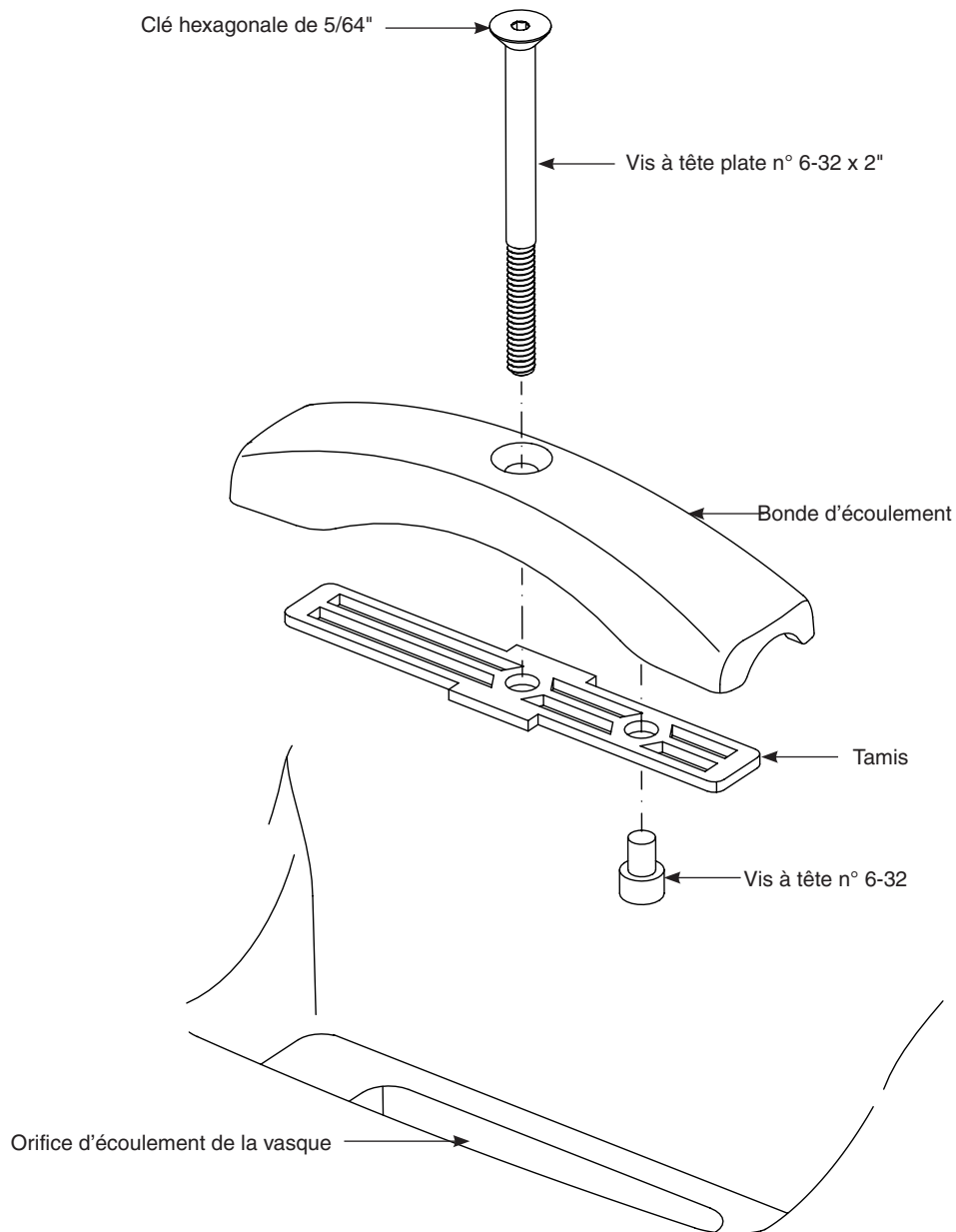


# Dépannage du système sèche-mains (suite)



## Nettoyage et entretien de la bonde et du tamis

Pour assurer un bon écoulement de l'eau du système lave-mains Advocate, la bonde nickelée et le tamis en acier inoxydable doivent être nettoyés à intervalles réguliers pour éliminer toute accumulation de corps étrangers et de résidus de savon.

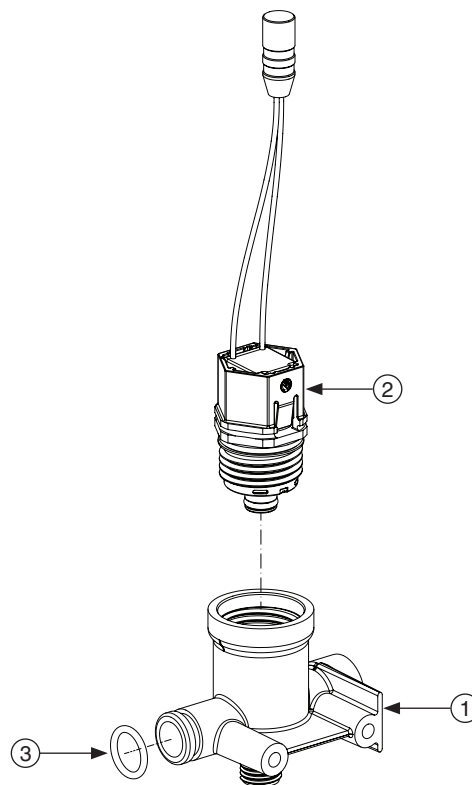


## Dépannage – Électrovanne : Réf. S07-067 (corps fermé) et S07-067A (traversante)



Couper les arrivées d'eau du lave-mains avant toute intervention de dépannage.

Repère	Qté	Réf. pièce	Description
1	1	118-334	Corps de vanne, ¼" fermé
1	1	118-334A	Corps de vanne, ¼" traversant
2	1	S27-352	Cartouche
3	1	125-165	Joint torique n° 2-013



Problème	Cause	Solution
Un lave-mains individuel ne se ferme pas correctement et goutte.	Défaillance de la cartouche interne.	Changer la cartouche S27-352.
Un lave-mains individuel ne s'active pas.	Cartouche de vanne défaillante ou mauvais contact électrique au niveau de la borne.	<p>Contrôler le lave-mains pour établir la cause.</p> <ol style="list-style-type: none"> <li>Débrancher les fils de la cartouche d'une vanne voisine. Débrancher les fils de la vanne posant problème et les brancher sur la vanne voisine.</li> <li>Rétablir l'alimentation électrique et les arrivées d'eau. Passer la main devant le capteur du lave-mains défectueux et le lave-mains voisin devrait s'activer.</li> </ol> <p>Si le lave-mains voisin s'active et fonctionne normalement, changer la cartouche de la vanne défectueuse.</p> <p>Si le lave-mains voisin ne s'active pas, contrôler les fils du câble de capteur et faire ce qui suit :</p> <ul style="list-style-type: none"> <li>s'assurer qu'il n'y a aucune coupure et que les bornes de raccordement isolées sont fermement serties en place;</li> <li>couper l'alimentation électrique et les arrivées d'eau;</li> <li>rebrancher sur la vanne voisine et rouvrir les arrivées d'eau;</li> <li>passer la main devant le capteur. Si le lave-mains ne s'active pas, changer le capteur.</li> </ul>

## Dépannage du robinet mitigeur thermostatique

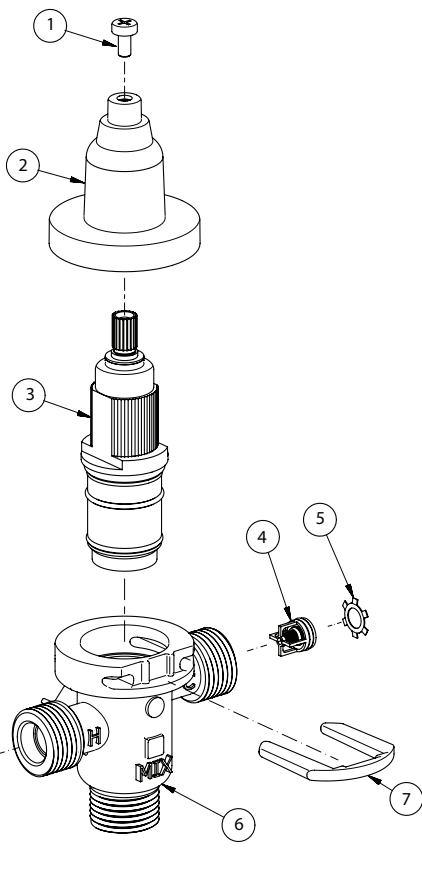
Avant d'essayer de dépanner le robinet mitigeur ou de le démonter, vérifier ce qui suit :

- Si des robinets d'arrêt sont utilisés, s'assurer qu'ils sont complètement ouverts.
- Vérifier que les tuyaux d'arrivée d'eau chaude et froide sont correctement raccordés, qu'ils ne sont pas croisés et que les robinets d'arrêt ne fuient pas.
- Vérifier que la sortie du chauffe-eau est à au moins 5 °C (10 °F) au-dessus de la température de réglage.



*Veiller à fermer les robinets d'arrêt appropriés avant de démonter le mitigeur et à rouvrir les robinets une fois que le contrôle et les réparations sont terminés.*

Problème	Cause	Solution
Fuites externes.	Cartouche ou joints toriques endommagés.	Remplacer la cartouche par la pièce réf. 269-1927
Température de l'eau inadaptée ou fluctuations de température.	L'arrivée d'eau chaude n'est pas à 5 °C (10 °F) au-dessus du réglage souhaité.	Augmenter la température de l'arrivée d'eau chaude
	Température du mitigeur mal réglée.	Régler la température comme indiqué à la page 45, étape 10.
Débit d'eau limité.	De la saleté et des débris se sont accumulés dans le mitigeur ou le filtre à tamis.	<ol style="list-style-type: none"> <li>1. Vérifier que les arrivées d'eau chaude et froide sont toutes deux raccordées au mitigeur et que de l'eau y circule.</li> <li>2. Retirer le couvercle et clip en U. Retirer la cartouche et nettoyer le filtre à tamis. Il n'est pas requis de graisser la cartouche toutefois, si cela est souhaité, utiliser exclusivement de la graisse de silicone. Ne pas utiliser de graisse sur les clapets anti-retour.</li> </ol>

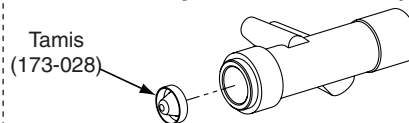


### Nomenclature des pièces

Repère	Réf. pièce	Description	Quantité
			S59-4000
1	160-463	Vis à tête	1
2	107-582	Couvercle	1
3	269-1927	Cartouche thermostatique	1
4	198-014	Clapet antiretour*	2
5	132-051	Bague de retenue*	2
6	118-319	Corps de robinet	1
7	146-079	Clip en U	1

\* Inclus dans la trousse S65-326

**Adaptateur de conduite tempérée en option réf. S39-804 (remplace S59-4000 si une conduite tempérée est utilisée)**



## ADVERTENCIA

Asegúrese de purgar todas las tuberías de suministro de agua y que estén completamente cerradas antes de comenzar la instalación. Los desechos acumulados en las tuberías de suministro pueden provocar defectos en el funcionamiento de las válvulas.

Corte la energía eléctrica de los tomacorrientes y luego desconecte todas las unidades eléctricas antes de realizar la instalación. La energía eléctrica DEBE permanecer cortada hasta que finalice la instalación. Después de finalizar la instalación, abra el suministro de agua primero y luego encienda la energía eléctrica.

Las piezas metálicas que proporciona el instalador deben ser las apropiadas para la construcción de la pared. Los anclajes que se utilicen para la pared deben tener una clasificación de extracción mínima de 1.000 lb (454 kg).

## IMPORTANTE

Lea en su totalidad este manual de instalación para garantizar una instalación adecuada. Al completar la instalación, entregue este manual al propietario o al Departamento de Mantenimiento. Es responsabilidad del instalador cumplir cabalmente los códigos y las ordenanzas locales. Las garantías del producto se pueden encontrar en la sección "Products" (Productos) de nuestro sitio web, [bradleycorp.com](http://bradleycorp.com).

Saque las piezas del embalaje y asegúrese de haberlas sacado todas antes de desecharlo. Si falta alguna pieza, no comience la instalación hasta obtenerla.

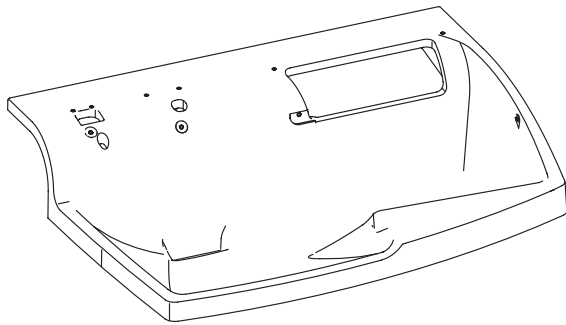


Para reducir el riesgo de incendio o descarga eléctrica, **NO** use este ventilador con cualquier dispositivo de control de velocidad de estado sólido.

## AVISO

Con supervisión o instrucción, los niños en edad preescolar y las personas con necesidades especiales pueden usar este dispositivo. Esto no es un juguete. Solo personal calificado debe realizar la limpieza y el mantenimiento.

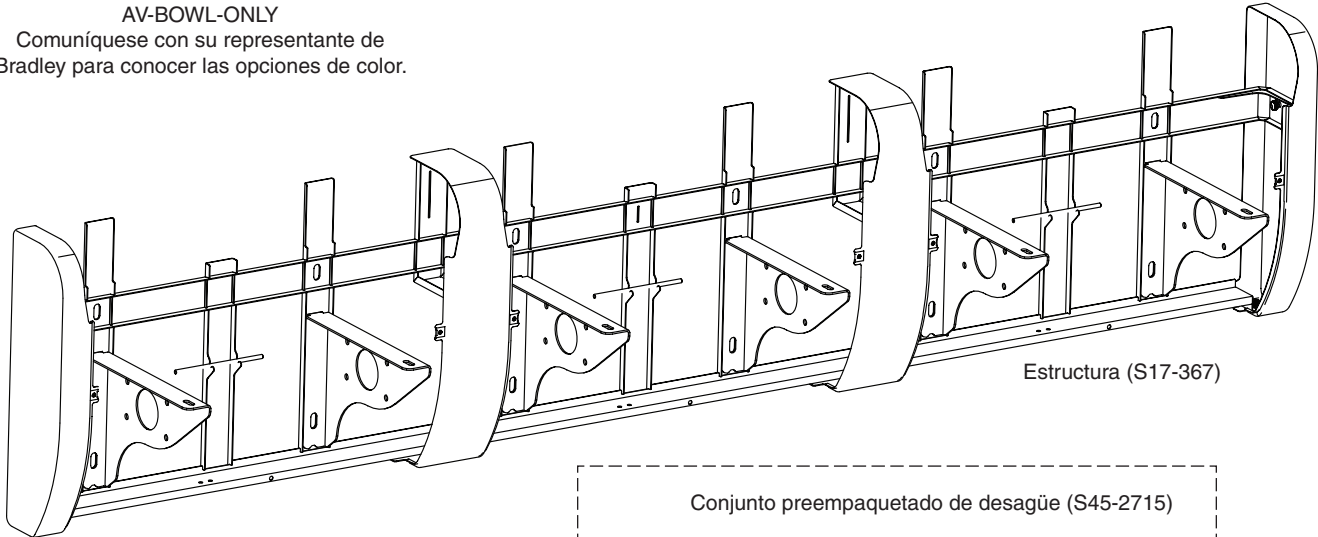
# Componentes



AV-BOWL-ONLY

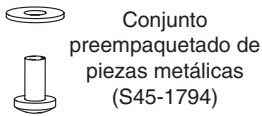
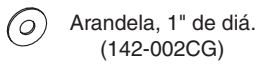
Comuníquese con su representante de Bradley para conocer las opciones de color.

Cubierta del sifón: carbón (186-1865B)  
 Conjunto preempaquetado de sujetador (S45-2727)

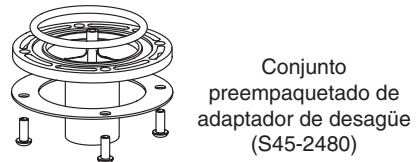
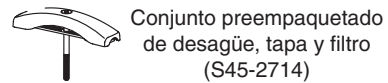


Estructura (S17-367)

Estructura o palangana del conjunto preempaquetado de piezas metálicas (S45-2732)

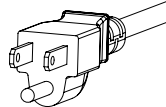


Conjunto preempaquetado de desagüe (S45-2715)



Adaptador de corriente para llave y jabón de 120 V CA/12 V CC (261-147A)

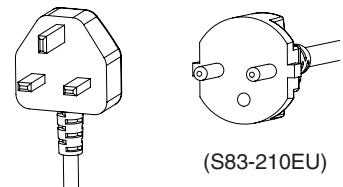
Cable de alimentación del secador de 120 V



(S83-210NA)

Adaptador de corriente para llave y jabón de 230 V CA/12 V CC (261-154)

Cable de alimentación del secador de 230 V



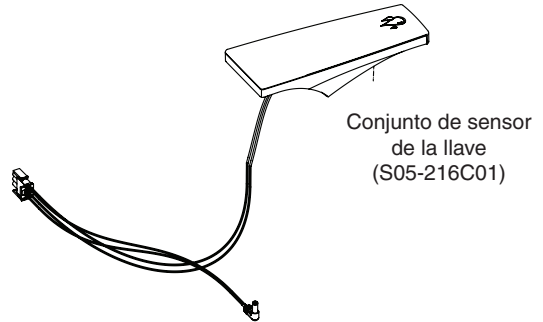
(S83-210UK)

(S83-210EU)

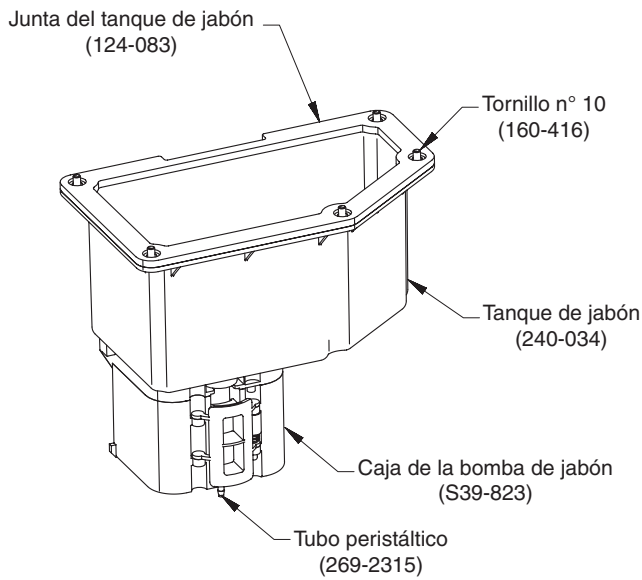
# Componentes



Conjunto del dispensador de jabón con kit de tubo peristáltico (S65-483)



Conjunto de sensor de la llave (S05-216C01)



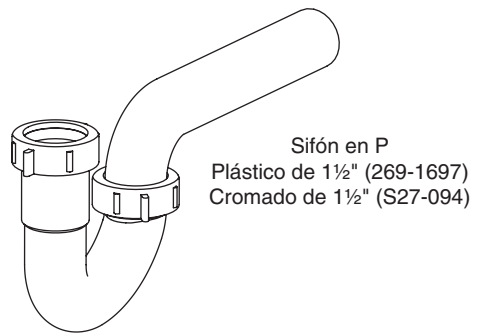
Junta del tanque de jabón (124-083)

Tornillo n° 10 (160-416)

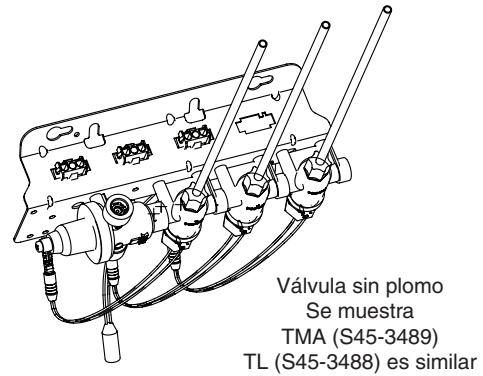
Tanque de jabón (240-034)

Caja de la bomba de jabón (S39-823)

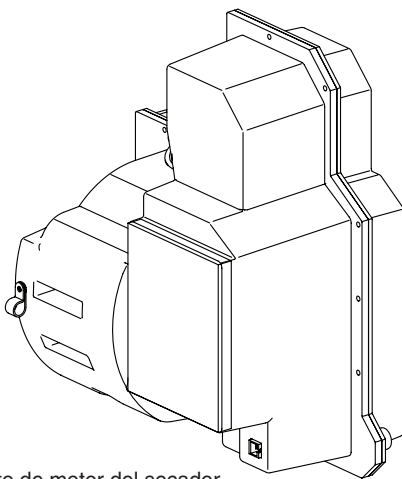
Tubo peristáltico (269-2315)



Sifón en P  
Plástico de 1½" (269-1697)  
Cromado de 1½" (S27-094)

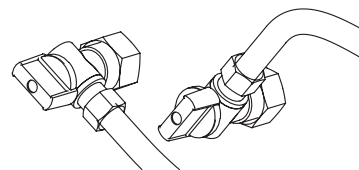


Válvula sin plomo  
Se muestra  
TMA (S45-3489)  
TL (S45-3488) es similar



Conjunto de motor del secador (ventilador eléctrico del secador de manos)  
120 V (S39-835)  
230 V (S39-836)

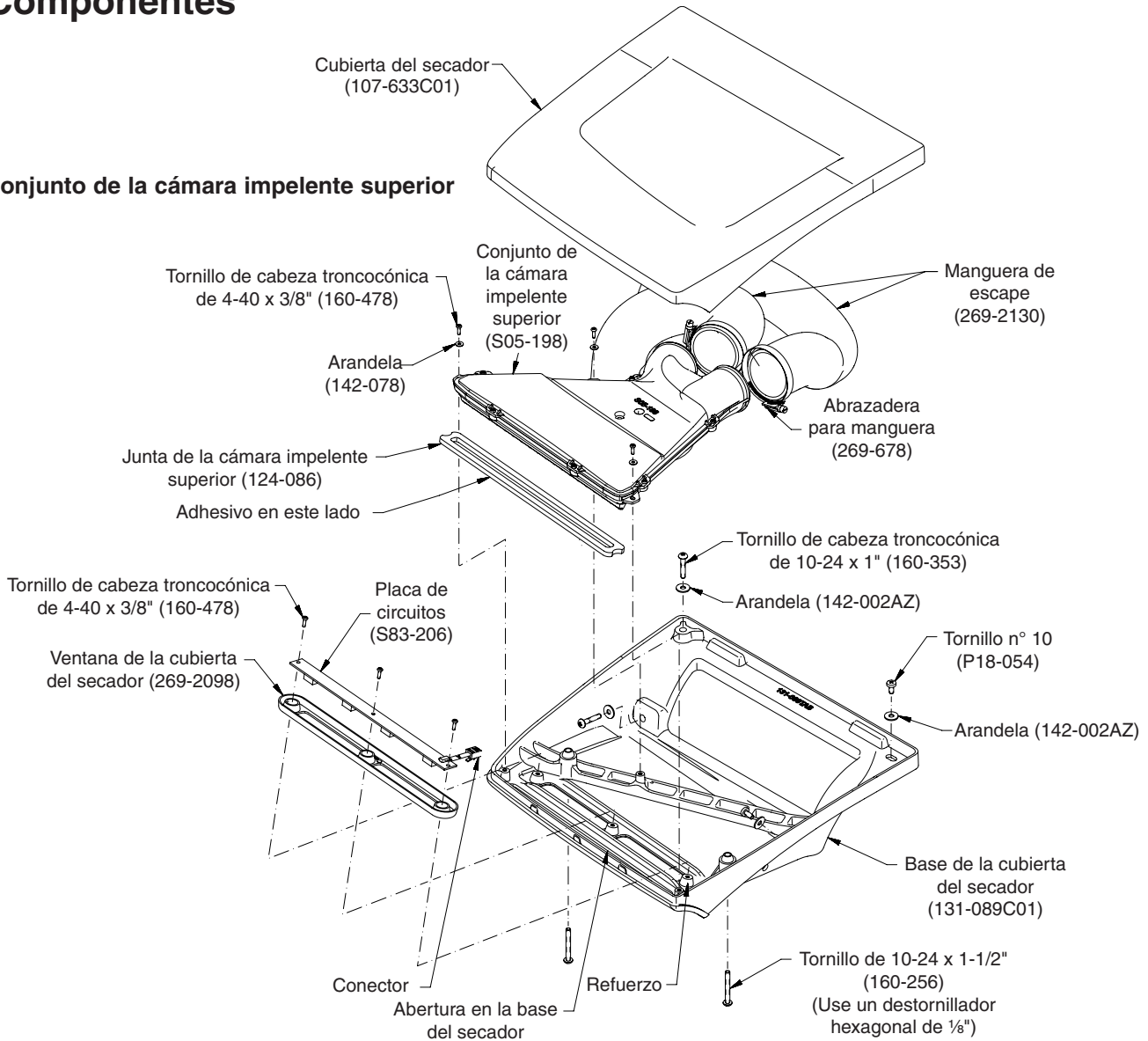
Filtro de repuesto: secador (269-2128)



Conjunto preempaquetado de válvulas de detención y mangueras (sin plomo)  
TMA (S45-2730)  
TL (S45-2731)

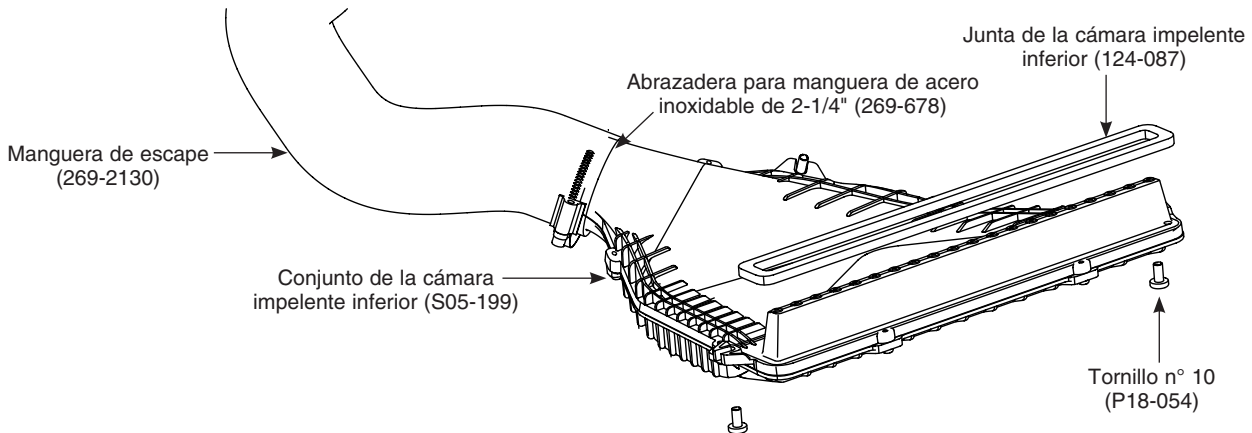
# Componentes

## Conjunto de la cámara impelente superior



## Conjunto de la cámara impelente inferior

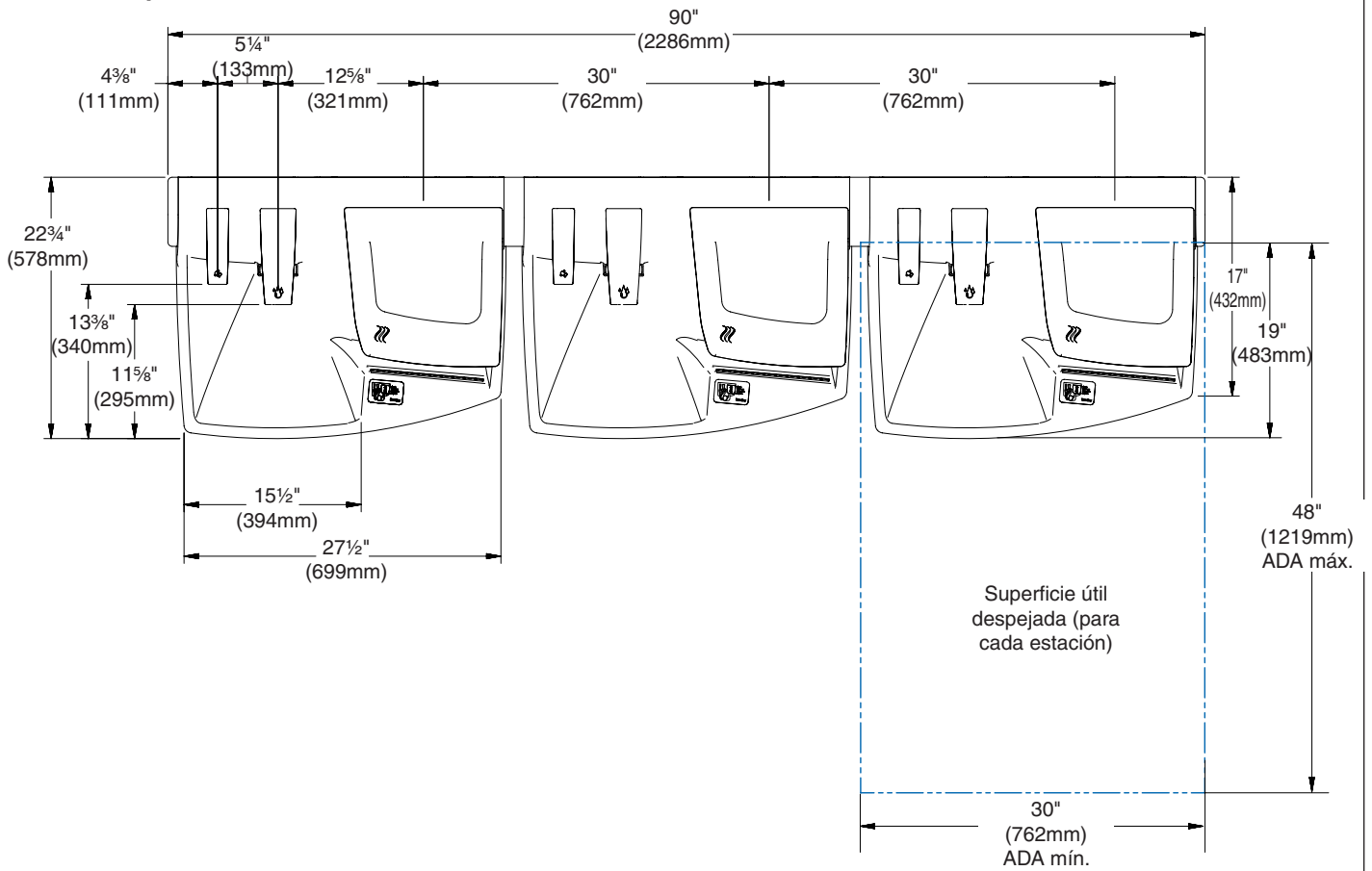
## Conjunto preempaquetado del conjunto de la cámara impelente inferior (S45-2795)



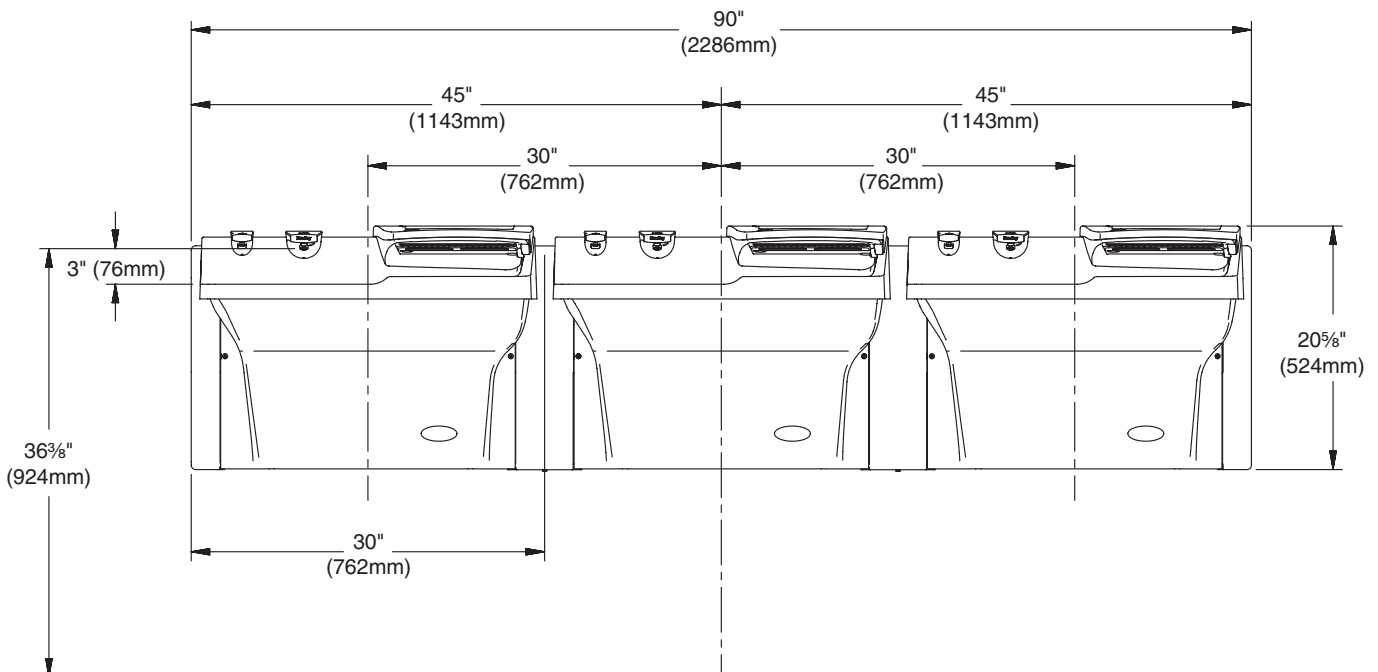


# Dimensiones: Vista superior y delantera

## Vista superior

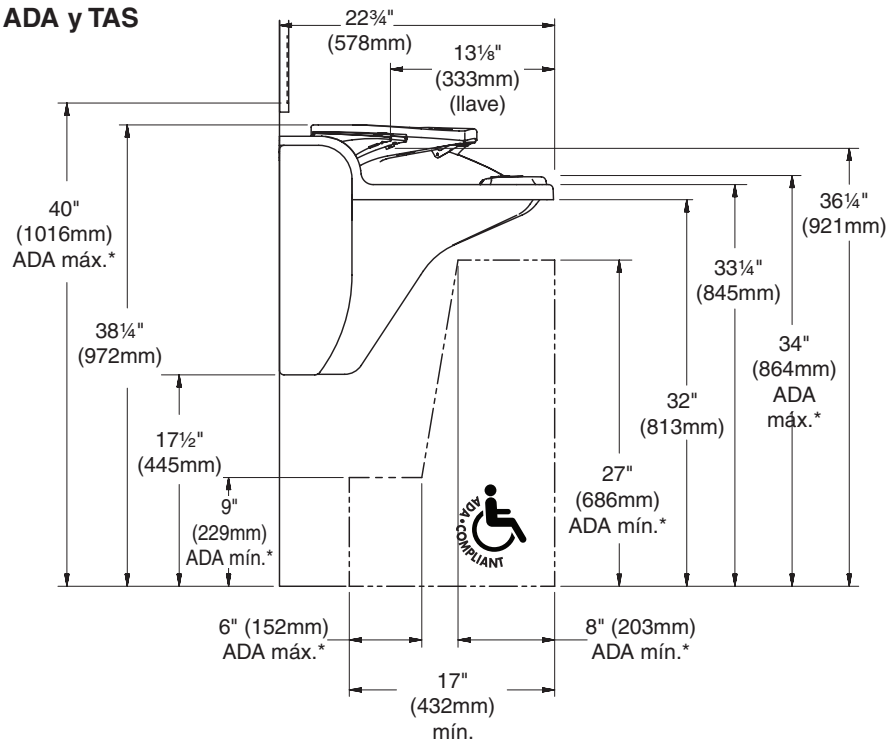


## Vista delantera

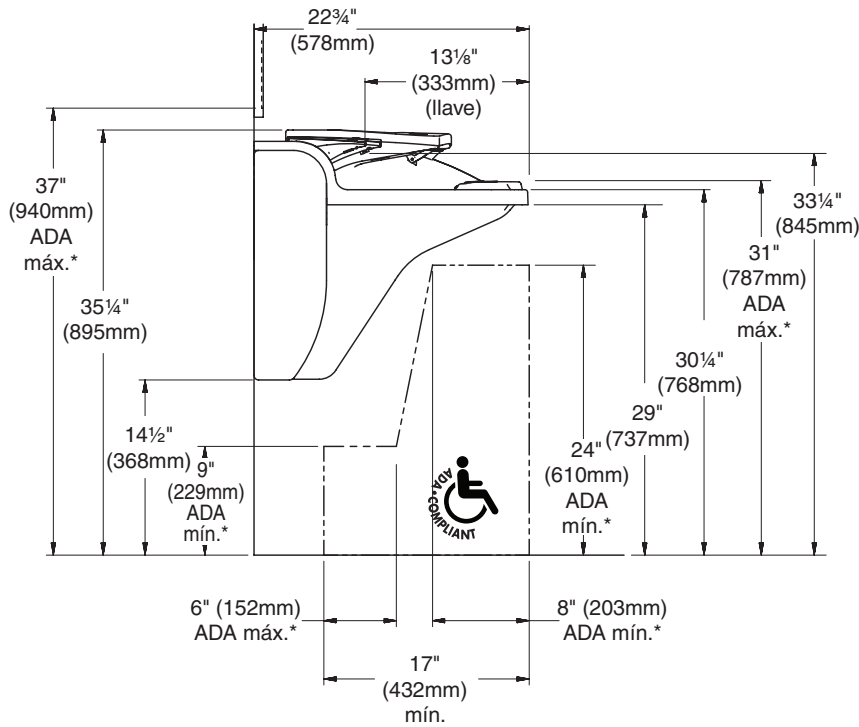


# Dimensiones: Vista lateral (ADA)

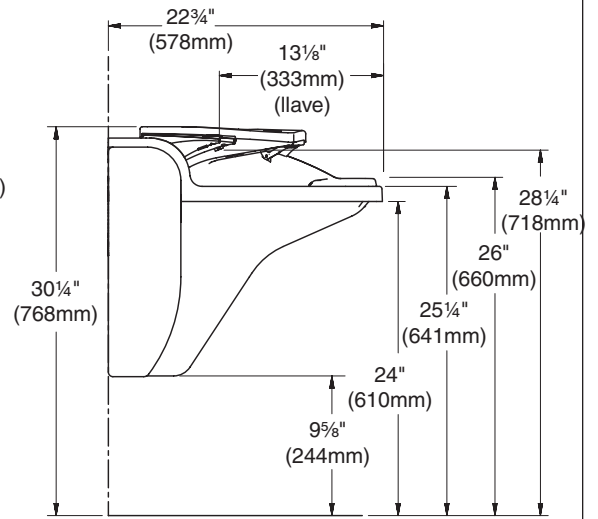
Altura estándar, ADA y TAS



ADA y TAS, desde 6º grado hasta 12º grado, altura juvenil



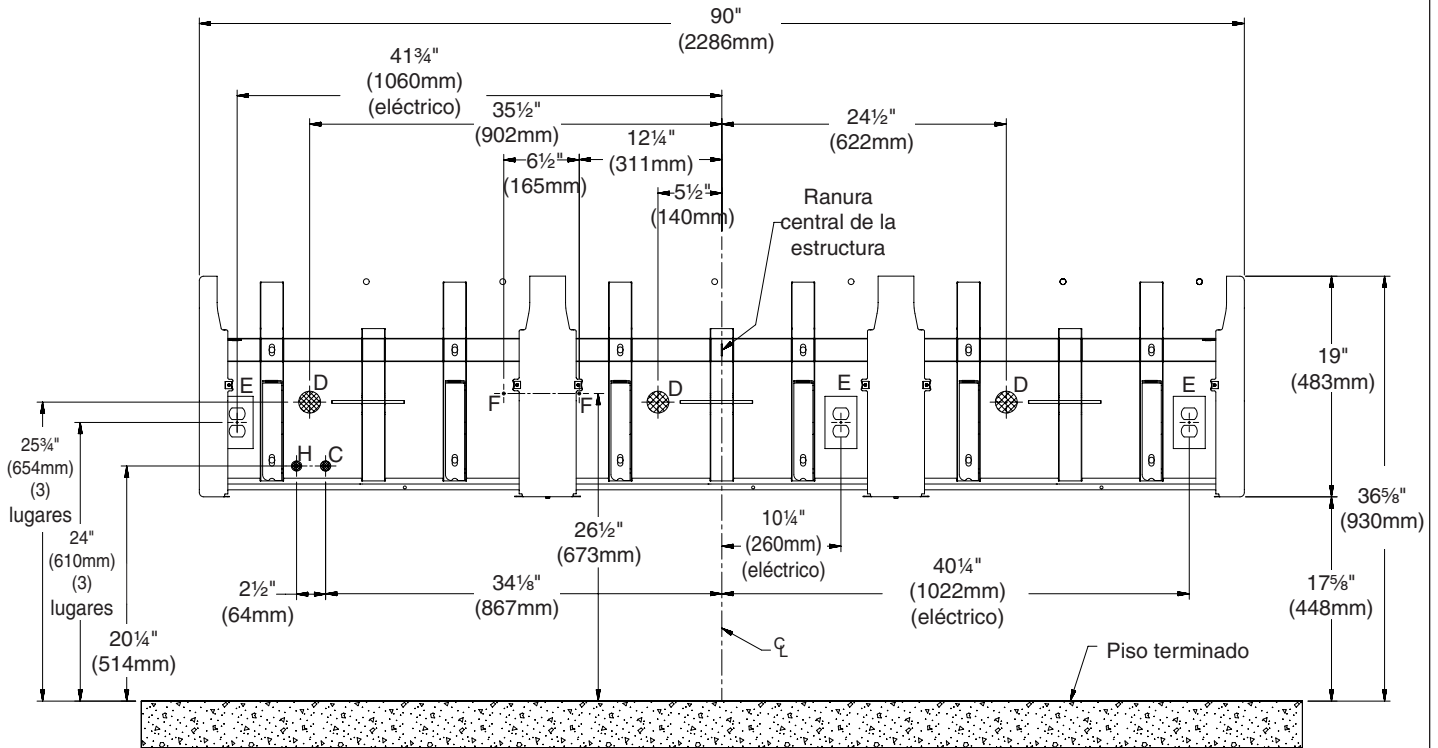
Altura para niños



# 1a Colocación de tuberías empotradas (para suministro de agua fría o caliente, de desagüe, eléctricas y de la válvula)




Si lo desea, puede conectar las válvulas de cierre angulares de la tubería de suministro de agua fría o caliente a las salientes en este momento.



CÓDIGO	DESCRIPCIÓN	CANTIDAD
H, C	Tubería de 1/2" nominal (5/8" diám. ext comp.) de suministros de agua fría o caliente, salen 2" (51mm) de la pared	1
D	Desagüe de 1 1/2" NPT, sale 2" (51mm) de la pared	3
E	Se requiere un tomacorriente protegido por interruptor con detección de falla a tierra (GFI, por sus siglas en inglés) de 20 amperios, 120 voltios o un circuito de mínimo 10 amperios para 230 V (en base a las selecciones de productos). El disyuntor debe tener una corriente nominal instantánea de sobrecarga mínima de 6 veces la capacidad de amperios del disyuntor.	3
F	Anclajes n° 10 para la instalación del soporte de la válvula	2
ALTURA DEL BORDE	AJUSTES DE ALTURA VERTICAL PARA LOS CÓDIGOS A, B, H, C, D y E	ESTILO DEL ACCESORIO
34" (864mm)	Sin ajuste	Altura estándar, ADA y TAS
31" (787mm)	Reste 3" (76mm)	ADA y TAS, desde 6º grado hasta 12º grado, altura juvenil
26" (660mm)	Reste 8" (203mm)	Para niños

# 1b Tuberías empotradas para soporte

**✓** Las áreas marcadas como  deben tener suficiente soporte para cumplir con los códigos locales de construcción. No se proporcionan las piezas metálicas de anclaje.

**✓** Para una mayor claridad, el conjunto del motor no se muestra.

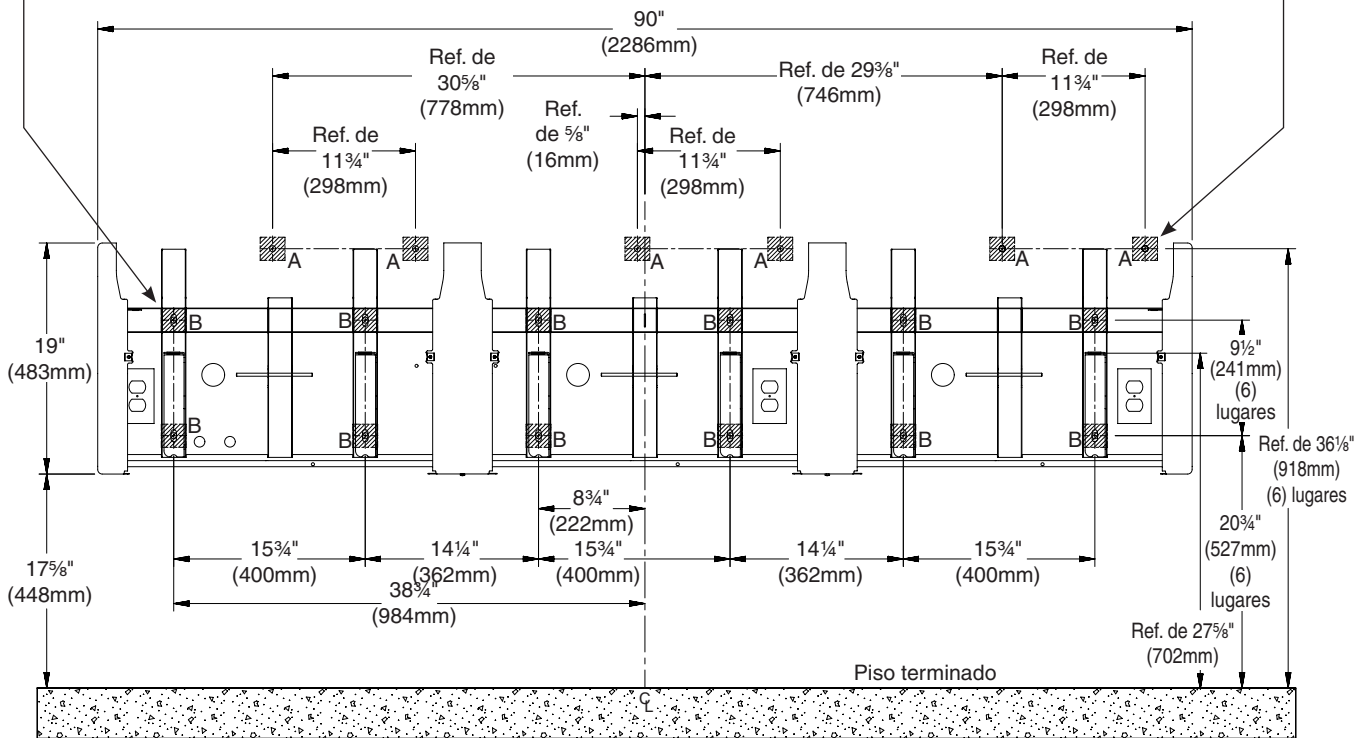
**✓** Consulte el paso 2 antes de hacer orificios para los anclajes del lavamanos

**✓** Retire la película de láser blanca de las tapas antes de instalar la estructura en la pared.

**A** Instale los anclajes según los códigos locales en las ubicaciones que se muestran a continuación.

**B** Fije el conjunto de la estructura a la pared en las (12) ubicaciones marcadas con "B" utilizando los sujetadores adecuados (se proporcionan las arandelas cuadradas de 1 1/4"). Cuando finalice el montaje, asegúrese de que el conjunto de la estructura esté nivelado.

**\*Consulte el paso 2 antes de hacer orificios para los anclajes del lavamanos**



CÓDIGO	DESCRIPCIÓN	CANTIDAD
A	Anclaje de palangana de 3/8" con una fuerza de extracción mínima de 1.000 lb (454 kg).	6
B	Anclaje de estructura de 3/8" con una fuerza de extracción mínima de 1.000 lb (454 kg).	12
ALTURA DEL BORDE	AJUSTES DE ALTURA VERTICAL PARA LOS CÓDIGOS A, B, H, C, D y E	ESTILO DEL ACCESORIO
34" (864mm)	Sin ajuste	Altura estándar, ADA y TAS
31" (787mm)	Reste 3" (76mm)	ADA y TAS, desde 6º grado hasta 12º grado, altura juvenil
26" (660mm)	Reste 8" (203mm)	Para niños

## 2 Conjunto de estructura y palangana

- ✓ Cuando se instala correctamente, el lavamanos estará nivelado y alineado a la pared posterior.
- ✓ Para mayor claridad, no se muestra el dispensador de jabón montado previamente, el caño de la llave, la cubierta del secador ni las mangueras de aire.

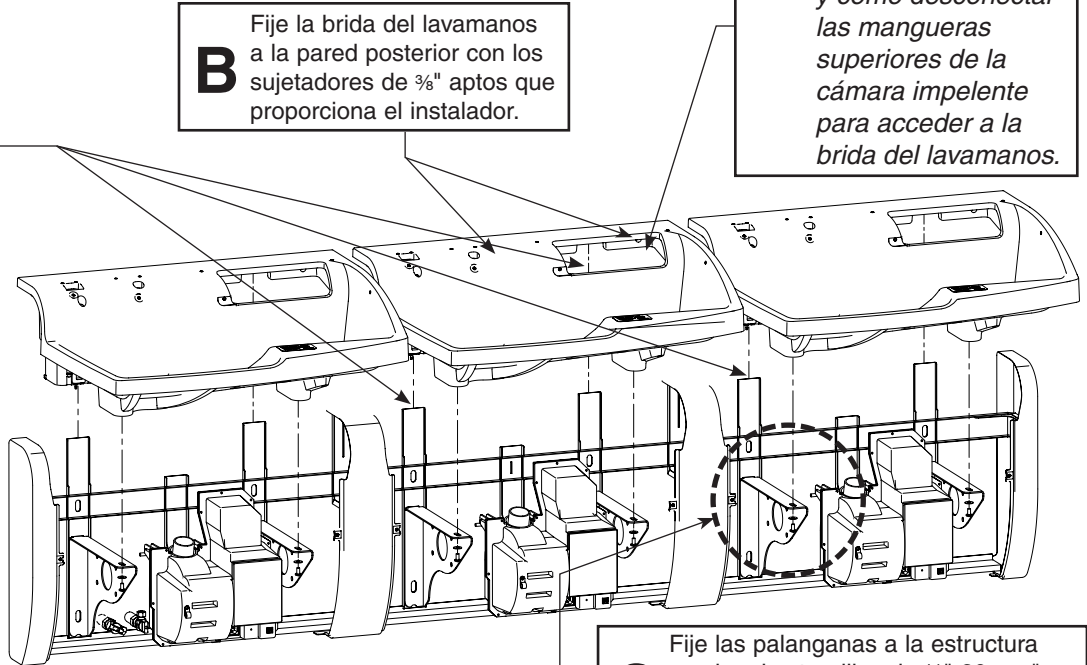
✓ Acceda a la brida del lavamanos a través del orificio de acceso de la cubierta del secador. Consulte el Paso 5 para obtener más información sobre cómo retirar la cubierta del secador y cómo desconectar las mangueras superiores de la cámara impelente para acceder a la brida del lavamanos.

**A** Coloque el lavamanos en la estructura. El soporte vertical derecho de la estructura calzará en la ranura del lavamanos según se muestra.

**B** Fije la brida del lavamanos a la pared posterior con los sujetadores de  $\frac{3}{8}$ " aptos que proporciona el instalador.

**C** Fije las palanganas a la estructura con los dos tornillos de  $\frac{1}{4}$ "-20 x  $\frac{3}{8}$ " (n/p 160-389) y las arandelas (n/p 142-002DB) que se proporcionan.

- ✓ Use la brida posterior del lavamanos como una plantilla para marcar las (2) ubicaciones de los orificios de montaje en la pared. Después de marcar la pared, instale los anclajes de pared adecuados. Consulte el paso 1b.



## 3 Desagüe y sifón en P

- ✓ Para mayor claridad, no se muestra el dispensador de jabón, el caño de la llave, la cubierta del secador ni la estructura.

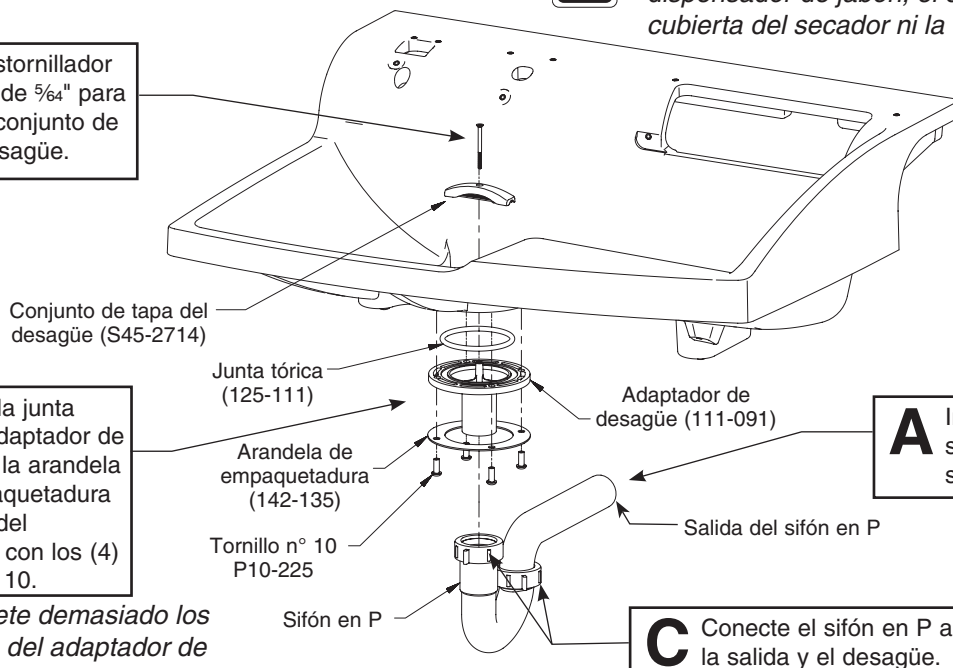
**D** Use un destornillador hexagonal de  $\frac{5}{64}$ " para instalar el conjunto de tapa de desagüe.

**B** Ensamble la junta tórica, el adaptador de desagüe y la arandela de la empaquetadura en el buje del lavamanos con los (4) tornillos n° 10.

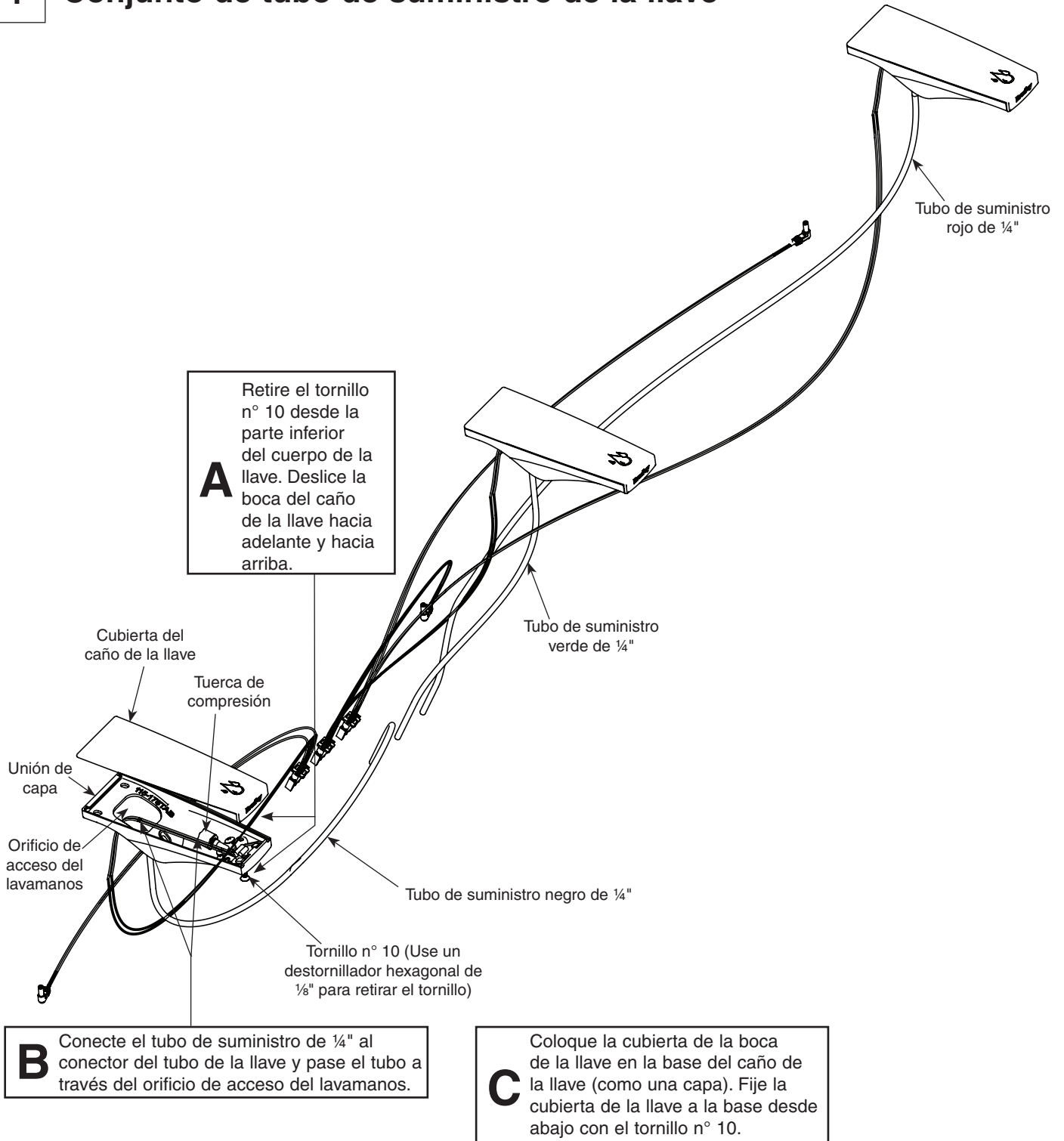
**A** Instale la salida del sifón en P para que salga de la pared.

- ✓ No apriete demasiado los tornillos del adaptador de desagüe.

**C** Conecte el sifón en P a la salida y el desagüe.



## 4 Conjunto de tubo de suministro de la llave

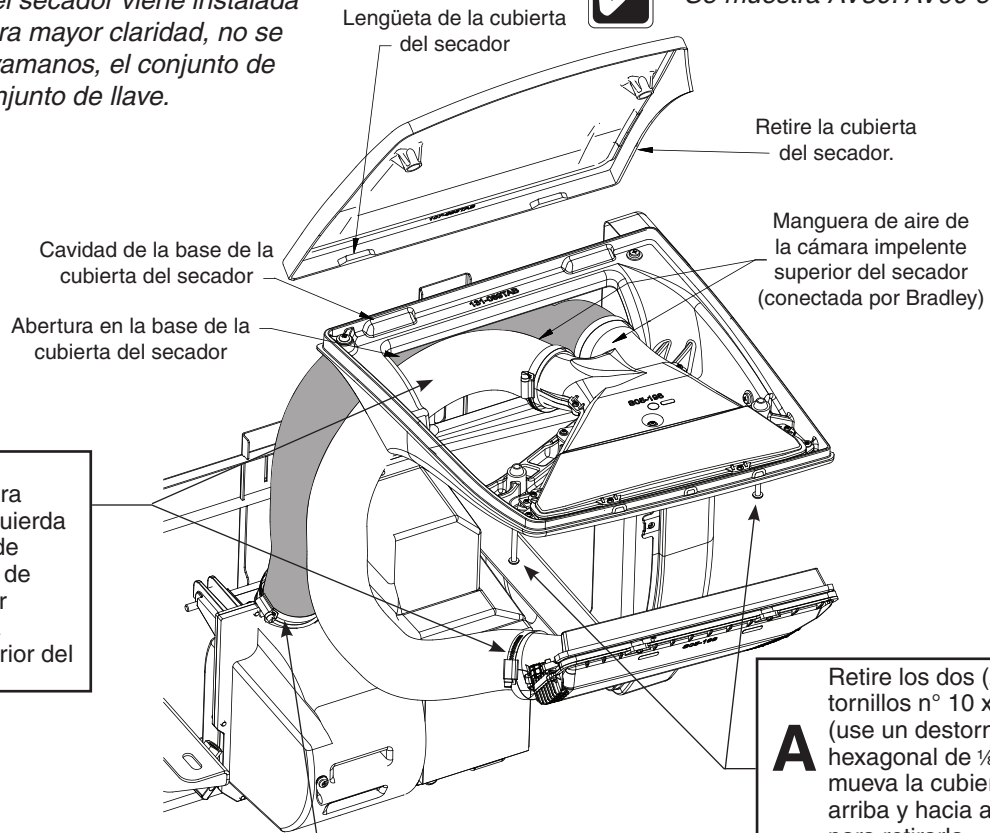


## 5 Conjunto de manguera de aire de la cámara impelente del secador

La cubierta del secador viene instalada de fábrica. Para mayor claridad, no se muestra el lavamanos, el conjunto de jabón ni el conjunto de llave.



Se muestra AV30. AV90 es similar.



**B**

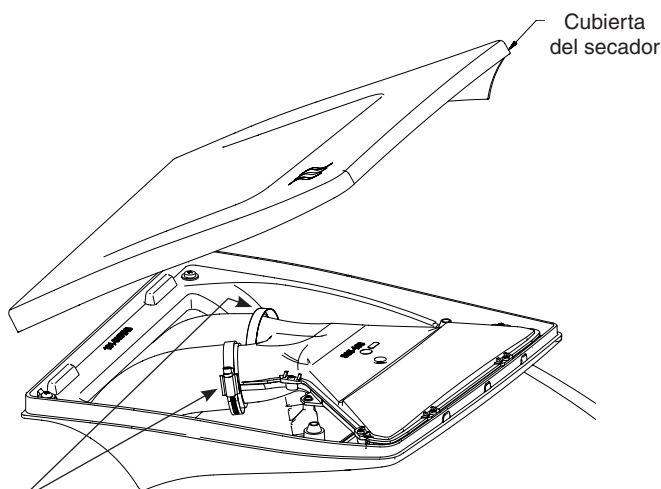
Conecte la manguera de aire desde la cámara impelente superior izquierda del secador, a través de la abertura de la base de la cubierta del secador y hacia abajo, hacia la cámara impelente inferior del secador.

**A**

Retire los dos (2) tornillos n° 10 x 1/2" (use un destornillador hexagonal de 1/8" a) y mueva la cubierta hacia arriba y hacia atrás para retirarla.

**C**

Conecte la manguera de aire desde la cámara impelente superior derecha del secador, a través de la abertura de la base de la cubierta del secador y hacia abajo, hacia la entrada del conjunto de motor del secador.



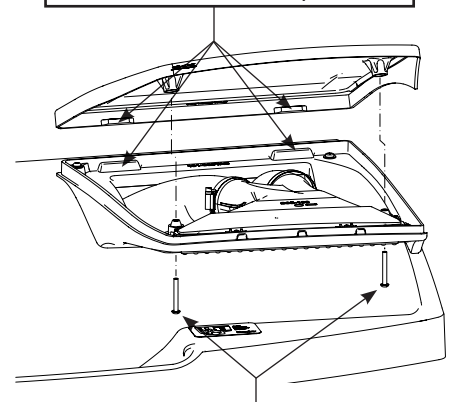
**A**

Oriente los tornillos sinfín hacia los lados para poder cerrar la cubierta del secador.

### Para reinstalar la cubierta del secador

**A**

Coloque las lengüetas de la cubierta del secador en las cavidades respectivas.



**B**

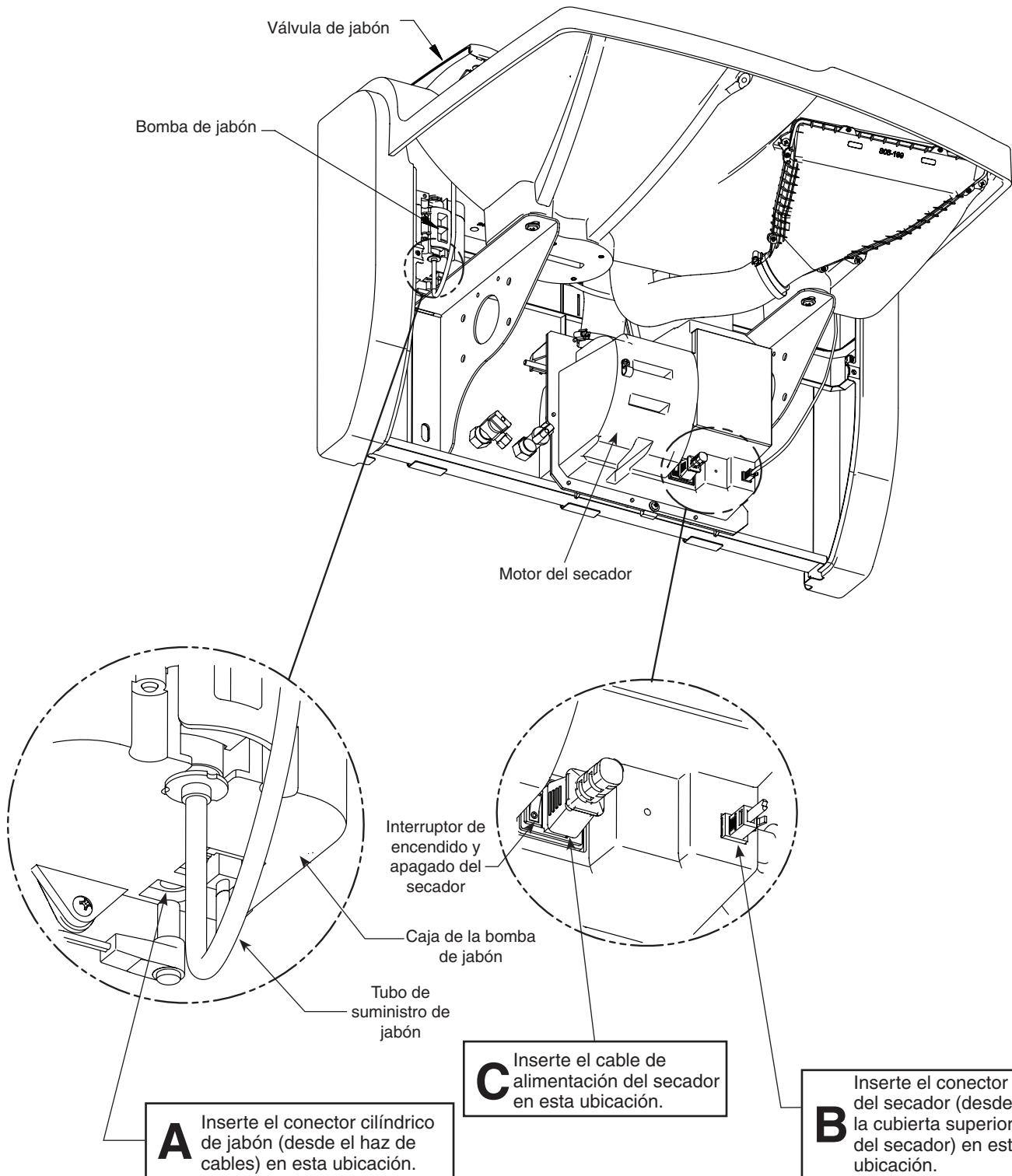
Gire la cubierta y fíjela a la base con dos tornillos N° 10 x 3/8". Use un destornillador hexagonal de 1/8".



## 6 Elementos instalables de jabón y secador



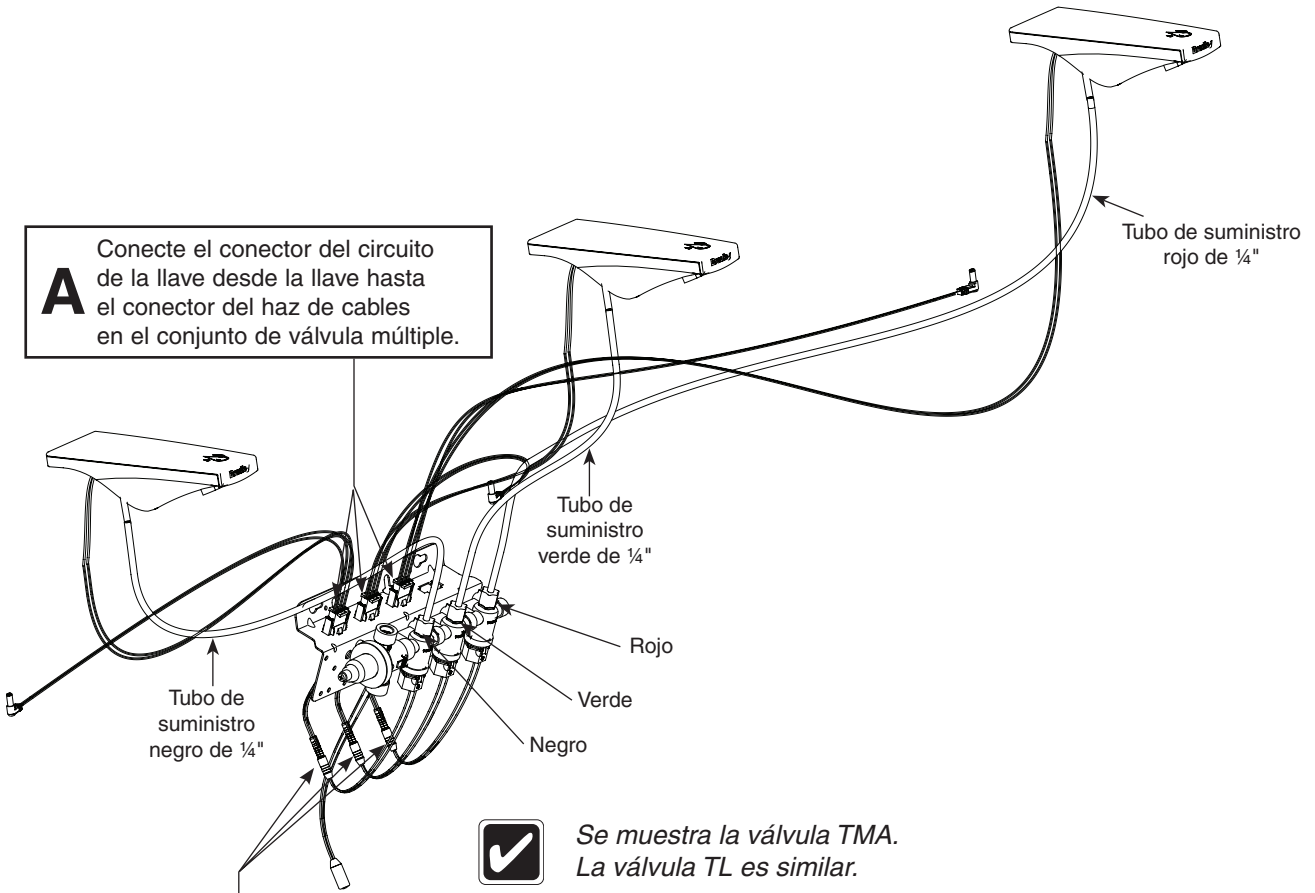
Se muestra AV30. AV90 es similar.





**7a Conexión del conector de circuitos de la válvula múltiple y la llave**

**A** Conecte el conector del circuito de la llave desde la llave hasta el conector del haz de cables en el conjunto de válvula múltiple.



**B** Conecte el conector del solenoide del haz de cables al conector del cartucho de la válvula.



*Se muestra la válvula TMA.  
La válvula TL es similar.*

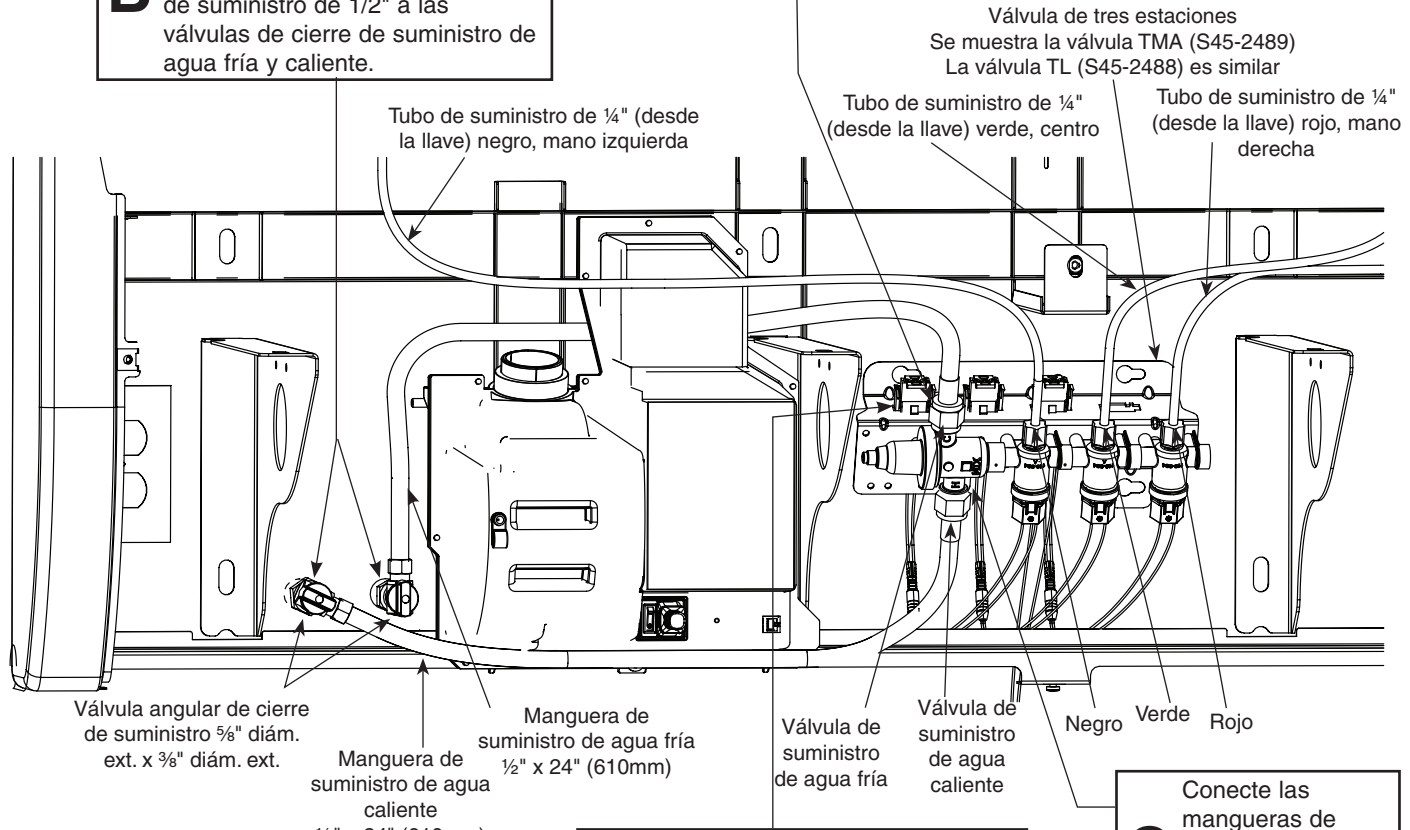
## 7b Conjunto de la válvula



Para una mayor claridad, no se muestra la manguera delantera del secador.

**B** Instale las válvulas de cierre angulares en las salientes de agua fría y caliente. Conecte mangueras de suministro de 1/2" a las válvulas de cierre de suministro de agua fría y caliente.

**A** Suelte la tuerca de compresión. Empuje la llave de suministro firmemente al conector del tubo hasta que esté asentado. Vuelva a apretar la tuerca de compresión con la mano.



**D** Conecte el conector del adaptador de corriente a la entrada del conector de alimentación del haz en el soporte de la válvula múltiple. Conecte la válvula múltiple a la pared. Consulte el paso 1a para conocer las ubicaciones de los anclajes del soporte de la válvula. El adaptador de corriente se conectará directamente al tomacorriente.

**C** Conecte las mangueras de suministro de agua fría y caliente a la válvula.

## 8 Elemento instalable de transformador, secador, jabón y llave



Se muestra la instalación de 120 V, 230V es similar.

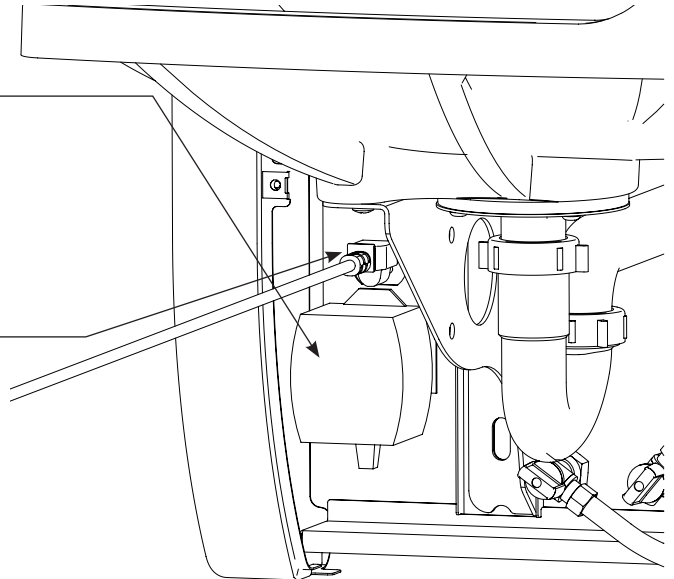
**A** Plug the soap/faucet power adapter into the wall outlet at this location.

**B** Coloque su mano debajo de la llave para activarla. Purgue el aire de la tubería de suministro. Consulte el paso 10 para ajustar la temperatura del agua.

**C** Enchufe el cable de alimentación del motor del secador en el tomacorriente en esta ubicación (se requiere un circuito de 20 A para la instalación de 120 V. Se requiere un circuito de 10 A como mínimo para la instalación de 230 V).

**D** Conecte el otro extremo del cable de alimentación del motor del secador en el conjunto de motor del secador (consulte la página 67).

**E** Mueva el interruptor de encendido y apagado del secador a la posición ON (Encendido).



## 9 Llenado del tanque de jabón y cebado del dispensador de jabón (Modelo AV-Series Soap-1)



Consulte la sección de jabones recomendados antes de llenar el dispensador de jabón.

**A**

Coloque la llave del jabón en la cerradura en la base del cuerpo del jabón. Empuje la llave hacia arriba y gírela suavemente de vuelta hasta que la cubierta del jabón se abra. Gire la cubierta del jabón hacia arriba.

**D**

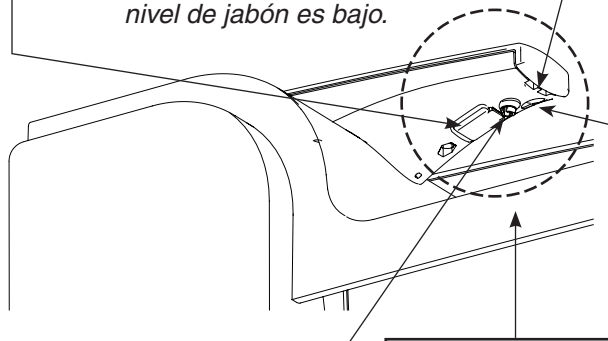
Después de cebar el sistema de jabón, vierta jabón en el orificio de llenado para llenar el tanque de jabón (capacidad de 64 oz [1,9 L]). Se escuchará un “chirrido” audible y aumentará de intensidad cuando el tanque esté aproximadamente 95 % lleno.

**E**

Gire la cubierta del dispensador de jabón y sujete la cubierta en el cuerpo del dispensador.



Luz indicadora de nivel de jabón: parpadea de color rojo cuando el nivel de jabón es bajo.



Tornillo de seguridad de cabeza plana n° 10-24 (opcional)  
Comuníquese con Bradley



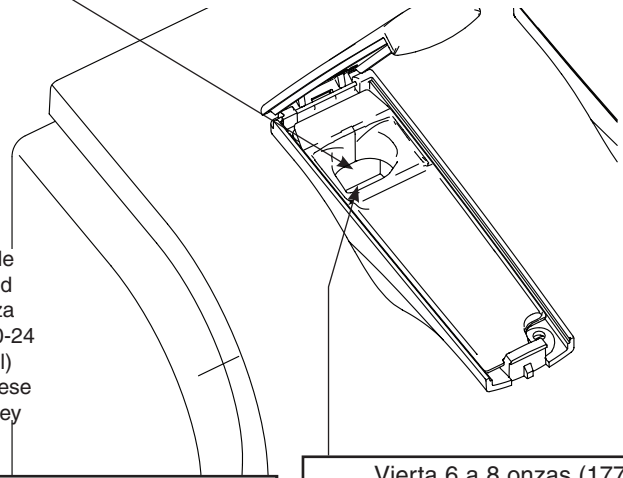
Para garantizar el funcionamiento óptimo del dispensador de jabón, limpie la boquilla del jabón con agua tibia. Esto ayudará a evitar la acumulación de jabón.

**C**

Para activar el dispensador, coloque la mano debajo de la boquilla de jabón durante 15 segundos. Mantenga la mano en ese lugar durante hasta 30 segundos una vez que el jabón comience a suministrarse. Después de 8 a 12 activaciones, se habrá cebado la bomba y puede retirar la mano de debajo de la boquilla. La luz LED parpadeará de color verde durante el modo de cebado automático.

**B**

Vierta 6 a 8 onzas (177 a 236 ml) de agua en el orificio de llenado de jabón para cebar la bomba.



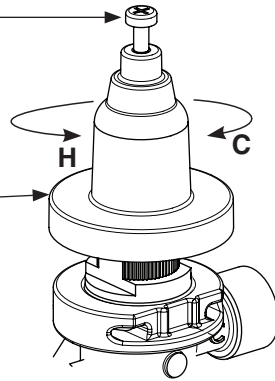
## 10 Ajuste de la temperatura del agua de la llave



Esta válvula NO viene configurada desde la fábrica. Luego de la instalación, se debe verificar y ajustar la temperatura de esta válvula para garantizar un suministro de agua a una temperatura segura. El agua, a una temperatura superior a 43 °C (110 °F), puede provocar quemaduras.

**A** Suelte el tornillo de cabeza unos 1/4" (4 a 6 giros) y levante la cubierta (sin quitarla).

**B** Utilizando la cubierta, gire con cuidado el cartucho hasta alcanzar la temperatura del agua que desee. No gire más allá de los topes, ya que se puede dañar la unidad. Presione la cubierta hacia abajo y apriete el tornillo.



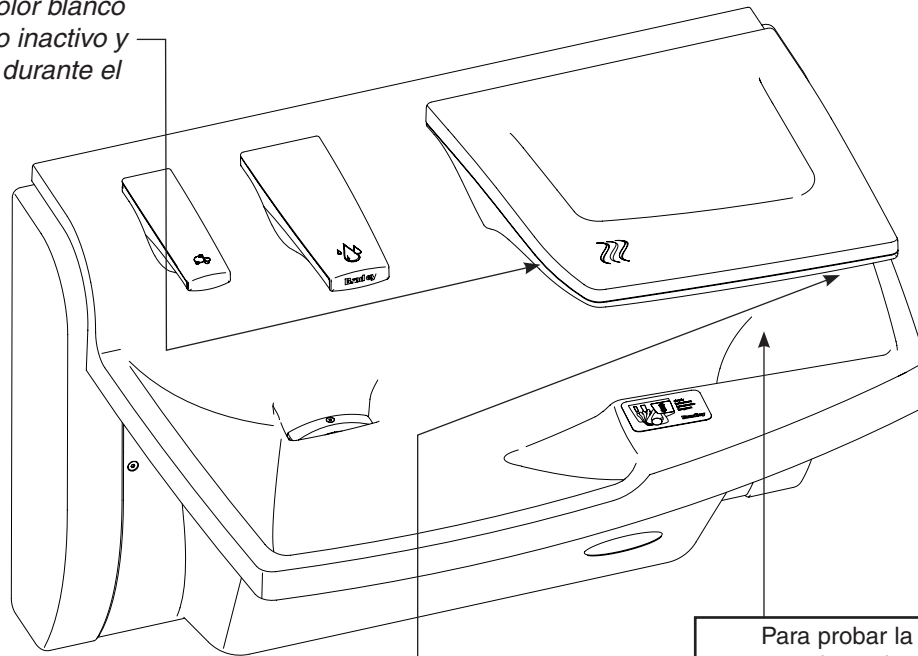
## 11 Activación del secador



Se muestra AV30. AV90 es similar.



La cavidad del secador se ilumina de color blanco durante el modo inactivo y de color ámbar durante el modo activo.



**A** Para probar la activación del secador, coloque las manos en la cavidad del secador y mueva las manos hacia adelante y hacia atrás.



Para ayudar con la limpieza, el secador se puede desactivar durante 30 segundos. Para desactivar el secador, mantenga su mano bajo la cubierta superior del secador, en esta ubicación, durante tres segundos. La luz parpadeará cuando el secador se desactive y parpadeará nuevamente (después de 30 segundos) cuando el secador se vuelva a activar.

## 12 Cubierta del sifón



Introduzca cualquier cable suelto en la estructura antes de instalar la cubierta del sifón en la estructura.



Se muestra AV30. AV90 es similar.

**B** Gire la cubierta del sifón hacia arriba e introduzca los bordes detrás de la cubierta del lavamanos.

**A** Coloque la parte inferior de la cubierta del sifón entre la brida de retorno de la tapa y la lengüeta inferior.

Brida de retorno de la tapa

Cubierta del sifón

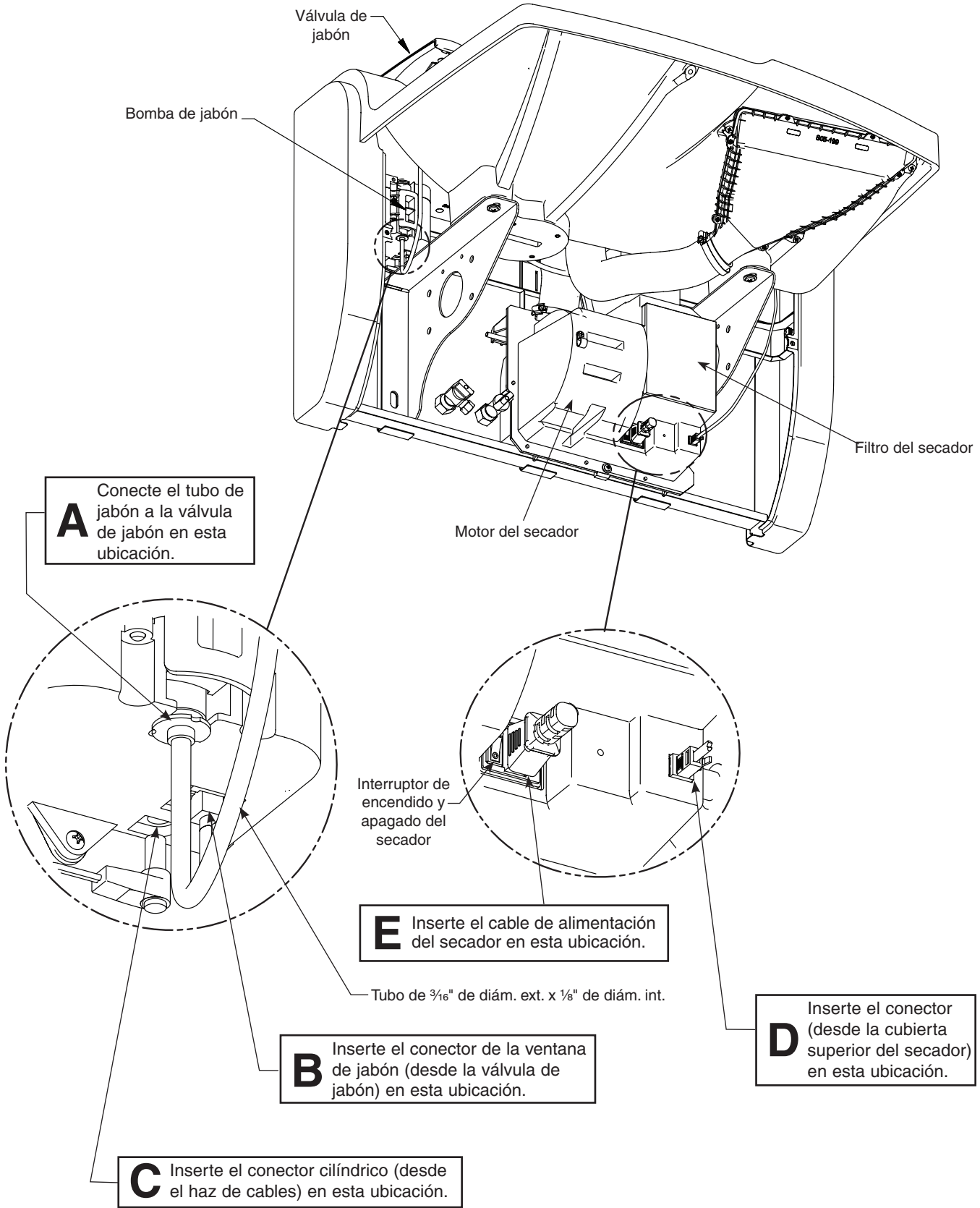
Lengüeta inferior de la tapa

**C** Fije la cubierta del sifón con dos tornillos de cabeza plana n° 10 x 1/2" que se proporcionan. Use un destornillador hexagonal de 1/8" para instalar la cubierta del sifón.

# Elementos instalables de jabón y secador (para mantenimiento)



Se muestra AV30. AV90 es similar.



**A** Conecte el tubo de jabón a la válvula de jabón en esta ubicación.

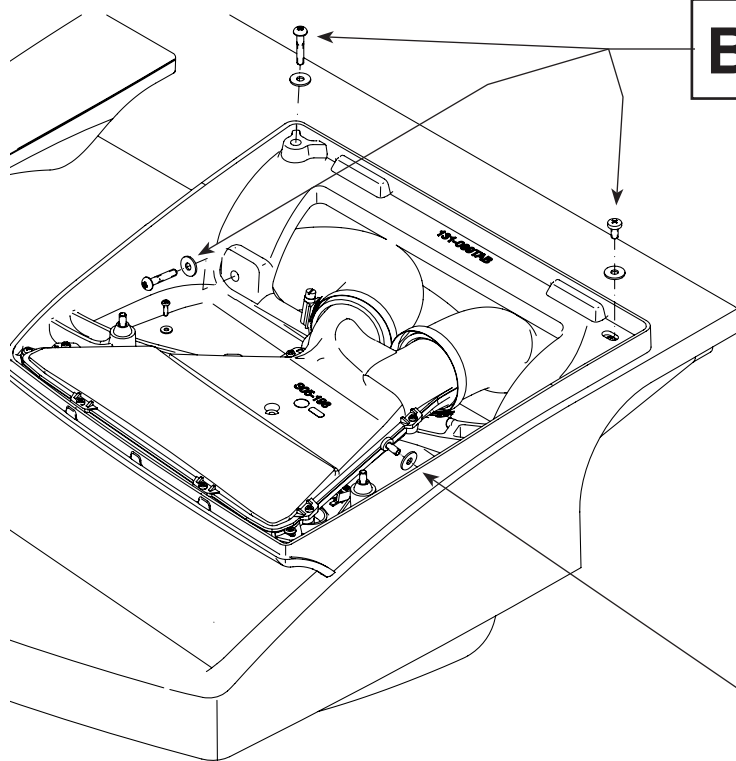
**B** Inserte el conector de la ventana de jabón (desde la válvula de jabón) en esta ubicación.

**C** Inserte el conector cilíndrico (desde el haz de cables) en esta ubicación.

**E** Inserte el cable de alimentación del secador en esta ubicación.

**D** Inserte el conector (desde la cubierta superior del secador) en esta ubicación.

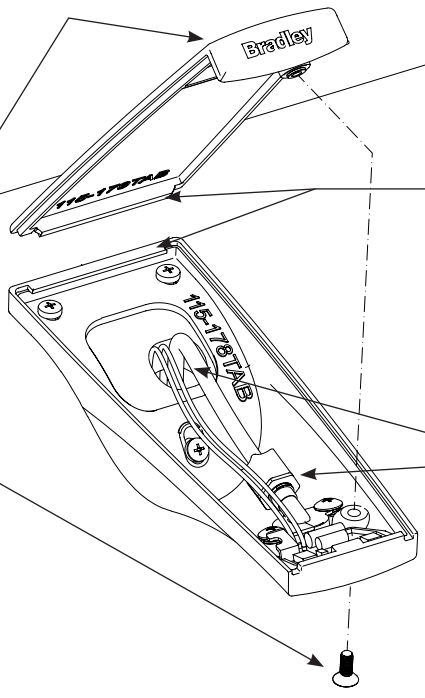
## Reinstalación de la base de la cubierta del secador (para mantenimiento)



**B** Fije la base de la cubierta del secador al lavamanos con los tornillos n° 10 y las arandelas.

**A** Fije flojamente el tornillo n° 10 x 3/4" y la arandela a la pared lateral.

## Conexiones de la llave (para mantenimiento)



**A** Retire el tornillo de cabeza plana n° 10 desde la parte inferior del cuerpo de la llave. Deslice la cubierta del caño de la llave hacia adelante y hacia arriba para retirarla.

**C** Coloque la cubierta del caño de la llave en el cuerpo de la boca de la llave (como una capa). Fije la cubierta a la base con el tornillo de cabeza plana n° 10.

**B** Conecte el tubo de suministro al conector de la llave. Pase el tubo a través del orificio de acceso del lavamanos.



## Limpieza y mantenimiento de Terreon® (lavamanos)

**Descripción del material:** Terreon es un material de superficie sólida densificado y compuesto de resina de base biológica, que es resistente a los productos químicos, las manchas, las quemaduras y al impacto. La superficie se puede reparar fácilmente con limpiadores comunes o abrasivos de grano fino. Ya que Terreon es un material fundido único, el flujo y la distribución de áridos, así como las tonalidades de color, pueden variar de producto en producto, lo que crea características naturales.

**Limpieza de rutina:** Para una limpieza regular, use limpiadores suaves de base neutra.

**Manchas rebeldes:** Elimine las manchas difíciles con Soft-Scrub® y una almohadilla verde Scotch-Brite® o lije suavemente con movimientos circulares con una lija seca o húmeda de grano 240. Entonces, se puede renovar el acabado con una almohadilla Scotch-Brite marrón.

**Rayones:** Elimine rayones con una almohadilla Scotch-Brite verde. Entonces, se puede renovar el acabado con una almohadilla Scotch-Brite marrón.

**Depósitos de agua dura:** Retire los depósitos de agua dura con una solución suave de vinagre y agua. Siempre enjuague la unidad completamente después de la limpieza.

**Restauración de la superficie:** Use Perfect Countertop de Hope® para refrescar y proteger el material de superficie sólida del Terreon. Es posible que los colores oscuros de Terreon necesiten cuidado y mantenimiento adicionales. Para obtener instrucciones completas de este mantenimiento adicional, visite [bradleycorp.com](http://bradleycorp.com).

**Kits de reparación:** Existen kits de reparación de Terreon. Comuníquese con su representante o distribuidor de Bradley para conocer los números de pieza y los precios. Los kits de reparación se hacen a pedido y su caducidad es de 30 días.

**AVISO: No use productos químicos o limpiadores ácidos o alcalinos fuertes para limpiar el Terreon. Si estos productos químicos entran en contacto con la superficie, límpielos inmediatamente y enjuague con agua y jabón. Evite el contacto con productos químicos fuertes, como solvente de pintura, cloro, acetona, etc. Evite el contacto con ollas y objetos calientes.**

## Limpieza y mantenimiento para el acero inoxidable

**Descripción del material:** El acero inoxidable es extremadamente duradero, y su mantenimiento es simple y económico. Sin embargo, un cuidado adecuado, en especial bajo condiciones de corrosión, es esencial. Siempre comience con la solución más simple, avanzando hacia las más complicadas.

**Limpieza de rutina:** Límpielo diariamente o con la frecuencia necesaria, con una solución de agua tibia y jabón, detergente o amoníaco. Aplique la solución de limpieza según las instrucciones del fabricante y siempre use un paño o una esponja suave para evitar dañar el acabado.

**Manchas rebeldes:** Para quitar las manchas del acero inoxidable, use un limpiador adecuado o un limpiametales como el limpiador para acero inoxidable Ball®, o bien, un abrasivo suave. Siempre siga las instrucciones de fábrica y aplíquelos en la misma dirección que las líneas de pulido.

**AVISO: Nunca use fibra metálica ni cepillos de acero comunes sobre el acero inoxidable. Siempre use fibra metálica de acero inoxidable o cepillos de acero de las mismas características.**

**Marcas de dedos y embarraduras:** Para quitar las marcas de dedos y las embarraduras, use un limpiador de alta calidad para acero inoxidable, de acuerdo con las instrucciones del fabricante. Muchos de estos productos dejan una capa protectora que ayuda a prevenir embarraduras y marcas de dedos futuras.

**Grasa y aceite:** Para quitar grasa y aceite, use un detergente comercial de calidad o un limpiador cáustico. Aplique de acuerdo con las instrucciones del fabricante y en la dirección de las líneas de pulido.

**Precauciones:** Evite que el equipo de acero inoxidable tenga contacto prolongado con cloruros (blanqueadores, sales), bromuros (agentes desinfectantes), tiocianatos (pesticidas, agentes químicos para fotografía y algunos alimentos) y yoduros, especialmente si existen condiciones ácidas.

**AVISO: No deje que las soluciones salinas se evaporen y sequen sobre el acero inoxidable.**

La aparición de líneas de óxido en el acero inoxidable hace pensar que este se está oxidando. Busque el origen real del óxido en algunas partículas de hierro o acero que se puedan estar tocando, pero que en realidad no sean parte de la estructura de acero inoxidable.

**AVISO: Los limpiadores extremadamente ácidos o cáusticos pueden atacar el acero, ocasionando la aparición de una película rojiza. Se debe evitar el uso de este tipo de limpiadores.**



## Limpieza y mantenimiento del polímero compuesto reforzado con fibra de vidrio (componentes del jabón, llave y secador)

**Descripción del material:** El polímero compuesto reforzado con fibra de vidrio es un material compuesto hecho de una matriz de polímero reforzado con fibra de vidrio. El material es resistente a los impactos, duradero y el mantenimiento es simple y económico.

**Limpieza de rutina:** Límpielo diariamente, o con la frecuencia necesaria, con una solución de agua tibia y jabón suave. Aplique la solución de limpieza según las instrucciones del fabricante y use siempre un paño o esponja suave para no dañar el acabado.

### Situaciones especiales para el material de polímero compuesto reforzado con fibra de vidrio

**Rayones:** Si los rayones son superficiales (es decir, no penetran a través de la capa transparente), lije con una lija húmeda de grano 3000 y, luego, pule. Este proceso es similar a la reparación del acabado de un automóvil.

**AVISO:** Nunca use limpiadores abrasivos sobre los componentes compuestos con fibra de vidrio.

## Productos de marca

El uso de los nombres de marcas solo tiene la intención de indicar un tipo de limpiador. Esto no constituye una promoción; tampoco la omisión de algún limpiador de marca implica que este sea inadecuado. Muchos productos nombrados son de distribución regional y se pueden encontrar en supermercados, tiendas de departamentos y ferreterías locales, o a través de su servicio de limpieza. Es de suma importancia que todos los productos se usen de acuerdo con las instrucciones del embalaje.

## Jabones líquidos recomendados y mantenimiento del dispensador



Para más información y las recomendaciones por favor visite [www.bradleycorp.com/advocatesoap](http://www.bradleycorp.com/advocatesoap)

### Descripción general

Los dispensadores de jabón de calidad necesitan jabón de buena calidad y un mantenimiento periódico para poder funcionar adecuadamente. Los dispensadores de jabón Bradley funcionan confiable y constantemente a largo plazo, cuando el jabón presenta una viscosidad y un nivel de pH razonables y cuando se lleva a cabo un mantenimiento periódico mínimo a las válvulas. La mayoría de los problemas con el dispensador de jabón son causados por jabones demasiado espesos o corrosivos, o bien, por falta de mantenimiento. La mayoría de los jabones vienen concentrados y deben diluirse con agua. A menudo, el jabón se diluye en forma inadecuada o se usa directo del envase, lo que ocasiona obstrucción y falla de la válvula. Normalmente, aunque se use el jabón adecuado, las válvulas que nunca se limpien serán el origen de problemas para dispensar el jabón. Con el mantenimiento y el jabón adecuados, los dispensadores Bradley proporcionan un funcionamiento a largo plazo y sin problemas.

### Viscosidad

El espesor del jabón se determina a través de una medida llamada viscosidad. La viscosidad del jabón para los dispensadores Bradley debe ser de 100 cps (centipoise) a 2500 cps. Los jabones más viscosos fluyen más lento e inhiben la acción de "limpieza" de la válvulas, lo que ocasiona que el jabón se solidifique en ellas y las obstruya.

### Nivel de pH

El nivel (ácido) de pH del jabón debe ir de 6.5 a 8.5. Los jabones más ácidos (con niveles de pH inferiores a 6.5) corroen las piezas de metal (¡incluso las de acero inoxidable!) y degradan los componentes de goma y plástico. Además, causan irritación a la piel. Los jabones más económicos (normalmente, los de tipo loción rosa) corresponden a esta categoría de jabones ácidos, los cuales, finalmente, ocasionan la falla de la válvula y la corrosión del metal.

**ADVERTENCIA:** Los jabones básicos (con niveles de pH superiores a 8.5) ocasionan la irritación de la piel y la dilatación de las piezas de goma y plástico.

### Válvulas de jabón

Las válvulas deben recibir mantenimiento (limpiarse) para funcionar adecuadamente. Como mínimo, se debe bombear agua caliente a través de las válvulas periódicamente para limpiar los residuos de jabón. Idealmente, las válvulas deben remojarse ocasionalmente durante 30 minutos en agua caliente o en una solución de limpieza para válvulas de jabón. Se debe bombear la válvula al menos 20 veces mientras está en remojo para limpiar las obstrucciones. El depósito de jabón también debe enjuagarse con agua caliente. En casos de obstrucción extrema, se debe desmontar la válvula y se deben sumergir las piezas en agua caliente o solución de limpieza para restaurar el funcionamiento adecuado. En general, cualquier jabón de calidad que cumpla las pautas de viscosidad y de pH antedichas funciona bien con los dispensadores Bradley. Los jabones antibacterianos a base de PCMX o de isopropanol (que se encuentren dentro de los límites de viscosidad y pH) también funcionan bien con los dispensadores Bradley. Los jabones que satisfacen estas pautas básicas brindan un flujo constante y reducen las obstrucciones.

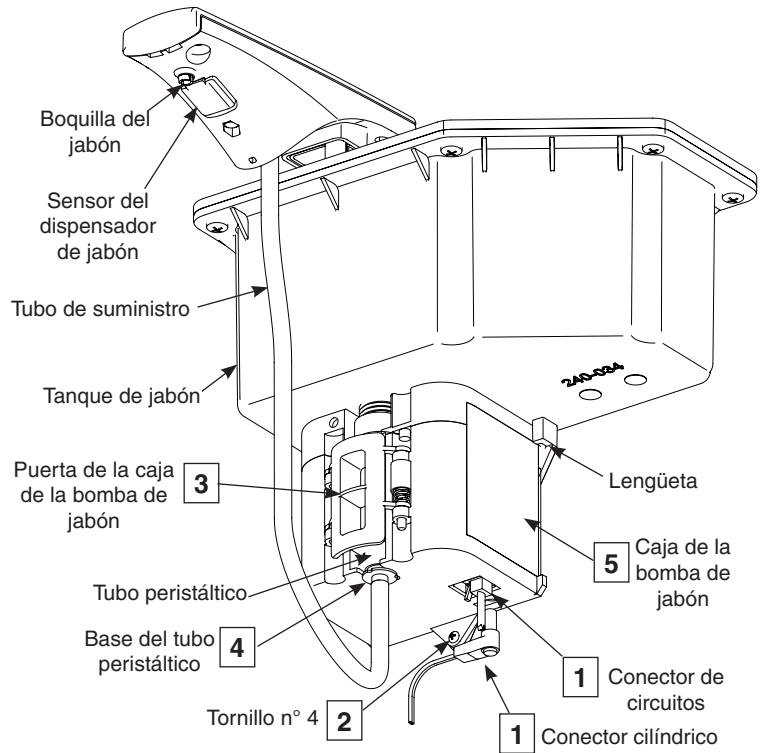
## Limpieza y mantenimiento del filtro del secador

El filtro del secador se usa para extender la vida útil del motor y proporcionar un funcionamiento sin problemas. Revise el filtro periódicamente, dependiendo de la calidad del aire y el uso. El filtro se puede lavar o reemplazar.

## Solución de problemas del sistema de jabón

### Retiro de la caja de la bomba de jabón

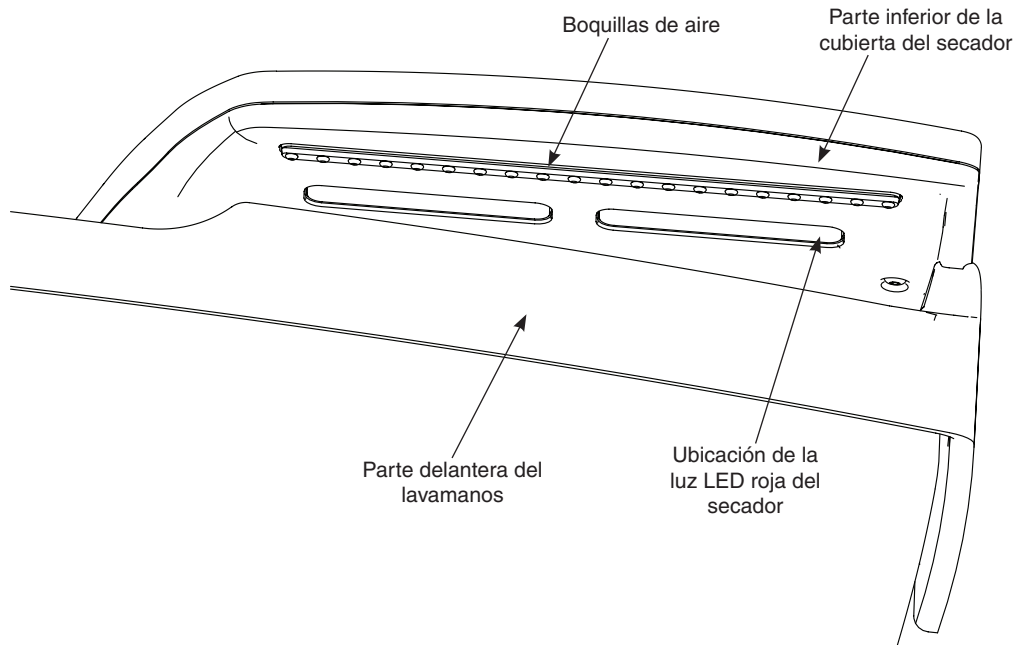
1. Desconecte el conector cilíndrico y el conector de circuitos de la caja de la bomba de jabón.
2. Retire el tornillo n° 4 de la brida inferior de la caja de la bomba de jabón.
3. Para abrir la puerta de la bomba de la caja de jabón, levante la puerta y gírela hacia afuera.
4. Desenganche la base del tubo peristáltico desde la caja de la bomba de jabón.
5. Deslice la caja de la bomba de jabón hacia abajo y sáquela del tanque de jabón.



Realice los pasos a la inversa para rearmarla.

Problema	Causa	Solución
No sale jabón del dispensador de jabón.	El sensor está sucio.	Límpielo con un paño suave y húmedo.
	Se debe cebar la bomba de jabón.	Consulte el paso 9 para conocer las instrucciones acerca del cebado de la bomba de jabón.
	El tanque de jabón está vacío.	Abra la cubierta del jabón y llene el tanque. Consulte el paso 9 para conocer las instrucciones para llenar el tanque de jabón.
	El tubo de suministro de jabón está obstruido.	Retire la cubierta del sifón. Desconecte el tubo de suministro del tubo peristáltico. Abra la cubierta del jabón. Desconecte el tubo de suministro de la conexión de codo del tubo de jabón. Retire los desechos del tubo de suministro de jabón. Vuelva a conectar el tubo de suministro y active el dispensador 8 a 12 veces para cebarlo (para cebar manualmente el jabón, abra la caja de la bomba de jabón y presione el tubo peristáltico).
	El transformador está desenchufado.	Enchufe el transformador a un tomacorriente.
	El conector cilíndrico o el conector de circuitos no están conectados a la bomba de la caja de jabón.	Conecte el conector cilíndrico o el conector de circuitos a la bomba de la caja de jabón.
El jabón se dispensa en un ángulo desde la boquilla del jabón.	Hay acumulación de jabón en la boquilla.	Limpie la boquilla del jabón con agua tibia y retire todos los desechos de la punta de la boquilla.
Sale una pequeña cantidad de jabón desde el dispensador de jabón.	Los niveles de viscosidad del jabón son más altos que los recomendados.	Para obtener información sobre la viscosidad del jabón, consulte la página 76.  Diluya el jabón en el tanque con agua o retire el jabón del tanque y llene con jabón que esté dentro del margen de viscosidad correcto.

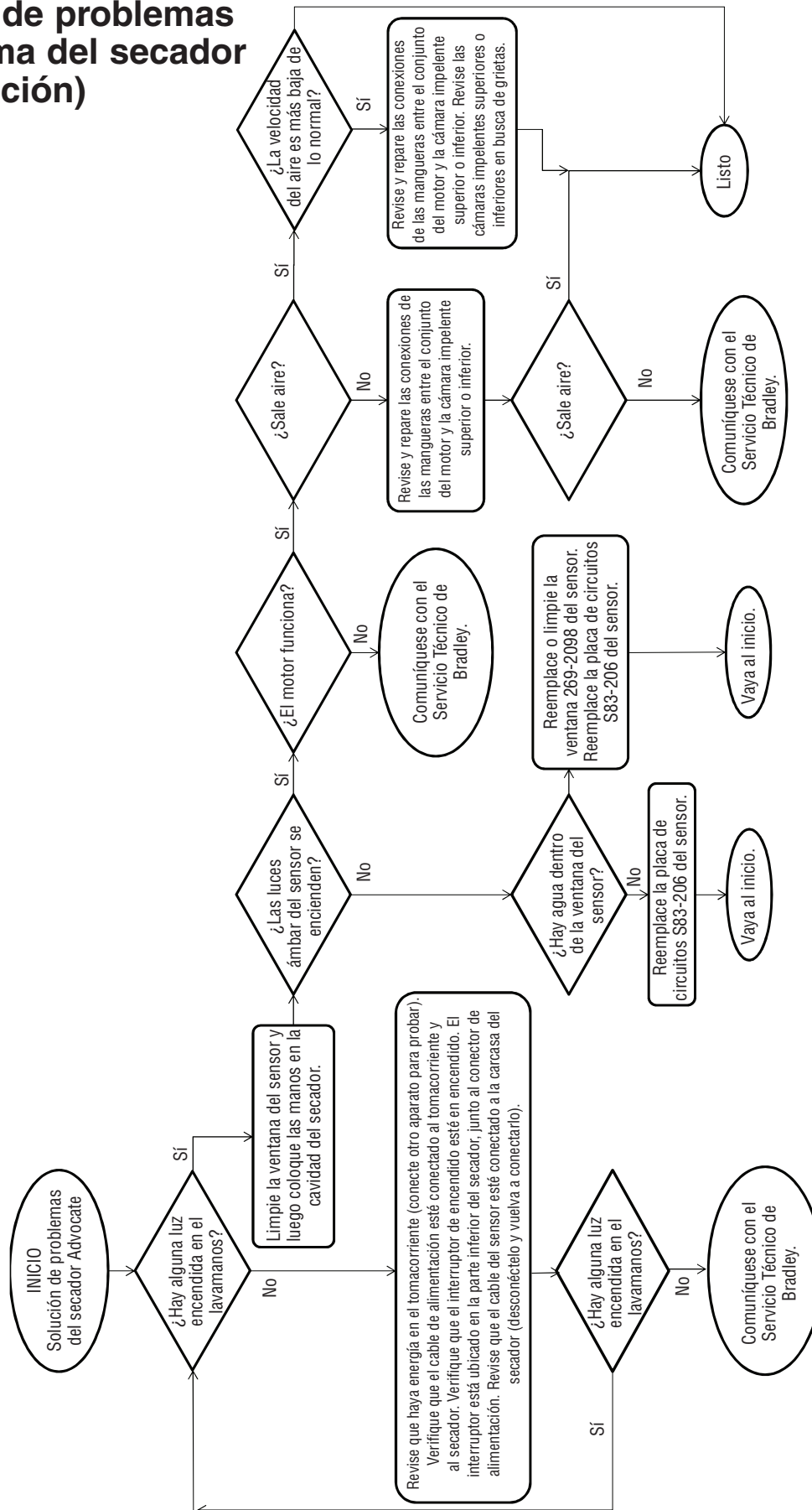
## Solución de problemas del sistema del secador



### Secuencia de error de la luz LED roja parpadeante del secador

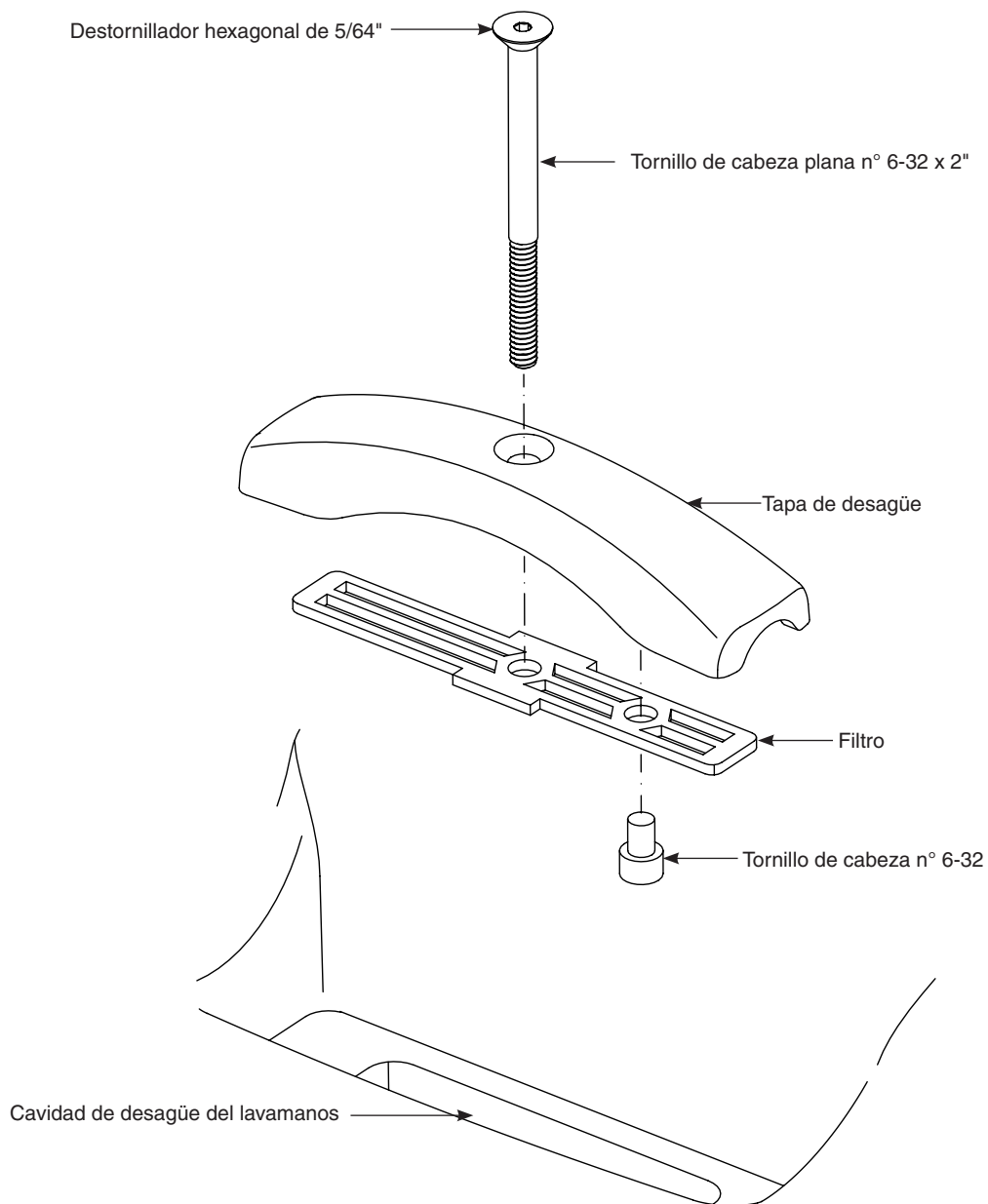
Error	Causa	Solución
1 parpadeo cada 2 segundos.	Rotor bloqueado	Comuníquese con el Servicio Técnico de Bradley.
2 parpadeos cada 2 segundos.	Sobrevoltaje	Desconecte la alimentación. Revise el voltaje de tomacorriente. Si el voltaje es el adecuado, pruebe el secador. Si el problema persiste, comuníquese con el Servicio Técnico de Bradley.
3 parpadeos cada 2 segundos.	Controlador sobrecalentado	Limpie o reemplace el filtro de aire (pieza número 269-2128). Si el problema persiste, comuníquese con el Servicio Técnico de Bradley.
4 parpadeos cada 2 segundos.	Motor sobrecalentado	Limpie o reemplace el filtro de aire (pieza número 269-2128). Si el problema persiste, comuníquese con el Servicio Técnico de Bradley.
5 parpadeos cada 2 segundos.	Voltaje bajo	Desconecte la alimentación. Revise el voltaje de tomacorriente. Si el voltaje es el adecuado, pruebe el secador. Si el problema persiste, comuníquese con el Servicio Técnico de Bradley.
6 parpadeos cada 2 segundos.	Error de comunicación (interfaz y placa de control del motor)	Comuníquese con el Servicio Técnico de Bradley.
El secador no se activa	El sensor está sucio.	Límpielo con un paño suave y húmedo.

# Solución de problemas del sistema del secador (continuación)



## Limpeza y mantenimiento de la tapa de desagüe y el filtro

Para garantizar el desagüe adecuado del agua en el sistema de lavabo Advocate, se debe limpiar periódicamente la tapa de desagüe niquelada y el filtro de acero inoxidable para eliminar la acumulación de desechos y jabón.

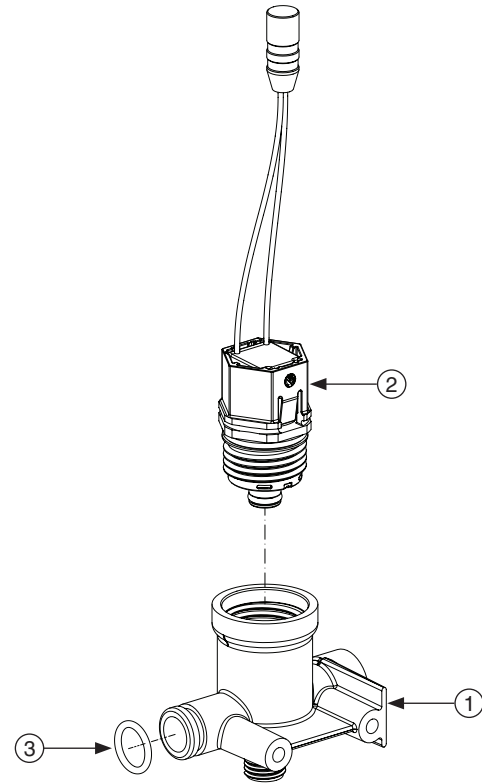


## Solución de problemas: Válvula solenoide; N° de pieza S07-067 (cuerpo cerrado) y S07-067A (cuerpo abierto)



Cierre los suministros de agua hacia la unidad antes de solucionar problemas.

Artículo	Cantidad	N° de pieza	Descripción
1	1	118-334	Cuerpo de la válvula, ¼" cerrado
1	1	118-334A	Cuerpo de la válvula, ¼" abierto
2	1	S27-352	Cartucho
3	1	125-165	Junta tórica n° 2-013



Problema	Causa	Solución
Una estación de operación individual no se puede cerrar y gotea.	Falla interna del cartucho.	Reemplace el cartucho S27-352.
No se pudo encender una estación de operación individual.	Hay un cartucho con fallas para la válvula o una conexión eléctrica suelta hacia el terminal.	<p>Pruebe la estación para determinar la causa.</p> <ol style="list-style-type: none"> <li>Desconecte los cables del cartucho de una válvula adyacente. Desconecte los cables de la válvula con problemas y vuelva a conectarlos a la válvula adyacente.</li> <li>Encienda el suministro de electricidad y agua hacia la unidad. Pase su mano por la parte delantera del sensor de la estación con problemas y debiera encenderse la estación adyacente.</li> </ol> <p>Si la estación adyacente se enciende y realiza un ciclo normal, reemplace el cartucho en la válvula con problemas.</p> <p>Si la válvula adyacente no se enciende, revise el cableado del cable del sensor y haga lo siguiente:</p> <ul style="list-style-type: none"> <li>Asegúrese de que no haya interrupciones y que los terminales de desconexión completamente aislados estén bien fijos en su lugar.</li> <li>Apague los suministros de electricidad y de agua.</li> <li>Vuelva a conectar la válvula adyacente y encienda el suministro de agua hacia la unidad.</li> <li>Pase su mano por la parte delantera del sensor. Si la estación no se enciende, sustituya el sensor.</li> </ul>

## Solución de problemas de la válvula mezcladora termostática

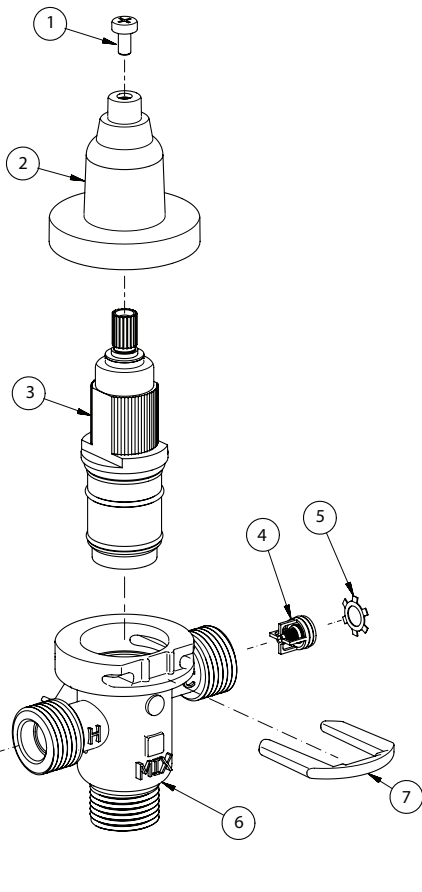
Antes de intentar solucionar problemas de la válvula o desensamblar los componentes, verifique las siguientes condiciones:

- Si se usan válvulas de cierre, compruebe que estén totalmente abiertas.
- Compruebe que los tubos de entrada de agua caliente y fría estén conectados correctamente, y que no existan conexiones cruzadas o válvulas de cierre con filtraciones.
- Revise la salida del calentador de agua caliente para comprobar que esté al menos a 5 °C (10 °F) por sobre la temperatura establecida.



Asegúrese de cerrar las válvulas de retención correspondientes antes de desensamblar la válvula, y vuelva a abrir las válvulas después de completar la inspección y la reparación.

Problema	Causa	Solución
Filtraciones externas.	Juntas tóricas o cartuchos dañados.	Sustituya el cartucho con la pieza número 269-1927
Temperatura del agua o fluctuación de la temperatura incorrecta.	El suministro de agua caliente no está a 5 °C (10 °F) sobre el punto de ajuste deseado.	Aumente la temperatura del suministro de agua caliente
	La temperatura de la válvula no está ajustada correctamente.	Ajuste la temperatura según se muestra en la página 71, paso 10.
Flujo de agua limitado.	La suciedad y los desechos se han acumulado en la válvula o en el filtro.	<ol style="list-style-type: none"> <li>1. Verifique que los suministros de agua fría y caliente estén conectados a la válvula mezcladora Navigator y que tengan flujo de agua.</li> <li>2. Retire la cubierta y la abrazadera en U. Retire el cartucho y limpie el filtro. No es necesario engrasar el cartucho; sin embargo, si desea hacerlo, sólo utilice grasa de silicona. No utilice grasa en las válvulas de retención.</li> </ol>



### Lista de piezas

Artículo	N° de pieza	Descripción	Cantidad
			S59-4000
1	160-463	Tornillo de cabeza	1
2	107-582	Cubierta	1
3	269-1927	Cartucho termostático	1
4	198-014	Válvula de retención*	2
5	132-051	Anillo de retención*	2
6	118-319	Cuerpo de la válvula	1
7	146-079	Abrazadera en U	1

\* Se incluye con el conjunto preempaquetado S65-326

**Opción de adaptador para tubería temperada n° de pieza S39-804**

**(reemplaza a S59-4000 si se usa una tubería temperada)**

