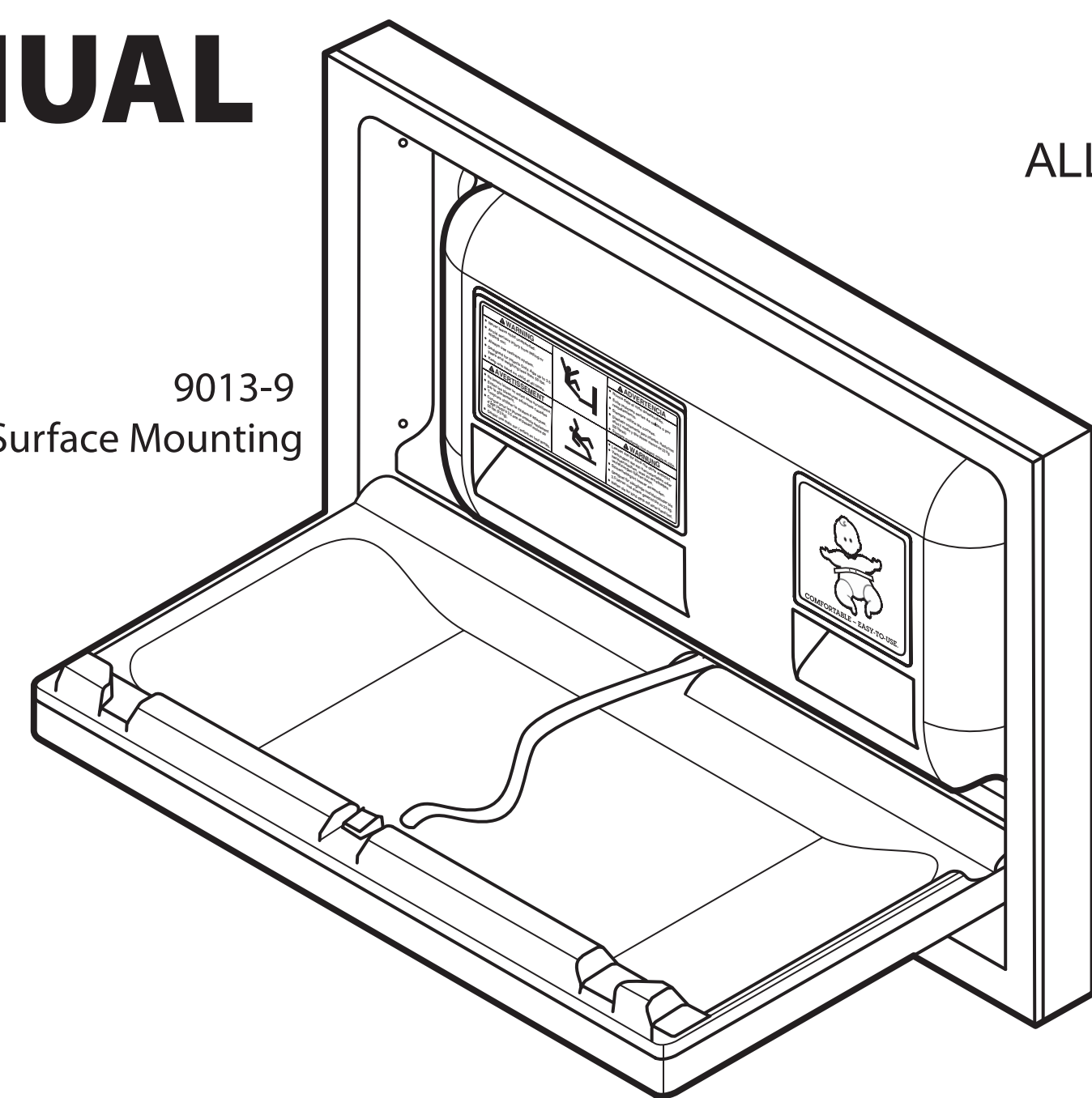
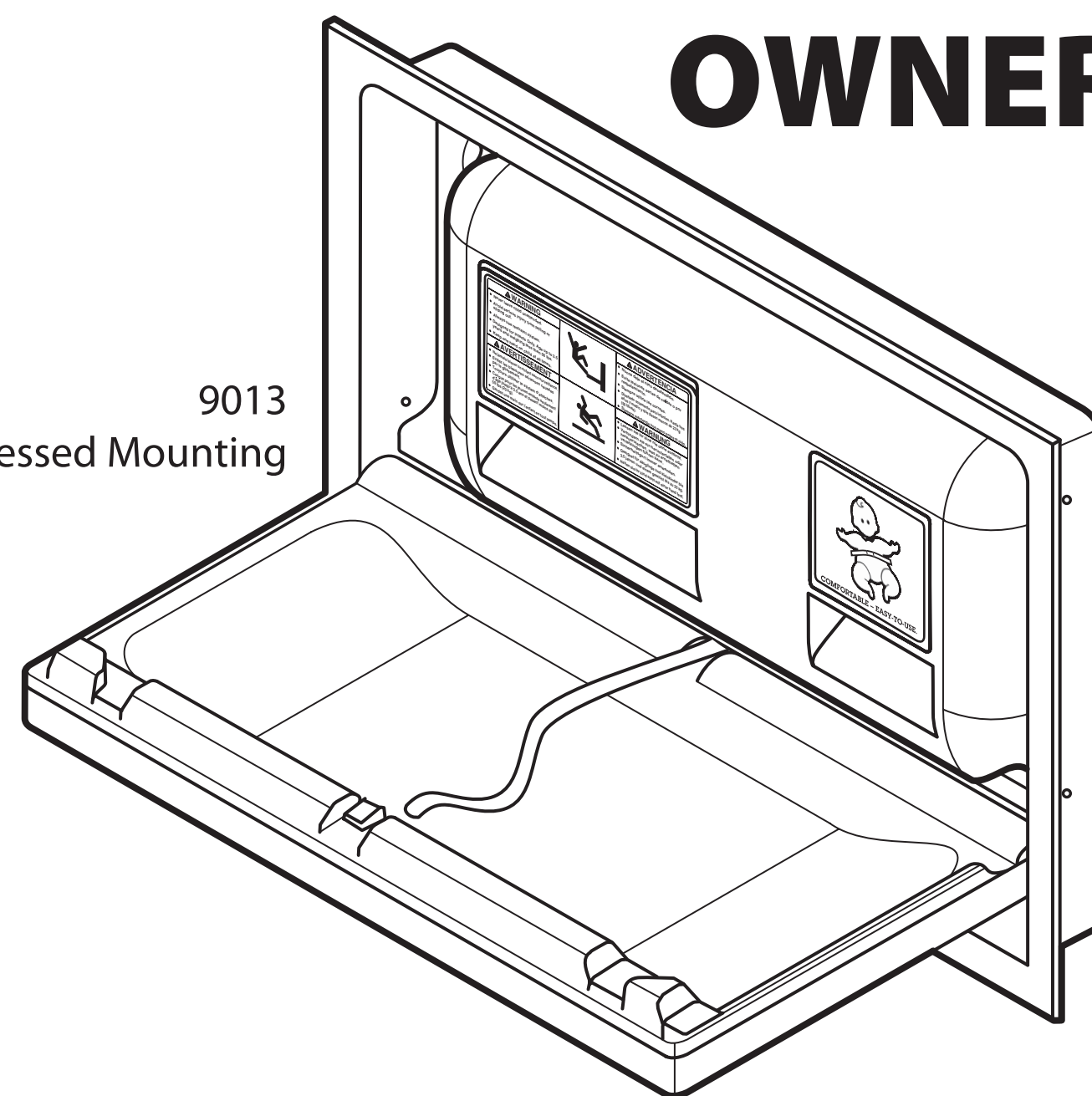


# BABY CHANGING STATION

## Installation, Maintenance and Operation

### OWNER'S MANUAL



ALL DIMENSIONS INCH [mm]

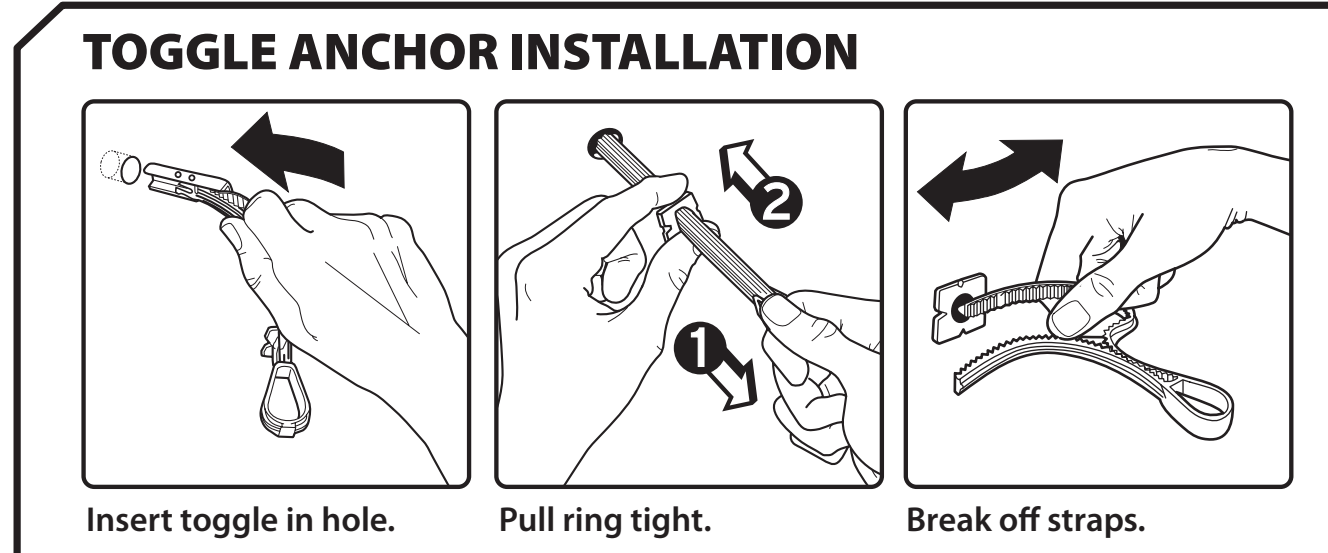
**NOTE:** This online document may not print to proper scale. **DO NOT USE** as a mounting template, only as a guide. Proper mounting template is included in carton with unit.

13" [330]

34 1/4" - 36 1/4" [870 - 921]

TO FLOOR

32" [813]



### INSTALLATION

#### General

- A qualified technician should install the Baby Changing Station. The Baby Changing Station can support a load of more than 400 lbs (181kg), however it is intended for use with a child of no more than 50 lbs (23kg) and age up to 3.5 years.
- Appropriate wall mounting is critical to the safe use of this product. If stability of mounting or wall structure is in doubt, consult the manufacturer.
- 9013 unit weight is 77 lbs (34.9 kg). 9013-9 unit weight is 87 lbs (39.4 kg).
- The wall and attachment method should be sturdy enough to support more than the maximum combined load of unit weight and user-applied weight. Ensure that the technician utilizes adequate screws and wall anchors (dowels) to suit wall conditions for wall mounted changing units.
- This product complies with ANSI Z535.1, Z535.3, Z535.4, ASTM F-2285-04, G-21, G-22, and BS EN 12221-1:2000 & 12221-2:2000.
- Read this complete Owner's Manual before beginning installation.

The manufacturer and distributors of this Baby Changing Station will not be liable in any way or responsible in any manner for units that have been improperly installed.

#### Prior to installation

- Inspect the carton for visible damage and report any product damage immediately
- Verify that all items are included.

**Carton Contents**  
 1 Baby Changing Station, protective plastic bag wrapped and film covered  
 1 Owner's Manual  
 1 Installation Diagram sheet  
 1 Exterior Product Identification Label, self-adhesive application  
 1 Hardware bag, containing the following:

- 3/8" Diameter [Ø10] Cup Washers, Qty. 4
- 3/8" Dia. [Ø10] Black Washer Cover, Qty. 4
- 3/8" Dia. x 2" [Ø10 x 50] Hex Head Lag Screw, Qty. 4
- №10 x 1-1/2" [M5 x 38] Pan Head Self-Tapping Screw, Qty. 4
- 3/8-16 x 1-1/2" [M9.5 x 38, ref.] Slotted Pan Head Screw, Qty. 4
- 3/8-16 Toggle® Toggle Anchors, Qty. 4
- 1/4" Dia. [Ø6.4] Black Hole Plug, Qty. 4
- 7/16" Dia. [Ø11] Black Hole Plug, Qty. 4

- Locate the Baby Changing Station in an area where it will not obstruct walkways or doors. Allow sufficient space in front of the unit to provide appropriate access for all approaches.
- For compliance with 2010 ADA Accessibility Standards, install unit so that top edge of changing table is 32" to 32-3/8" [813 to 822] above finished floor (AFF).
- For a table height of 32-3/4 inches AFF [813-864], the lower mounts should be between 34-1/4" and 36-1/4" [870-921] AFF.
- Review installation diagram sheet & Owner's Manual packed with unit before beginning installation.

#### For 9013: Recessed Mounting

Provide rough wall opening (RWO) 34-1/4" W x 22-3/4" H x 3-3/4" minimum D [870 x 578 x 95]. Provide adequate in-wall blocking to prepare to mount unit in wall opening using either four (4) №10 x 1-1/2" long [M5 x 38] self-tapping screws through side holes or four (4) 3/8" dia. x 2" [Ø10 x 50] lag screws (or other fasteners appropriate for wall conditions) through mounting holes in rear wall of cabinet.

#### For 9013-9: Surface Mounting

Use this sheet as a template to mark the four (4) mounting points. Provide adequate in-wall blocking to prepare to mount unit on wall using four (4) 3/8" dia. x 2" [Ø10 x 50] lag screws (or other fasteners appropriate for wall conditions) through mounting holes in rear wall of cabinet. Use a level to ensure that the mounting is horizontal.

#### Recessed Mounting In Hollow Walls With Framed RWO (9013)

**Important:** Unit mounting must be adequately reinforced to carry rated load. All mounting screws should fully penetrate RWO framing and blocking.

#### For Wood Framing

- Use 3/8" dia. x 2" [Ø10 x 50] hex head lag screws with 3/8" dia. [Ø10] cup washers through rear wall into adequate blocking at rear wall mounting points (4).
- Alternatively, use №10 x 1-1/2" [M5 x 38] pan head self-tapping screws into side framing.
- Shim to level and tighten all screws.

#### For Metal Framing

- Drill 3/4" dia. [Ø19] hole into hollow wall metal blocking at four (4) rear wall mounting points.
- Install Toggle® BC anchors (provided) into wall at rear wall mounting points.
- Provide welded, wired, riveted, or screwed metal shims to level unit.
- Use 3/8-16 x 1-1/2" pan head screws (supplied) with 3/8" dia. [Ø10] cup washer into Toggle® BC anchors (supplied, installed first) and tighten securely.
- Alternatively, use №10 x 1-1/2" [M5 x 38] pan head self-tapping screws into side framing.
- Shim to level and tighten all screws.

#### Surface Mounting on Hollow Walls (9013-9 Only)

**IMPORTANT:** Unit mounting must be adequately reinforced to carry rated load. Adequate blocking must be provided in wall to support and retain the fastener system used to allow the Baby Changer unit to hold the rated load. Use this sheet template to mark the four (4) rear wall mounting points. For a table height of 32"-34" AFF [813-864], lower mounts should be between 34-1/4" to 36-1/4" [870-921] AFF. Use a level to ensure that the mounting is horizontal.

#### For Wood Stud Framing Dry Wall

- Drill 3/16" dia. [Ø4.8] pilot holes into the wood at the four mounting points. If only two holes fall on a stud, drill two 3/4" dia. [Ø19] holes into the hollow wall at the non-stud side and install the toggle anchors (Toggle® BC, supplied) as described in the illustrated guide.
- Install the unit with the 3/8" dia. x 2" hex head lag screws or 3/8-16 x 1-1/2" pan head machine screws with toggle anchors (supplied) and cup washers provided.
- Do not tighten yet.
- After unit is hung on four mounting bolts and stabilized, use a level to make sure unit is square horizontal and plumb and then tighten the four bolts securely.

#### For Metal Stud Framing Dry Wall

- Drill 3/4" dia. [Ø19] holes at the four mounting points. Make sure at least two holes on the same side penetrate a metal stud.
- Install the toggle anchors (Toggle® BC, supplied) as described in the illustrated guide.
- Install the unit with 3/8-16 x 1-1/2" pan head machine screws (supplied) and cup washers provided.
- Do not tighten yet.
- After unit is hung on four mounting bolts and stabilized, use a level to make sure unit is square horizontal and plumb and then tighten the four bolts securely.

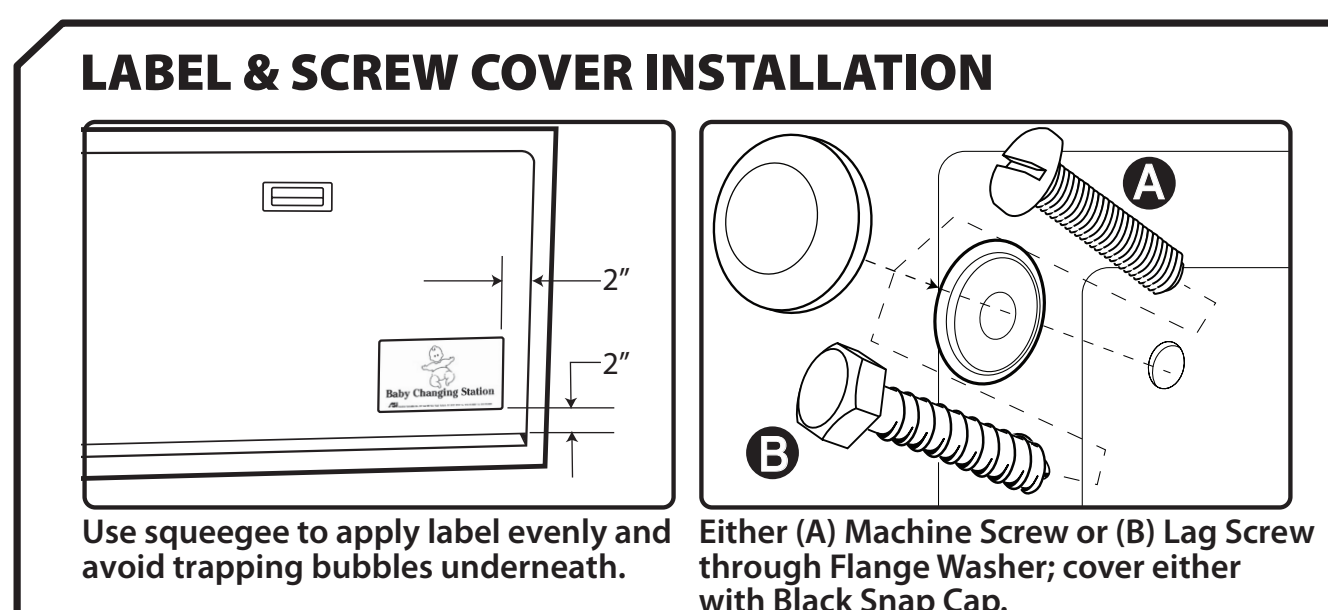
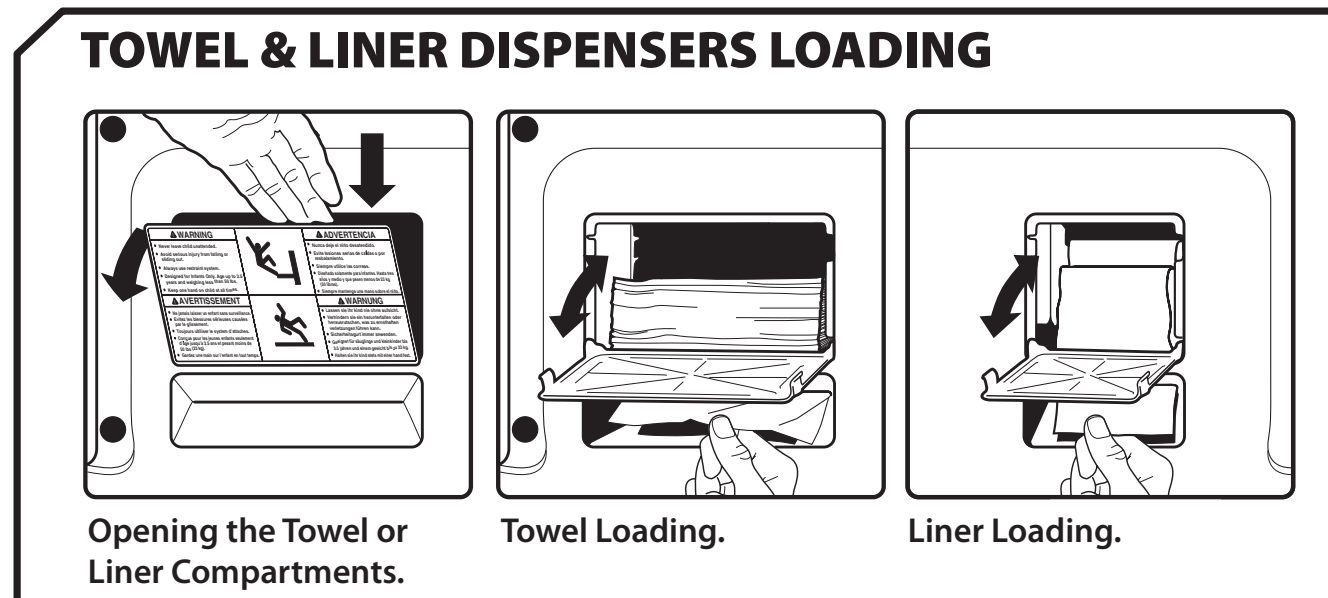
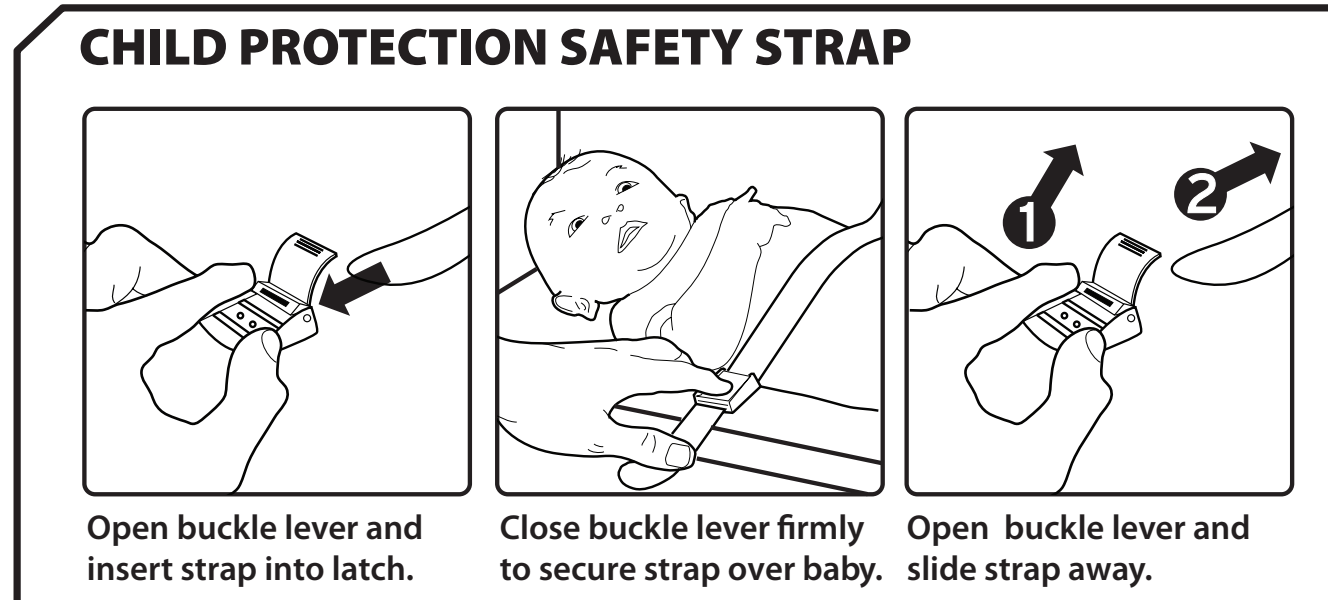
#### For Ceramic Tile Face Hollow Walls

- When mounting the unit over ceramic tile you will need to drill clearance holes through the tile only, with a masonry bit. Use a large enough bit to provide clearance for lag screws or for toggle anchors.
- Drill clearance holes through the TILE ONLY as follows:
  - With wood stud framing and 3/8" dia. x 2" [Ø10 x 50] lag screws, drill 7/16" dia. or 1/2" dia. [Ø11 or Ø13] with a masonry bit.
  - Proceed as above for wood stud framing dry walls.
  - With metal stud framing and 3/8-16 x 1-1/2" [Ø10 x 38] machine screws - toggle anchors, drill 3/4" dia. [Ø19] holes at the four (4) mounting points with a masonry bit.
  - Proceed as above for metal stud framing dry walls.

#### Mounting on Masonry Wall - Only 9013-9

Installation on a masonry wall requires four (4) 3/8" dia. x 1" [Ø10 x 25] expansion anchors and four (4) 3/8" dia. x 1-1/2" [Ø10 x 38] lag bolts or other mounting system compliant with local building codes and suitable for wall conditions and load (all not supplied).

- Drill the correct diameter holes (usually indicated on the expansion anchor) 1-3/8" [35] deep minimum if using anchors as above at the four (4) mounting points.
- Insert the four (4) expansion anchors and tap flush to the wall with a hammer.
- Install the unit with four (4) lag bolts and the cup washers provided.
- Do not tighten yet.
- After unit is hung on mounting bolts and stabilized, use a level to make sure unit is square, horizontal and plumb and then tighten the four (4) lag bolts securely with a socket wrench.



#### Testing and Final Assembly

- Open and close the unit several times to check for smooth operation.
- Place a weight of approximately 180 lbs (82 kg) on the bed table and check that unit remains securely fastened and that there is no movement away from the wall, and that the unit remains square and level horizontally both parallel and perpendicular to wall.
- Install the four (4) black snap washer covers over the mounting bolts or screws and cup washers on the rear wall using firm pressure if rear mounting was used.
- Install black hole plugs in unused mounting holes as follows:
  - 7/16" dia. [Ø11] Black Hole Plug, Qty. 4, in rear mounting holes if recess mounted using side holes only
  - 1/4" dia. [Ø6.4] Black Hole Plug, Qty. 4, in side mounting holes if surface mounted using rear holes only
- Remove all the protective plastic film from outside surfaces. Clean any remaining adhesive residue. Refer to Product Care & Maintenance bulletin (PCM.pdf) available on the web site.
- If the installation instructions have been followed correctly the Baby Changing Station is now safe and ready for use.
- Plastic bags are not play toys. To avoid the DANGER OF SUFFOCATION remove the plastic bag cover before putting the unit in service. The bag should be disposed of properly and kept away from children.

#### MAINTENANCE

##### General

- Ensure that the towel and liner compartments are always adequately stocked. Liners are essential to provide a comfortable barrier between the baby and the bed of the unit, and to help protect against the spread of infection.
- Thoroughly clean the unit daily either with warm water and mild anti-bacterial detergent dampened cleaning cloths, followed by a rinse with clean water dampened clean cloth and dry, or with commercial spray disinfectant cleaning products and clean soft cloths. DO NOT SOAK OR HOSE DOWN UNIT. Do not use any abrasive cleaning agents. Refer to Product Care & Maintenance bulletin (PCM.pdf) available on the web site.
- Periodically inspect the unit to ensure that it remains securely attached to the wall, and that the integrity of the unit and the wall mounting has not been affected by vandalism or abnormal wear.
- Regularly check the safety belt to ensure safe operation. Make sure the screw mountings remain tight. Make sure the cam latch securely locks the strap when clamped.

#### Opening the Towel or Liner Compartments

The compartment door is hinged at the bottom and retained by concealed catches at the top corners.

- Apply downward pressure with fingertips to top edge of door.
- While maintaining pressure, smartly pull door top towards yourself to slightly bow the top edge of door.
- As the cover flexes, the catches will release and the cover will pivot forward.

#### Towel Loading

Multi-fold towels conforming to CID A-A-696A, Type II, Size 2, having folded size 9-1/4" ± 1/2" W x 2-5/8" ± 1/8" D [23.5 ± 1.3 x 6.7 ± 0.3] will fit in the towel dispenser compartment.

- Open a standard (200 count) towel pack by removing the paper band wrap.
- Load compartment with towel leading edge on stack bottom facing towards the user.
- Grasp leading edge of towel with thumb and index finger through dispenser slot on bottom of compartment and pull first fold to verify proper feeding.
- Snap compartment door closed.

#### Liner Loading

Quilted and waxed liners conforming to the maximum folded dimensions of 6-1/8" W x 10" D [155 x 254] to provide an unfolded liner measuring 15" x 30" [81 x 762] will fit in the liner dispenser compartment.

- Open a standard (100 count) liner package and remove approximately 50 liners.
- Load compartment with the folded liners tilted up and angled against the rear wall so the short dimension of the folded liner is presented above the dispenser slot.
- Grasp leading edge of folded liner with thumb and index finger through dispenser slot on bottom of compartment and pull single folded liner to verify proper feeding.
- Snap compartment door closed.

#### OPERATION

##### Use of Bag Hooks

Hanging personal belongings (e.g. baby supplies, bags, backpacks, shopping bags) adds to the weight carried by the baby table. The unit can support a load weighing in excess of 400 lbs (181 kg). Good practice, however, dictates prudence. A good guideline is to not hang more than 150 lbs (68 kg) total weight on the bag hooks. **WARNING!** Excessive weight beyond this limit may cause a hazardous unstable condition to exist. Parcels or accessory items, or both, placed on the baby changing table may cause the unit to become unstable.

##### Use of Table Edge for User Support

Transfer of partial adult weight (e.g. leaning on, slouching against, fall & grab) contributes to load carried by the Baby Table. The unit can support in excess of 400 lbs (181 kg). Good practice, however, dictates prudence. A good guideline is to not add more than 260 lbs (118 kg) total weight to front edge of table. **WARNING!** Excessive weight beyond this limit may cause a hazardous unstable condition to exist. Parcels or accessory items, or both, placed on the baby changing table may cause the unit to become unstable.

##### Use of Child Protection Safety Strap

**WARNING!** Avoid serious injury from falling or sliding out. Always use restraint system. Never leave the child unattended. Secure child in place with the child protection safety strap by sliding the safety strap into the cam buckle until it is snug on child. Tighten or loosen the strap by pulling the strap end through and clamping the buckle. Do not unhook the strap simply lift the buckle lever and pull the strap out.

#### General Warnings and Cautions

**WARNING!** Do not leave the child unattended.  
**CAUTION:** Be aware of the risk of open fire and other sources of strong heat, such as electric heaters, gas heaters (bar fires), heat lamps, etc., in the near vicinity of the changing unit.

#### Warranty

ASI Baby Changing Stations are warranted to be free of defects in material or workmanship for a period of five (5) years from date of invoice. Should the product fail under this warranty period, the sole remedy, at the seller's option, will be to provide parts, provide an equivalent new or refurbished product, or refund the purchase price.

ASI AND/OR SELLER DISCLAIM ANY LIABILITY FOR SPECIAL, INCIDENTAL, OR CONSEQUENTIAL DAMAGES. This warranty excludes product damage due to incorrect installation, improper maintenance, wear and tear, product abuse, or product misuse, whether performed by a contractor, service company, or the consumer.

ASI will not be responsible for labor/transportation costs associated with the removal, replacement, repair by others, reinstallation, renovation, or return of its products.

\* 9013-9 **ONLY MUST** use these holes; 9013 should also use these holes but may use the side holes provided as an alternate. See the INSTALLATION section for full details.