



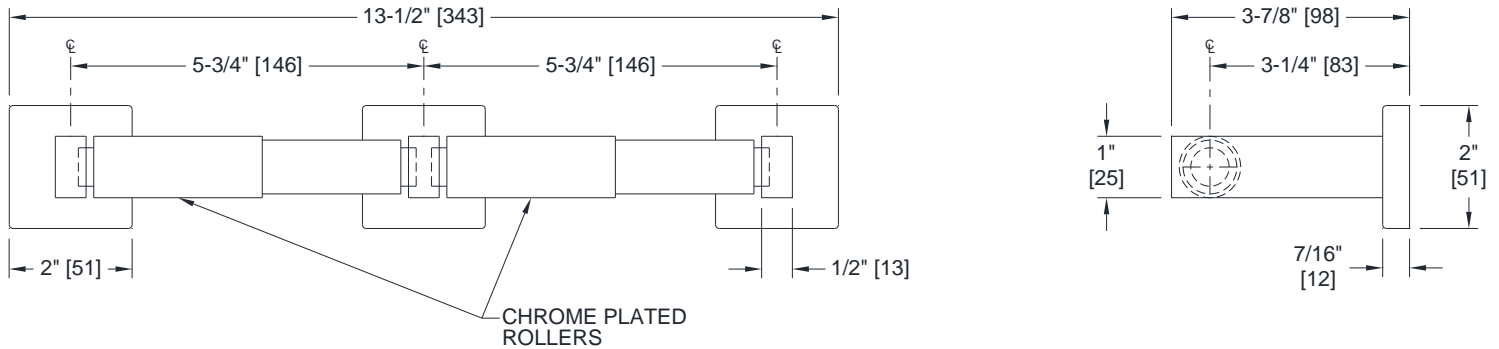
**AMERICAN SPECIALTIES, INC.**  
 441 Saw Mill River Road, Yonkers, NY 10701  
 (914) 476.9000 • (914) 476.0688  
 www.americanspecialties.com

**MODEL №:** 7305-2

**ISSUED:** JAN 1987

**REVISED:** 29 APR 2022

**SURFACE MOUNTED DOUBLE TOILET TISSUE HOLDER**



**FRONT VIEW**

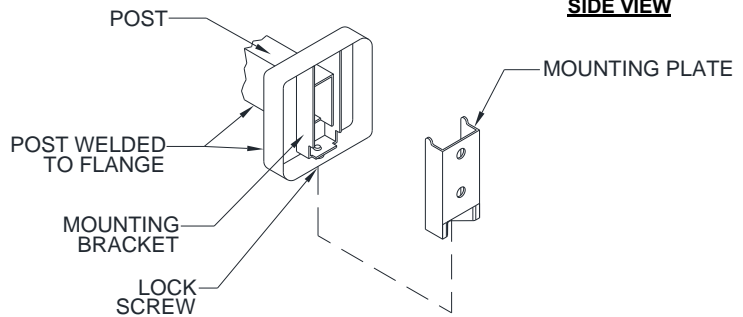
**SIDE VIEW**

**NOTE**

ALL DIM'S INCH [MM]

ILLUSTRATION FOR REF ONLY AND NTS

FOR CLEANING INSTRUCTIONS SEE APPROPRIATE SECTIONS IN PRODUCT CARE & MAINTENANCE BULLETIN (PCM) ON ASI WEBSITE



**ISOMETRIC**

**SPECIFICATION**

Surface Mounted Double Toilet Paper Holder unit shall hold and dispense two (2) rolls of core roll tissue up to 5-1/2" Dia [Ø140]. Unit shall be fabricated of stainless steel alloy 18-8, type 304. Posts shall be fabricated of 1/2" [13] x 1" [25] rectangular tubing. Stainless steel setscrews shall be provided on bottom perimeter of flanges to lock unit to mounting plates. Mounting plates shall be included and shall be 18 gage. Rollers shall be chrome-plated high-impact resistant ABS plastic and two (2) shall be supplied. All exposed surfaces shall be satin finish, bright finish or Powder Coated (PC) Matte Black finish as chosen by option and indicated by code suffix.

**Surface Mounted Double Paper Holder shall be Model № 7305-2\_\_ (add -S for Satin Finish, -B for Bright Finish or -41 for PC Matte Black Finish) of American Specialties, Inc., 441 Saw Mill River Road, Yonkers, NY 10701-4913**

**INSTALLATION**

Surface mount unit on wall using № 10 self-threading flat, oval or pan head screws (by others) through holes provided in mounting plates into suitable prepared mountings (by others) or other suitable mounting hardware (by others) to suit wall conditions. Hang post and flange assemblies on mounting plates and tighten setscrews to lock units to plates. For compliance with 2010 ADA Accessibility Standards, 2015 ABA Standards and ANSI 117.1 Standards install unit so that center line of dispenser is 7" [178] min to 9" [229] Max in front of toilet and dispenser center is 15" [381] Min AFF to 48" [1219] Max AFF.

**OPERATION**

Spring-loaded spindles revolves freely and holds roll until cores are removed.