



AMERICAN SPECIALTIES, INC.

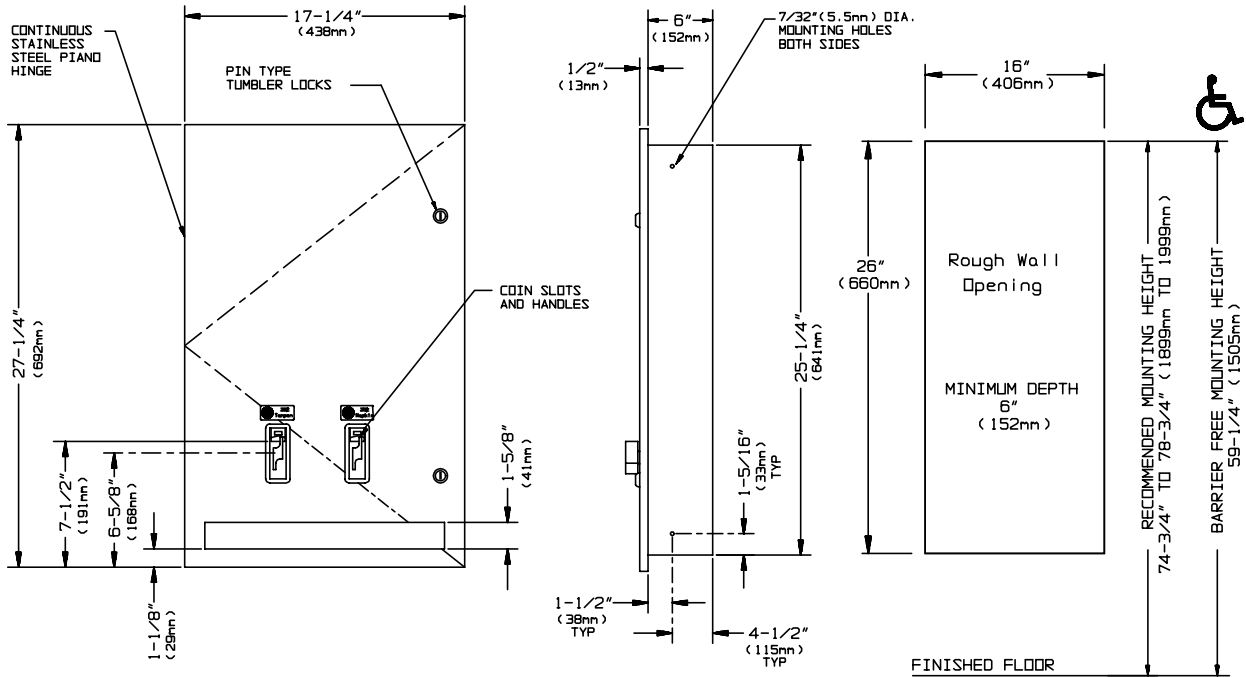
441 Saw Mill River Road, Yonkers, NY 10701 (914) 476-9000

MODEL No: 6468

ISSUED: 1-87

REVISED: 9-04

RECESSED MOUNTED DUAL SANITARY NAPKIN AND TAMPON DISPENSER (PAGE 1/2)



SPECIFICATION

Recessed Mounted Dual Sanitary Napkin & Tampon Dispenser shall hold 30 napkins and 27 tampons of specified sizes and shall have cabinet fabricated of alloy 18-8 stainless steel, type 304. Cabinet shall be 20 gauge. Full face doors shall be fabricated of 18 gauge same grade stainless steel, and shall be attached to cabinet with a full length 3/16" (5mm) dia. stainless steel multi-staked piano hinge and shall be held closed with two (2) tumbler locks keyed alike to other ASI washroom equipment. Structural assembly of body and door components shall be of welded construction and have no exposed fasteners or welded seams. All exposed surfaces shall have N^o4 satin finish and shall be protected during shipment with a PVC film easily removable after installation. Internal coin-box shall be keyed differently than door locks. Dispensing mechanisms shall be fastener mounted internally to provide ability to change mechanisms for coinage denomination. Weights for each feed track shall be supplied. Factory installed coin operation denomination shall be _____ (please fill in 25¢ or 50¢ or FREE) and add denomination as suffix to model N^o (i.e. 6468-25).

Recessed Mounted Dual Sanitary Napkin & Tampon Dispenser shall be Model N^o 6468-xx as manufactured by American Specialties, Inc., 441 Saw Mill River Road, Yonkers, New York 10701-4913

INSTALLATION

Unit is mounted in wall recess using four (4) N^o 10 self-tapping screws (by others). For maximum usability and compliance with ADA Accessibility Guidelines, unit should be installed so that coin slot is between 54" (1372mm) maximum above finished floor (AFF) and 38" (965mm) minimum AFF. Note that coin slot is 6-3/8" (162mm) above bottom edge of RWO, bottom flange is 5/8" (16mm) below bottom edge of RWO.

Rough Wall Opening (RWO) required is.....16"W x 26"H x 6-1/4"D (406mm x 660mm x 159mm).

Accessory Specialties

AMERICAN DISPENSER

Desert Ray Products

WATROUS INC.

THIS MANUFACTURER RESERVES THE RIGHT TO MAKE CHANGES IN DESIGN OR DIMENSIONS WITHOUT FORMAL NOTICE

**AMERICAN SPECIALTIES, INC.**

441 Saw Mill River Road, Yonkers, NY 10701 (914) 476-9000

MODEL No: 6468

ISSUED: 1-87

REVISED: 9-04

RECESSED MOUNTED DUAL SANITARY NAPKIN AND TAMPON DISPENSER (PAGE 2/2)**OPERATION**

Deposit of specified coin allows operation of dispenser. Napkin and tampon dispensers operate independently. Selected product drops into vending opening after operator actuation. Indicator displays empty condition and blocks coin slot when product is depleted. Unit vend product supply is replenished on cycle determined by maintenance needs by opening door and manually reloading product into dispenser supply tracks. Track weights **MUST BE USED** to provide positive feed.

NAPKINS, SINGLES, CARDBOARD-BOXED, SEMIGLOSS FINISH; CAPACITY: 30,
BOX SIZE: 4-1/4" x 3" x 1-1/8" (108mm x 76mm x 29mm)

Stayfree	No. 4
Guards	No's. 247, or 147
Kotex	No's. 704, 707, 07010, 07040, 07045, 07300, 07320
Pure-Nat	No. M-4
Modess	No. 4

TAMPONS, CYLINDER, CARDBOARD, SEMIGLOSS, CRIMPED ENDS; CAPACITY: 27,
TUBE SIZE: 3/4" dia. x 5-1/4" (19mm x 134mm)

Tampax	
Modess Tampons	