



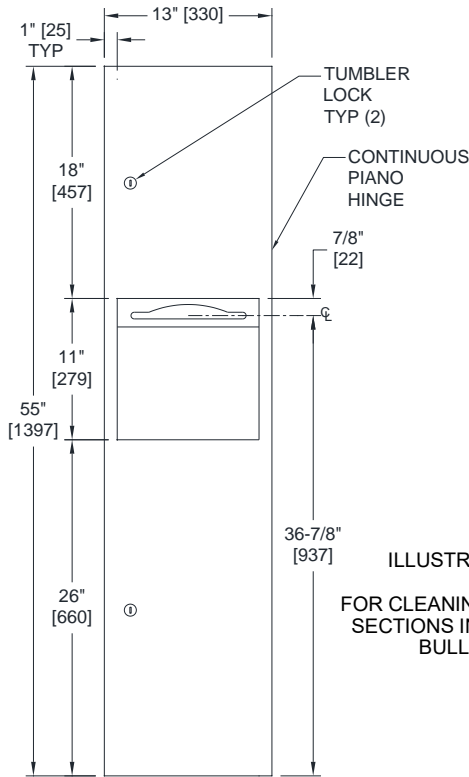
AMERICAN SPECIALTIES, INC.
 441 Saw Mill River Road, Yonkers, NY 10701
 (914) 476.9000 • (914) 476.0688
 www.americanspecialties.com

MODEL №: 6467-9

ISSUED: JAN 1987

REVISED: 22 APR 2022

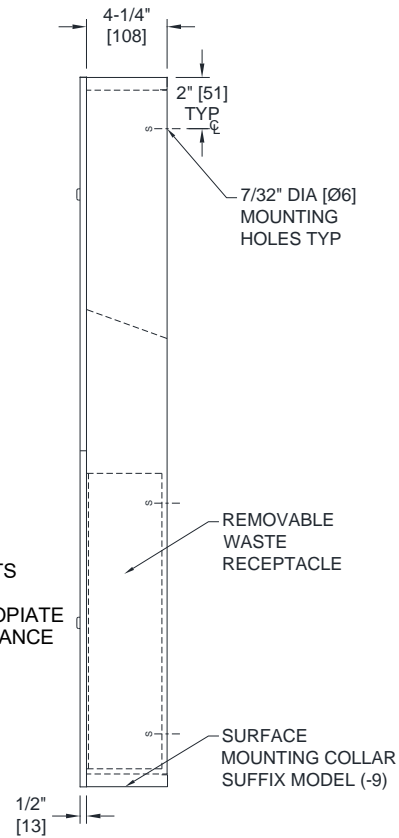
SURFACE MOUNTED PAPER TOWEL DISPENSER AND WASTE RECEPTACLE



FRONT VIEW

NOTE

ALL DIM'S INCH [MM]
 ILLUSTRATION FOR REF ONLY AND NTS
 FOR CLEANING INSTRUCTIONS SEE APPROPRIATE
 SECTIONS IN PRODUCT CARE & MAINTENANCE
 BULLETIN (PCM) ON ASI WEBSITE



SIDE VIEW

SPECIFICATION

Surface Mounted Towel Dispenser and Waste Receptacle shall hold and dispense 800 standard multi-fold or 600 standard C-fold paper towels, and shall have a waste capacity of 4.24 gal (16L). Cabinet, door, skirt, dispenser and waste receptacle shall be fabricated from alloy 18-8 stainless steel, type 304. Full face door shall be 18 gage formed from one piece with no miters, welding or open seams on face with a 1/2" [13mm] return to collar and shall be attached to cabinet at side with a full length 3/16" Dia [Ø4,8] stainless steel multi-staked piano hinge and be held closed with two (2) tumbler locks keyed like other ASI Washroom Equipment. Cabinet shall be 20 gage and skirt shall be 22 gage. Towel dispensing slot shall have a fully hemmed-in rolled edge for snag-free dispensing and user safety. Dispensing mechanism shall include an adapter that permits the use of multi-fold and C-fold paper towels. Waste receptacle shall have a rolled edge finger hole for easy servicing and removal. Structural assembly of all components shall be of welded construction. All exposed surfaces shall be satin (or Powder Coated (PC) Matte Black finish if suffix -41 is added to Model №) finish protected by a PVC film easily removable after installation. Unit shall be supplied with SM collar (skirt) to convert to surface mounting.

Surface Mounted Towel Dispenser and Waste Receptacle shall be Model № 6467-9 (add -41 for PC Matte Black) as manufactured by American Specialties, Inc., 441 Saw Mill River Road, Yonkers, NY 10701-4913

INSTALLATION

Surface mount and secure unit to wall with four (4) № 10 self-threading flat, oval or pan head screws (by others) through mounting holes in cabinet back. For compliance with 2010 ADA Accessibility Standards and 2015 ABA Standards install unit so that center line of towel dispenser slot is 48" [1219] Max AFF if clear floor reach access only is provided. SM collar is installed on cabinet prior to mounting on wall following procedure as described on SM Collar Data Sheet.

OPERATION

Towels are self-feeding until supply is depleted. Unit may be reloaded with a partial load in-place and will continue to feed properly. Waste receptacle is emptied manually on a cycle determined by maintenance needs. Locking door prevents unauthorized access or removal.