



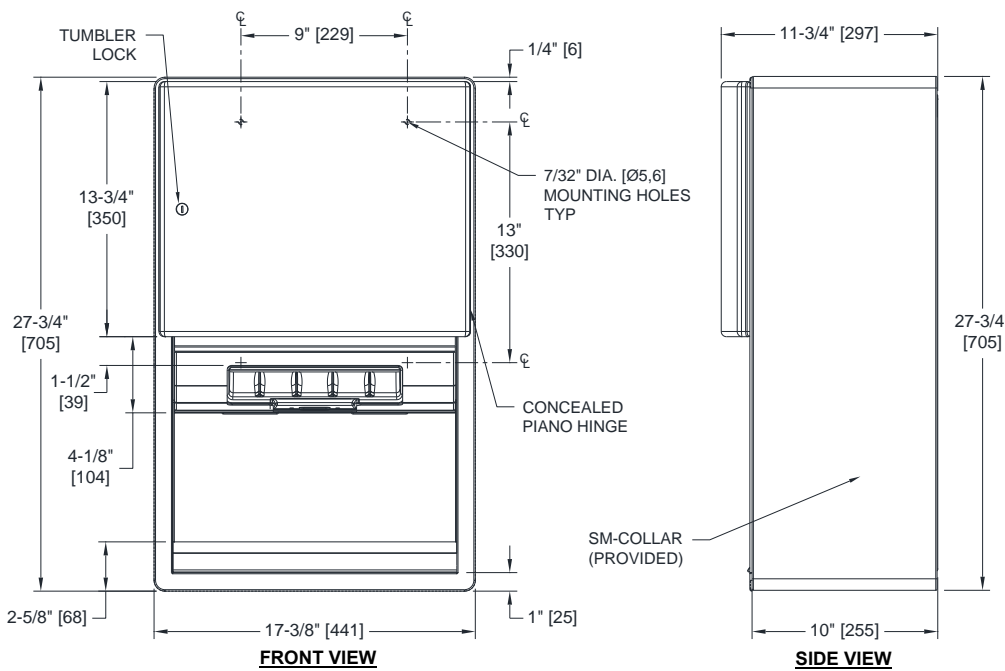
AMERICAN SPECIALTIES, INC.
 441 Saw Mill River Road, Yonkers, NY 10701
 (914) 476.9000 • (914) 476.0688
 www.americanspecialties.com

MODEL №: 204523A-9

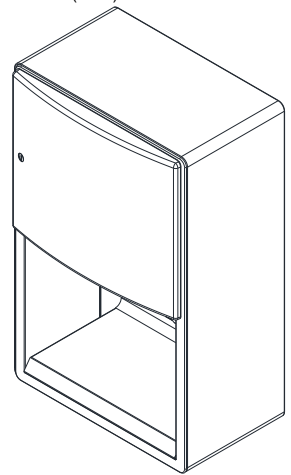
ISSUED: NOV 2009

REVISED: 4 OCT 2021

ROVAL™ SURFACE MOUNTED AUTOMATIC ROLL PAPER TOWEL DISPENSER



NOTE:
 ALL DIM'S INCH [MM]
 ILLUSTRATION FOR REF ONLY AND NTS
 FOR CLEANING INSTRUCTIONS SEE APPROPRIATE
 SECTIONS IN PRODUCT CARE & MAINTENANCE
 BULLETIN (PCM) ON ASI WEBSITE



ISOMETRIC

SPECIFICATION

Roval™ Collection Surface Mounted Automatic Roll Paper Towel Dispenser shall hold and dispense one 8" Dia. [Ø203] x 8" [203] wide standard towel roll up to 800 ft. (244m) long and one 8" wide [203] stub roll up to 4" Dia. [Ø102]. Cabinet full door shall be drawn seamless and shall have bowed front face and gently radiused edges to provide added strength and complimentary appearance for modern washroom aesthetics. Automatic Touchless Roll Towel Dispenser shall be powered by four (4) D-size batteries (not supplied) and shall operate automatically to activate towel dispensing when hands are placed in sensor zone from 1/2" [13] below sensor to 4-1/2" [114] below sensor. At each activation unit shall feed out a length of towel selected by owner by setting length, delay and paper saver switches. Unit shall have an internal towel cut-off bar. Cabinet, frame and collar shall be 22 gauge type 304 stainless steel alloy 18-8. Towel dispenser door shall be 18 gauge same grade and shall have a full return and formed sill at bottom edge for user safety. All exposed surfaces shall have satin finish protected by PVC film easily removed after installation. Door shall be attached to cabinet at side with a full-length 1/8" Dia. [Ø3,1] stainless steel multi-staked piano hinge and shall be held closed with a flush rimless tumbler lock keyed alike to other ASI washroom equipment. Internally concealed doorstop shall prevent over-swing when opened rapidly. Face trim shall be 1" [25] wide formed from one piece with no miters, welding or open seams and have 1/8" [3,1] radiused return to SM-Collar. Structural assembly of all components shall be of welded construction. Cabinet shall have no exposed fastening devices or spot-welded seams.

Roval™ Collection Surface Mounted Automatic Roll Paper Towel Dispenser shall be Model № 204523A-9 of American Specialties, Inc., 441 Saw Mill River Road, Yonkers, New York 10701-4913

INSTALLATION

Provide adequate in-wall reinforcement (by others) in drywall construction to hold mounted unit in-service after wall is finished. Provide appropriate anchors (by others) to suit wall and field conditions for installation onto walls other than new drywall. Mount unit on wall using № 10 x 1-1/2" [M5 x 40] self-threading pan head or flat head screws (by others) through concealed mounting holes provided. For compliance with ANSI A-117.1, 2015 ABA Standards and 2010 ADA Accessibility Standards, install unit so that top edge of towel dispenser opening is 48" [1219] Maximum Above Finished Floor (Max AFF) only if clear floor reach access is provided. For general utility, install unit with top of towel dispenser opening between 49" [1245] and 56" [1422] AFF.

OPERATION

Towels are dispensed one length at a time automatically when hands are placed in sensor zone until supply is depleted. Owner predetermines length of towel dispensed by making selections on three (3) three (3)-position switches for length, delay, and economy. Unit may be reloaded with a full roll to automatically start when finished with an existing partial roll and will continue to feed properly when reloaded with a full roll and partial roll is transferred to stub roll position. Refill dispenser by unlocking door and replacing towel roll for an empty or partially empty unit. Dispenser supply is replenished and batteries are replaced manually on cycles determined by maintenance needs. Locking door prevents unauthorized access and roll or battery removal.