



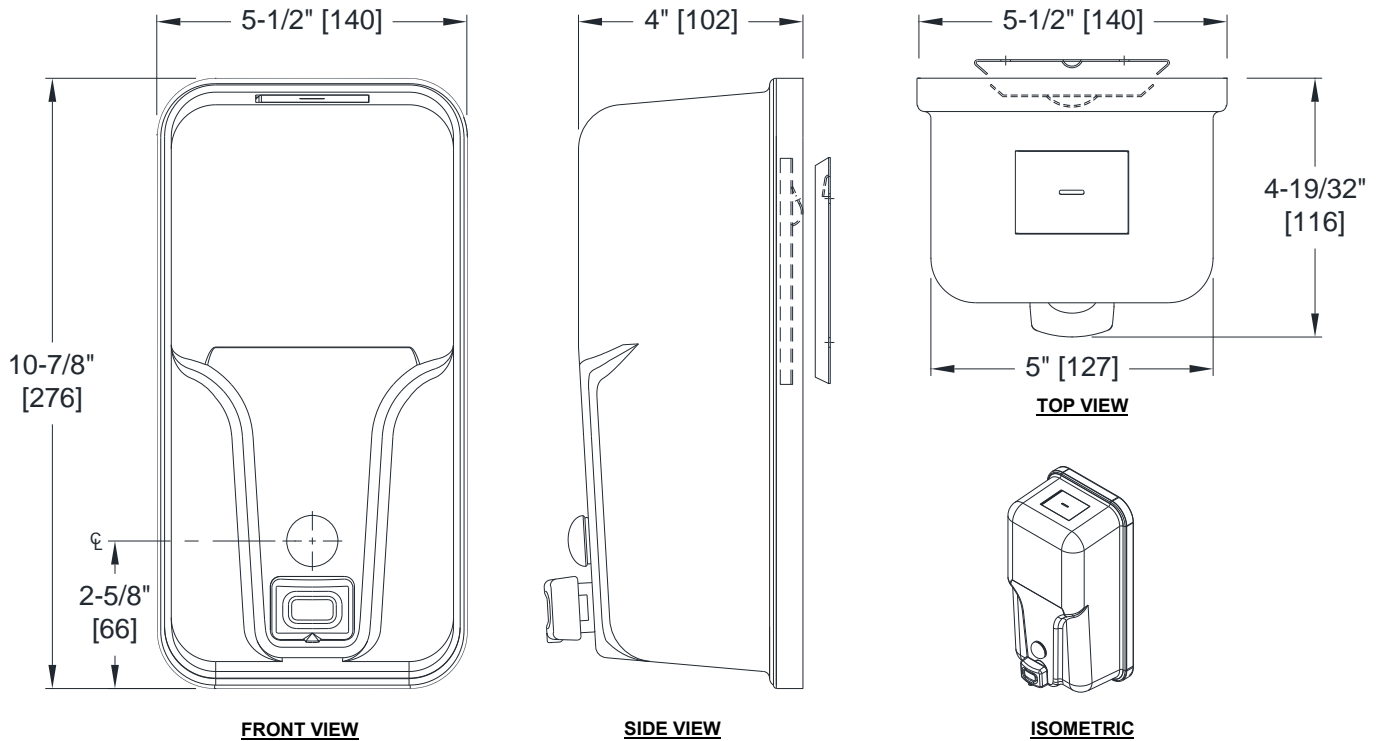
**AMERICAN SPECIALTIES, INC.**  
 441 Saw Mill River Road, Yonkers, NY 10701  
 (914) 476.9000 • (914) 476.0688  
 www.americanspecialties.com

**MODEL №:** 20363

**ISSUED:** 03-10

**REVISED:** 30 OCT 2020

**SURFACE MOUNTED VERTICAL SOAP DISPENSER**



**NOTE:**

ALL DIM'S INCH [MM]

ILLUSTRATION FOR REF ONLY AND NTS

SEE SOAP DISPENSER CARE & MAINTENANCE DOCUMENT ONLINE FOR CLEANING

**SPECIFICATION**

Surface Mounted Vertical Soap Dispenser shall hold 57 oz (1.7 L) of liquid soaps having a pH in range  $7 \pm 1.5$  and viscosity in range 1–5500 cP (mPa\*s). Soaps containing reportable salts, chlorides and alcohols should be avoided. Dispenser shall be 20 gage type 304 stainless steel alloy 18-8. All exposed surfaces shall be satin finish. Valve shall be constructed of a plastic valve body and push button with stainless steel and plastic internal parts. Valve operation shall comply with 2010 ADA Accessibility Standards and ICC/ANSI A.117.1 by requiring no more than 5 lbs<sub>f</sub> (22.2 N) pressure to actuate and require no grasping or twisting by operator. A tamper resistant sight gauge shall be provided. Unit shall have a hinged stainless steel refill door on top of unit, which is opened with special key provided.

Surface Mounted Vertical Soap Dispenser shall be Model № 20363 of American Specialties, Inc., 441 Saw Mill River Road, Yonkers, New York 10701-4913

**INSTALLATION**

Secure concealed mounting plate (supplied) to wall or partition using three (3) pan head self-threading screws № 8 x 3/4" (M4.5 x 20) (by others) through mounting holes provided in plate into plastic wall anchors or other suitable mounting system (provided by others). Secure unit to interlocking wedge bracket and locked in place by a locking screw (supplied) installed through hinged refill door. For compliance with 2010 ADA Accessibility Standards, install unit with centerline of valve button 48" [1219] Maximum Above Finished Floor (AFF). For general utility install unit 42" [1066] AFF or 6" [152] minimum above counter top. Fill tank with appropriate viscosity soap to correct level and lock door. Locking door protects soap from inadvertent introduction of contaminants. Retain key provided for future access.

**OPERATION**

Push button to dispense soap. Unit is refilled through hinged door at top requiring special key (supplied) to open. Soap tank will continue to feed properly until soap level is below valve intake port. Tank supply is replenished manually on cycle determined by maintenance needs.