



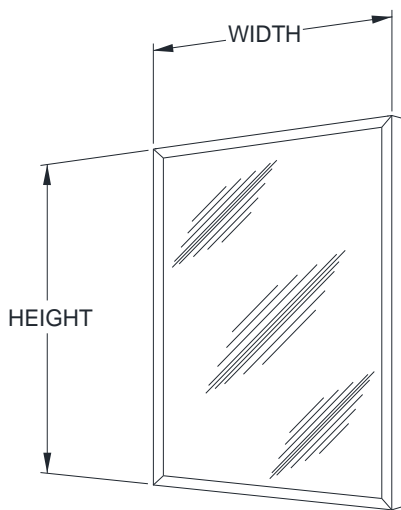
AMERICAN SPECIALTIES, INC.
 441 Saw Mill River Road, Yonkers, NY 10701
 (914) 476.9000 • (914) 476.0688
 www.americanspecialties.com

MODEL №: 0620

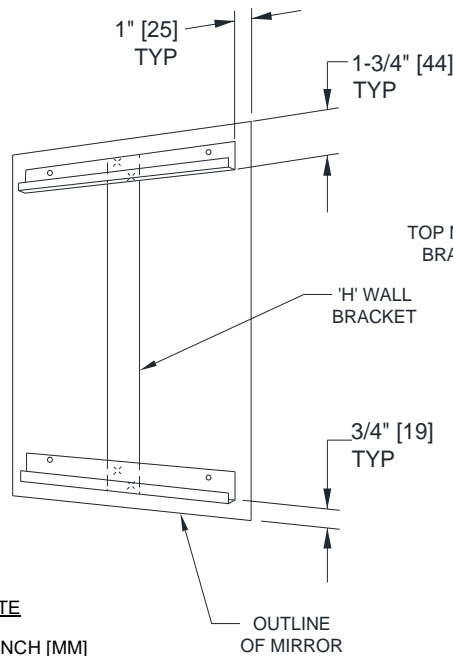
ISSUED: 01-87

REVISED: 18 JUL 2019

CHANNEL FRAME MIRROR



PICTORIAL VIEW

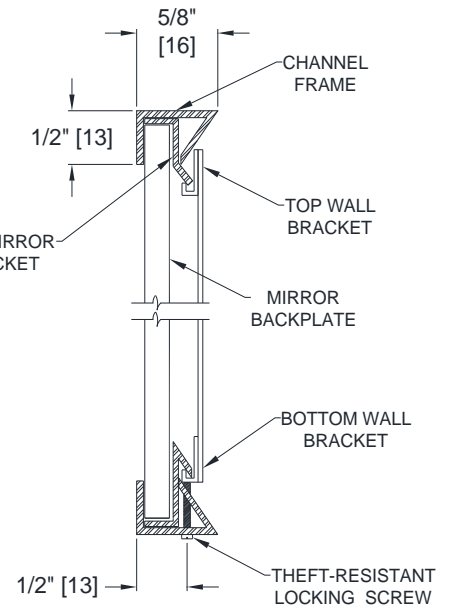


NOTE

ALL DIM'S INCH [MM]

ILLUSTRATION FOR REF ONLY AND NTS

FOR CLEANING INSTRUCTIONS SEE APPROPRIATE SECTIONS
 IN PRODUCT CARE & MAINTENANCE BULLETIN (PCM) ON ASI WEBSITE



VERTICAL SECTION

SPECIFICATION

Channel Frame Mirror shall have frame of 20 gauge type 304 stainless steel alloy 18-8, with mitered corners. Mirror glazing shall be _____ (insert glazing option) and shall be warranted for 15 years against silver spoilage. All edges of mirror shall be protected by friction and chafe absorbing fillers. Back of mirror shall be protected by full size shock-absorbing water-resistant filler and full size one piece 20 gauge corrosion protected steel. Top and bottom wall mounting brackets shall be 20 gauge corrosion protected steel and shall be spot welded into "H" hanger. Mirror shall be secured to lower bracket with a Phillips Pan Head locking screw.

Channel Frame Mirror shall be Model № 0620-_____ (insert glazing option) _____ (note size, W x H) as manufactured by American Specialties, Inc., 441 Saw Mill River Road, Yonkers, New York 10701-4913

MATERIALS

- Frame:** 20 gauge type 304, 18-8, stainless steel. Roll-formed one piece construction. Exposed surfaces shall be satin finish. Edges and corners are burr free.
- Glass:** Standard glazing is № 1 quality, 1/4" [6,4] thick plate/float, silver coated and hermetically sealed with a uniform copper plating, and warranted against silver spoilage for 15 years. Mirrors meet Federal Spec DD-M-411C, ASTM C-1503, and ASTM C-1036-91.
- Filler:** Expanded polyethylene microcell foam sheet material, abrasion resistant and shock absorbing, water resistant, 1/8" [3,2] total layer thickness.

FABRICATION NOTE FOR SPECIFICATION

Mirrors larger than 32sq. Ft. [2.97m²] are fabricated in two (2) or more sections to provide installation and handling ease.

INSTALLATION

Install "H" wall brackets level and plumb per diagram location using **ONLY** № 8 or № 10 Pan Head screws (by others). Hang mirror on brackets and tighten locking screw (№ 6-32F x 3/4" Philips Pan Head, supplied separately taped to mirror back) at bottom (note: this screw should be started prior to hanging mirror on wall bracket). For compliance with 2010 ADA Accessibility Standards and ABA Standards 2015, bottom edge of reflecting surface should be no higher than 40" [1016] AFF (Above Finished Floor).

GLAZING OPTIONS

Units are supplied with 1/4" [6] thick plate glass. Other glazing options are available. For a complete description of any other available glazing, see the **MIRROR GLAZING OPTIONS** chart.