

OWNER'S MANUAL

1. Specifications :

Dimensions Inch [mm]	4.6" x 10.4" x 4.4" [118 x 263 x 113]
Soap Tank Capacity	27 fl oz (800 ml)
Battery, Alkaline	6 x AA (1.5V) By Others 1 x (9V) battery By Others
Detection Range	5-1/2" ± 25/32" [140 ± 20 mm] Adjustable
Room Temperature	41°F ~ 104°F (5°C ~ 40°C)
Sensing Delay Time	0.5 ~ 1 sec
Soap Volume Preset	0.04 ± 0.01 fl oz (1.0 ~ 1.5 ml)
Applicable Liquid Soap Viscosity	1 ~ 3500 cP (mPa · s)
Applicable pH	5 - 9
Ingress Protection	IP X3

2. Item List :

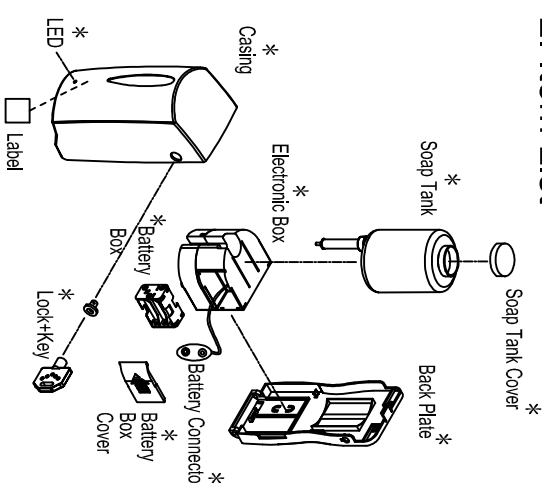
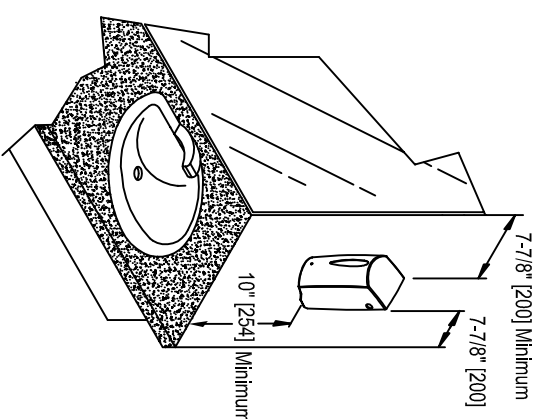


Illustration	Description	Qty	Illustration	Description	Qty
	Key	1		Plastic Anchor	4
	Installation Instructions	1		Mounting Screw	4
	Installation Template	1		Lock	1
	Soap Dispenser	1 Set		Label	1

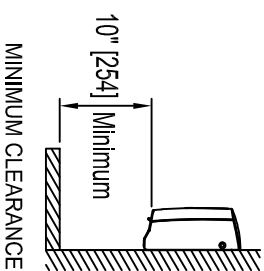
*ITEMS ALL INCLUDED IN ITEM ④

3. Standard Installation :

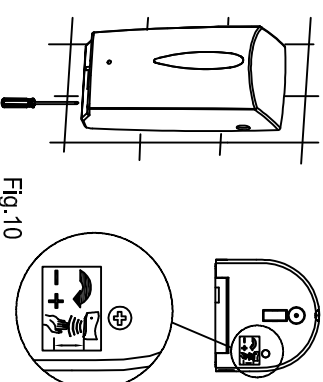


4. Before Installation :

1. Check if surface of wall is smooth and clean.
2. Note the distance between two dispensers or from wall must be $\geq 7-7/8"$ [200].
3. Make sure there are no obstructions below unit.



7. Adjustment of Sensor :



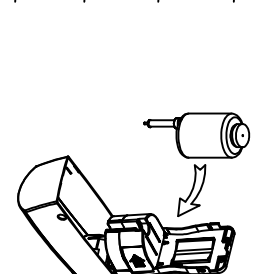
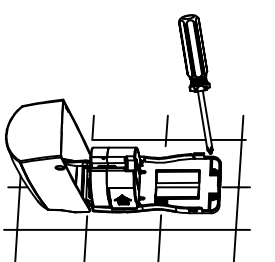
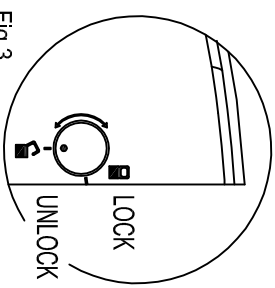
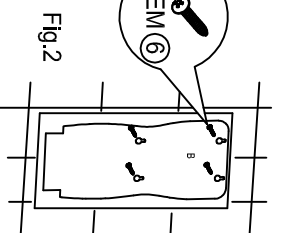
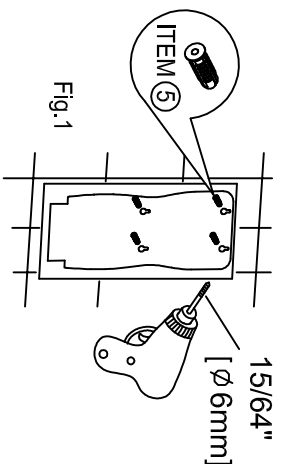
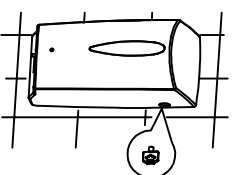
- The sensing distance is factory set.
- If adjustment is necessary, proceed as follows:
Use small Phillips-head screwdriver. Insert into small hole at the bottom of the dispenser as shown in Fig. 10.
- Turn clockwise to increase the sensing distance and counter-clockwise to reduce it.
- Do not apply excessive force!

8. Important Notice :

1. Ensure no bright light source is aimed or reflected at the sensor from below.
2. Use fresh new liquid soap only and clean the soap container properly before each re-fill. Deposits of old soap will lead to malfunction and jamming.
3. Do not dilute liquid soap unless concentrate and do not use soap containing abrasives. Observe indicated viscosity factor of liquid soap.
4. Do not immerse the soap dispenser in water or clean it under running water. This will lead to short circuit.
5. Should the dispenser be out of order and batteries have been replaced, do not attempt any repair work. Call your dealer for professional assistance.

5.A Installation Steps - Wall Mounting :

1. Tape the installation template at appropriate location on the wall.
2. Drill four holes 15/64" [ø6mm]. Insert plastic anchors. (Fig. 1)
3. Insert four screws into anchor, and partially screw in. (Fig. 2) Remove the template.
4. Use key to unlock and remove the soap dispenser casing. (Fig. 3)
5. Remove soap container.
6. Hang soap dispenser on the screws.
7. Tighten the screws. (Fig. 4)
8. Put soap tank back into housing and close casing. (Fig. 5)
9. Use key to lock casing. (Fig. 6)
10. Clean back of unit back plate and front of stand universal mounting plate with isopropanol. Adhere tape strips onto unit back as shown in enhanced stand installation details provided with FS-0300.
11. Open dispenser housing and remove and retain tank (same as in step 5.A.5, above).
12. Hold dispenser straight and press against universal mounting plate of stand. Follow enhanced instructions provided with FS-0300.
13. Allow tape to cure for 24 hours before reinstalling filled tank.
14. Follow steps 5.A.8 and 5.A.9 (above)



5.B Installation Steps - Stand Mounting :

(See Stand Installation Diagram Supplied With Stand FS-0300)

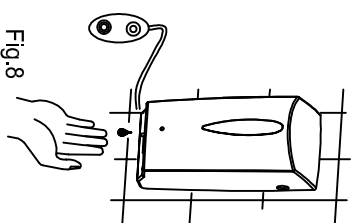
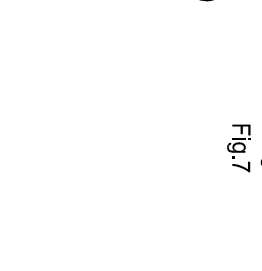
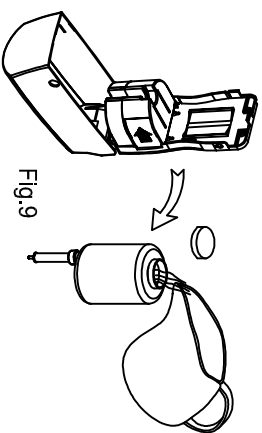
6. Operation Instructions :

A. Service Instructions

1. Open casing with included key.
 2. Remove cover from battery box, put the 6 Alkaline AA 1.5V batteries into the battery carrier (or connect a 9V cell), put carrier (or connected 9V cell) back into box casing and close with cover. (Fig. 7)
 3. Remove soap container, open it and pour liquid soap into container. Close properly. Should any soap spill over the outside of the tank, clean it thoroughly. Replace clean soap container into original position, close casing and lock it.
 4. Wait 5 seconds, then place your hand under dispenser. The LED will turn on and the dispenser will release a portion of liquid soap.
 5. When used the first time, repeat step 4 a few times to fill the system.
 6. For refilling liquid soap into the container, always remove the container completely from the housing and fill it. NEVER fill when container is still in the dispenser housing. (Fig. 9)
 7. Once batteries are installed and casing is closed, a red LED light will flash 4 times to indicate normal function.
- If casing is re-closed within 40 sec, LED will not flash.

B. Users Instructions

1. Put palm of your hand below the dispenser. The sensor will activate and the motor will pump 0.04 ± 0.01 fl oz (1.0 ~ 1.5 ml) of liquid soap.
2. If you need more soap, repeat step 1 a few times, waiting at least 1 sec before you replace your hand under the unit. Do not scoop soap from the nozzle as this may lead to damage. (Fig. 8)



9. Troubleshooting :

Problem	Solution
LED does not indicate	- Check batteries and ensure they are new and properly inserted. - Check sensor cover for stain. Clean unit properly. - Check sensor distance. If adjustment is necessary refer to Parts 3, 4 & 7.
LED flashes when unit is not used	- Low voltage: exchange batteries. (Fig. 7) - Sensor is activated constantly. - Remove the object below the sensor. - If above does not help, return the unit to your dealer for professional assistance.
No soap discharges when motor works	- Obstructed soap dispenser nozzle. Clean soap container or exchange it. - Check if soap is not liquid enough or tank is empty. (viscosity as per specification)
Insufficient soap is released	- Soap has hardened: use unit for several times or remove soap container and wash it thoroughly and refill with new soap. - Soap nozzle is obstructed: wash soap container and use unit continuously until normal quantity is dispensed.

For all other inquiries call your dealer for technical assistance.