



AMERICAN SPECIALTIES, INC.

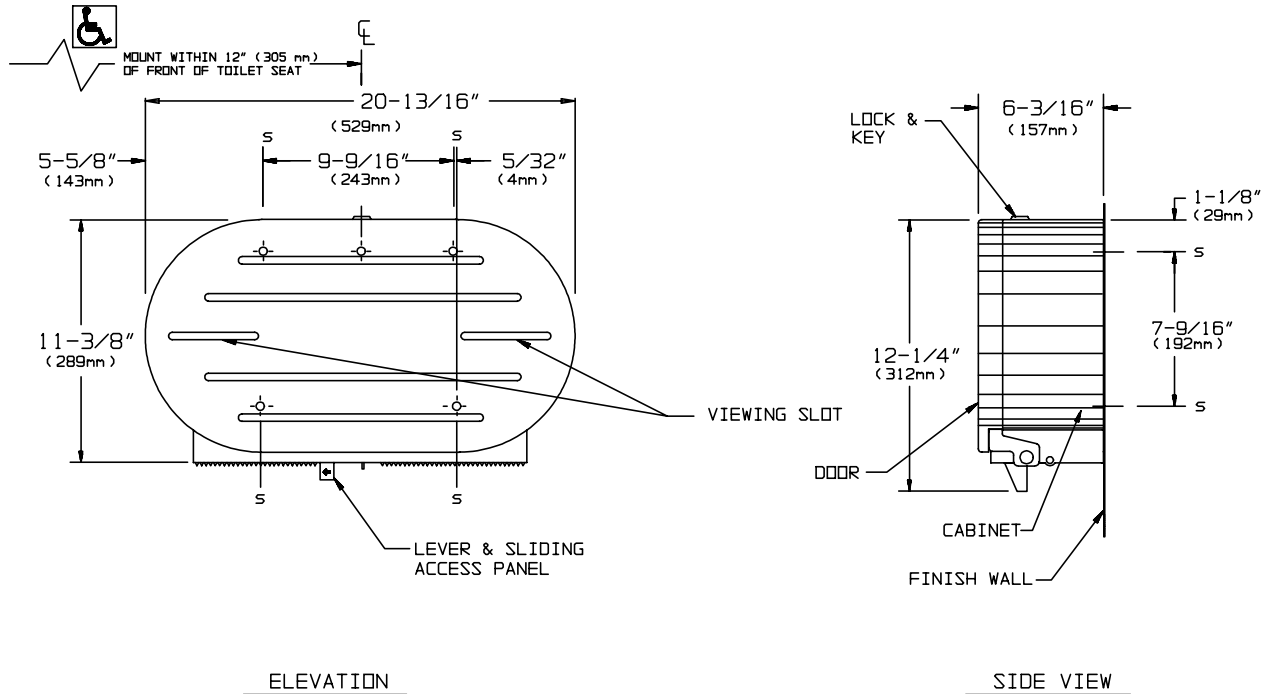
441 Saw Mill River Road, Yonkers, NY 10701 (914) 476-9000

MODEL No: 0040

ISSUED: 1-87

REVISED: 8-04

SURFACE MOUNTED JUMBO-ROLL TOILET TISSUE DISPENSER



ELEVATION

SIDE VIEW

SPECIFICATION

Surface Mounted Jumbo - Roll Toilet Tissue Dispenser shall hold two (2) 9" (229mm) dia. rolls of 3" (76mm) dia. or 2-1/4 (57mm) dia. core tissue. Unit cabinet, door and mounting plate shall be fabricated of alloy 18-8 stainless steel, type 304, 18 gauge with a N°4 satin finish and shall be protected during shipment with a PVC film easily removable after installation. Door shall be of drawn one piece seamless construction with integral rigidizing ribs and shall be provided with two (2) tissue level viewing slots. Door shall be hung on heavy duty stainless steel pivot hinges and shall be held closed by a tumbler lock keyed to other ASI washroom equipment. Dispensing mechanism shall be fabricated of high impact chemical and flame retardant ABS. Unit shall accommodate smaller core size rolls by removing the core adapters. When one roll is depleted, other roll shall be selected by shifting over panel lever at bottom of unit. Unit shall automatically reset to first roll during maintenance access.

Surface Mounted Jumbo - Roll Toilet Tissue Dispenser shall be Model N° 0040 as manufactured by American Specialties Inc., 441 Saw Mill River Road, Yonkers, New York 10701-4913

INSTALLATION

For general utility surface mount unit within 12" (305mm) of front of toilet from center line and 31" (787mm) above finished floor (AFF) from bottom of unit with five (5) screws (supplied) through mounting holes provided. For compliance with ADA Accessibility Guidelines install unit so that centerline of farthest roll or leading edge of first roll, whichever is farthest, is no farther than 36" (914mm) from back wall behind commode and centerline of rolls is 19" (483mm) minimum above finished floor (AFF) to 44" (1118mm) max. AFF.

OPERATION

Two (2) 9" (229mm) OD jumbo rolls of toilet tissue are mounted over 3" (76mm) ID core adapters. Two (2) 2-1/4" (57mm) ID core rolls may be used by removing the core adapters. Whenever one roll of toilet tissue is depleted, the other roll is selected by shifting over the lever at the bottom of the unit. Viewing slots continuously reveal tissue level. Keylocked door prevents unauthorized access or removal. Tissue supply is replenished on a cycle determined by maintenance needs.

Accessory Specialties

AMERICAN DISPENSER

Desert Ray Products

WATROUS INC.

THIS MANUFACTURER RESERVES THE RIGHT TO MAKE CHANGES IN DESIGN OR DIMENSIONS WITHOUT FORMAL NOTICE