



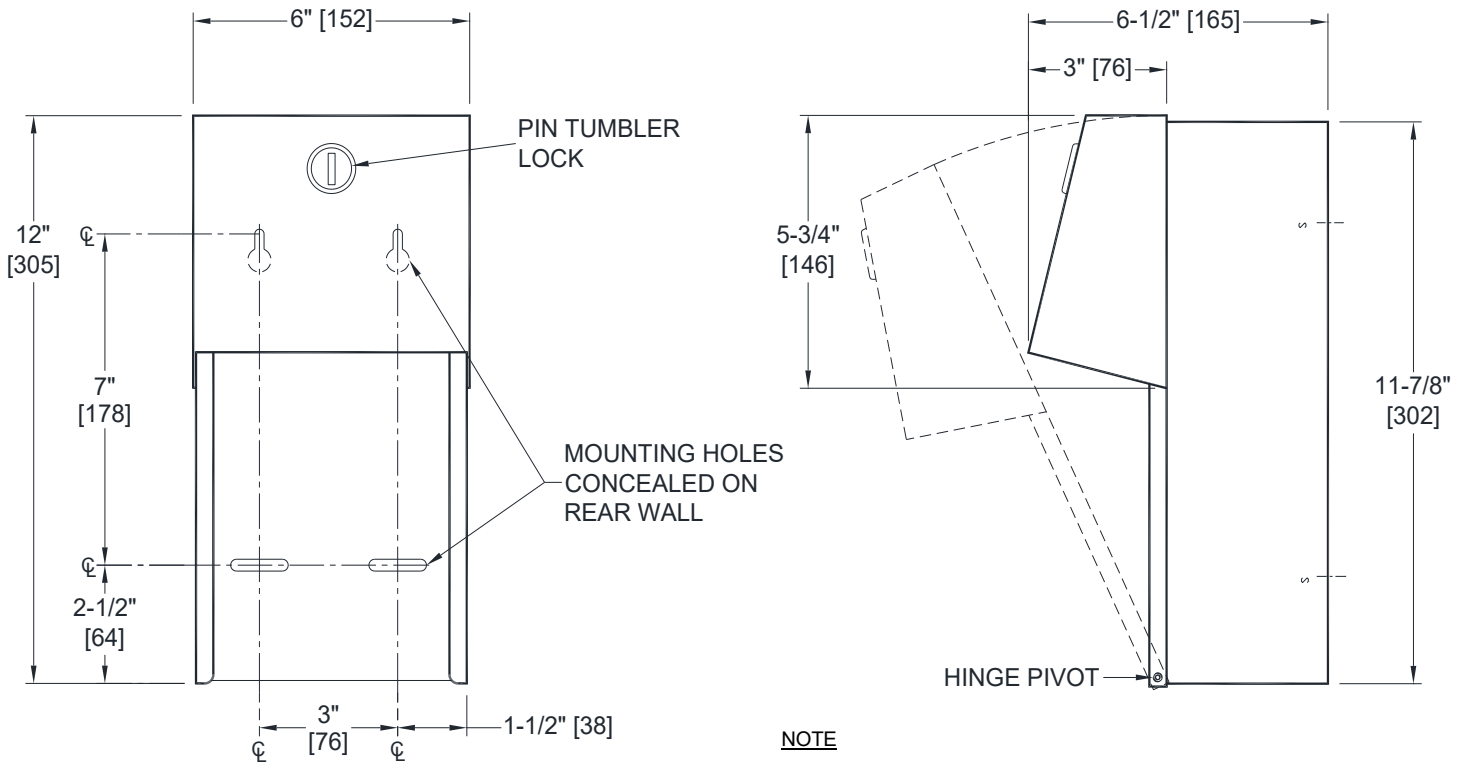
AMERICAN SPECIALTIES, INC.
 441 Saw Mill River Road, Yonkers, NY 10701
 (914) 476.9000 • (914) 476.0688
 www.americanspecialties.com

MODEL №: 0030

ISSUED: 01-87

REVISED: 18 JUL 2019

SURFACE MOUNTED TWIN HIDE-A-ROLL TOILET TISSUE DISPENSER



NOTE

ALL DIM'S INCH [MM]

ILLUSTRATION FOR REF ONLY AND NTS

FOR CLEANING INSTRUCTIONS SEE APPROPRIATE SECTIONS IN PRODUCT CARE & MAINTENANCE BULLETIN (PCM) ON ASI WEBSITE

SPECIFICATION

Surface Mounted Twin Hide-A-Roll Toilet Paper Dispenser shall hold and dispense two (2) standard or two (2) 5-1/4" Dia [Ø133] 1800 sheet tissue rolls and shall have door of 18 gage [1,3] type 304 stainless steel alloy 18-8. Cabinet body and dispensing mechanism shall be 22 gage [0,8] same grade. All exposed surfaces shall be satin finish and be protected during shipment with PVC easily removable after installation. Internal mechanism levers shall be molded high-impact resistant plastic for smooth operation. Structural assembly of body and door components shall be of welded construction. Door hinge shall be heavy-duty stainless steel 3/16" Dia [Ø4,8] rivets. Door shall be held closed with a tumbler lock keyed alike to other ASI washroom equipment. Cabinet shall include two (2) theft and vandal resistant rollers (p/n R-004) that are molded high-impact resistant plastic with integral molded-in plated steel endpins.

Surface Mounted Twin Hide-a-Roll Toilet Paper Dispenser shall be Model № 0030 of American Specialties, Inc. 441 Saw Mill River Road Yonkers, New York 10701-4913

INSTALLATION

Unit is surface mounted on wall or partition using four (4) 1/4" x 1" [M6 x 25] Philips pan-head self-threading screws (by others) through slots on rear wall into suitable wall preparation (by others). Top two (2) mounting holes through back are "keyhole" slots for ease in hanging unit on pre-installed screws. Bottom two (2) mounting holes are horizontal slots for ease of adjustment. For compliance with 2010 ADA Accessibility Standards and 2015 ABA Standards install unit with axis of bottom roller 15" [381] min AFF (Above Finished Floor) to 48" [1219] max AFF and centerline of dispenser shall be 7" [178] min to 9" [229] max.

OPERATION

Reloading instructions are printed on graphic label inside door. Bottom roll is depleted prior to top roll automatically dropping into lower position for use. Empty rollers cannot be removed without key unlocking door.